



US00D591925S

(12) **United States Design Patent**
Roesch, Jr.

(10) **Patent No.:** **US D591,925 S**

(45) **Date of Patent:** **** May 5, 2009**

(54) **COIN DISPLAY BOOK**

D570,075 S * 5/2008 Wood et al. D99/34

(76) Inventor: **Robert L. Roesch, Jr.**, 126 Twin Mountain Rd., Whitefield, NH (US) 03598

* cited by examiner

(**) Term: **14 Years**

Primary Examiner—Robert M Spear
Assistant Examiner—Susan E Krakower
(74) *Attorney, Agent, or Firm*—Daniels Patent Law PLLC; Scott A. Daniels

(21) Appl. No.: **29/281,356**

(57) **CLAIM**

(22) Filed: **Jun. 21, 2007**

I claim the ornamental design for a coin display book, as shown and described.

(51) **LOC (9) Cl.** **03-01**

(52) **U.S. Cl.** **D99/34**

(58) **Field of Classification Search** D99/34-43, D99/99; D21/512; 232/4 R; 206/0.81-0.82, 206/0.83-0.84, 391, 486, 472; 281/15.1, 281/38; D6/300-301; 40/537; 229/92.9
See application file for complete search history.

DESCRIPTION

(56) **References Cited**

U.S. PATENT DOCUMENTS

618,497 A *	1/1899	Crabb	229/92.9
1,419,065 A *	6/1922	Lichter	232/5
D71,074 S *	9/1926	Moreland	D19/29
D71,153 S *	9/1926	Moreland	D19/31
1,719,962 A *	7/1929	Beistle	206/0.8
2,860,774 A *	11/1958	Ball	206/0.84
3,217,866 A *	11/1965	Phelps	206/0.83
3,348,763 A *	10/1967	Weston	229/92.9
3,487,919 A *	1/1970	Cowles et al.	206/391
D240,816 S *	8/1976	Peterson	D19/33
D242,960 S *	1/1977	Stanley	D99/34
4,429,787 A *	2/1984	Morse	206/0.83
5,069,261 A	12/1991	Ji		
5,119,574 A	6/1992	King		
5,191,972 A	3/1993	Helzer et al.		
5,752,336 A *	5/1998	Haynes	40/323
D450,346 S	11/2001	Hiller		
6,453,592 B1 *	9/2002	Pliler et al.	40/776
6,607,075 B1	8/2003	Galvani		
D503,025 S	3/2005	Taylor		

FIG. 1 is a perspective view of a first embodiment of a coin display book, in a closed configuration;

FIG. 2 is a front elevational view thereof, in a closed configuration;

FIG. 3 is a rear view thereof, in a closed configuration;

FIG. 4 is a left side elevational view thereof, in a closed configuration;

FIG. 5 is a right side elevational view thereof, in a closed configuration;

FIG. 6 is a top plan view thereof, in a closed configuration;

FIG. 7 is a perspective view thereof, in an open configuration;

FIG. 8 is a perspective view of another embodiment of a coin display book, in a closed configuration;

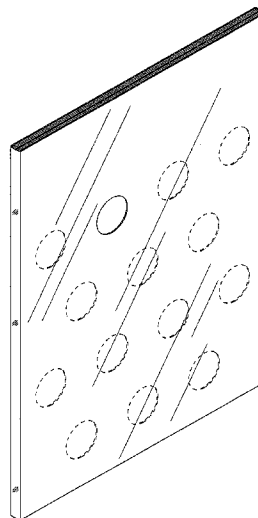
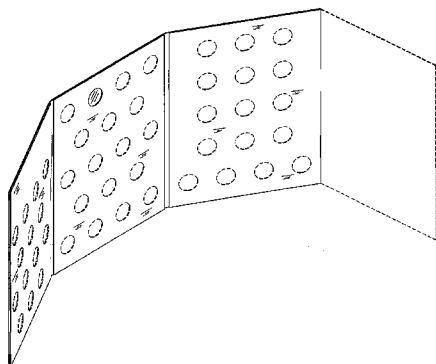
FIG. 9 is a front elevational view thereof, in a closed configuration;

FIG. 10 is a rear elevational view thereof, in a closed configuration; and,

FIG. 11 is a left side elevational view thereof, in a closed configuration.

The broken line showing of coin slots is included for the purpose of illustrating portions of the coin display book and forms no part of the claimed design.

1 Claim, 11 Drawing Sheets



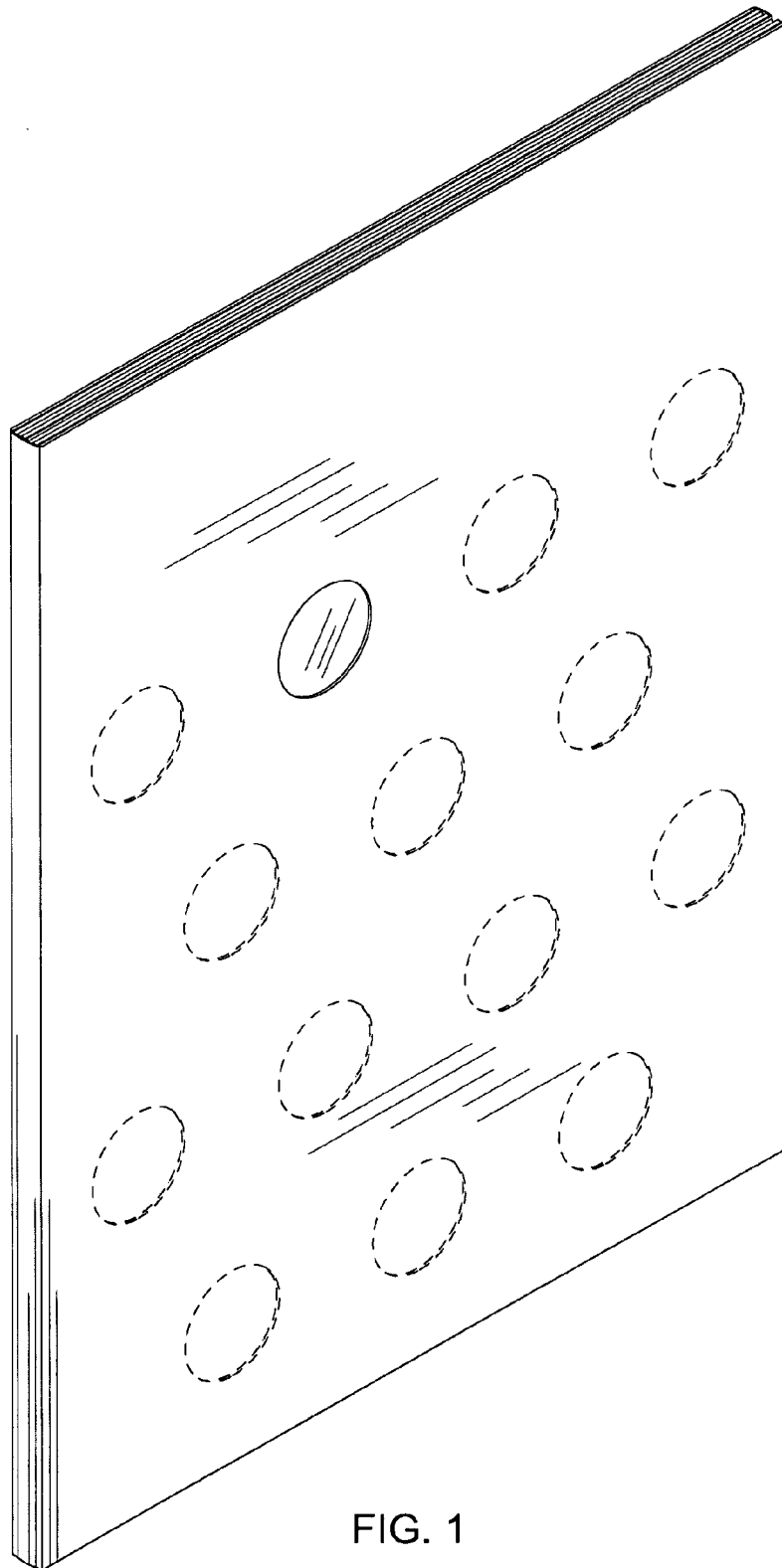


FIG. 1

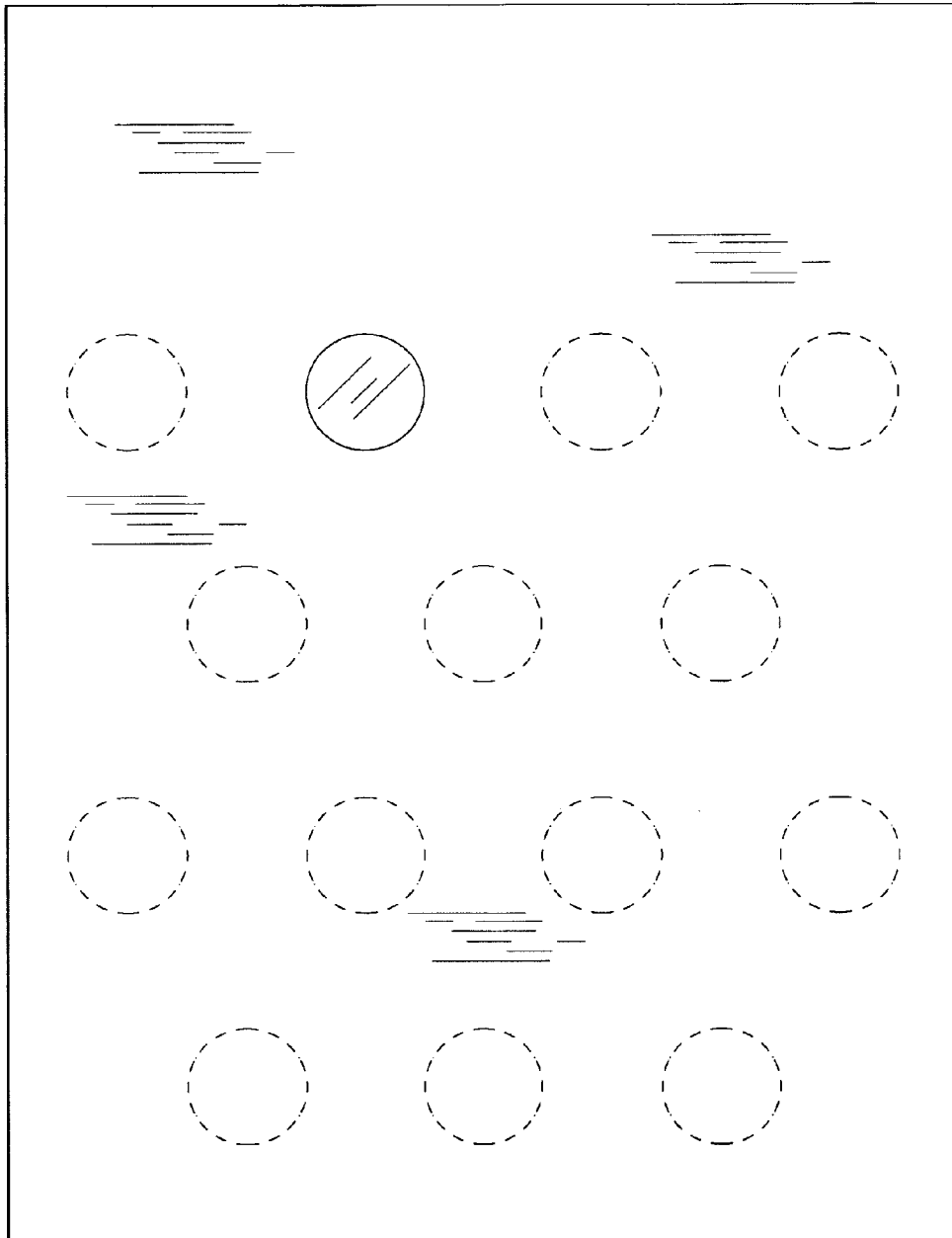


FIG. 2

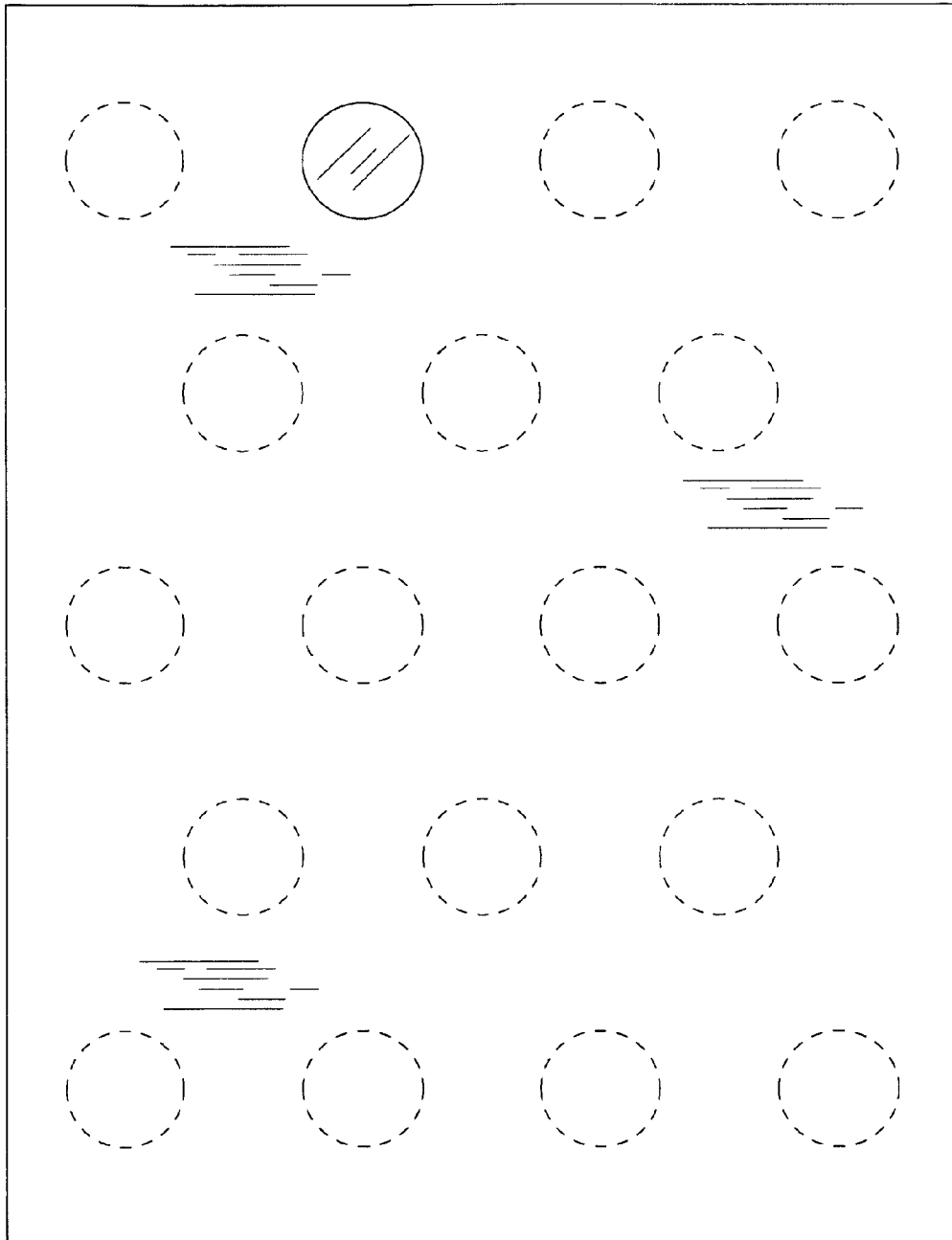


FIG. 3

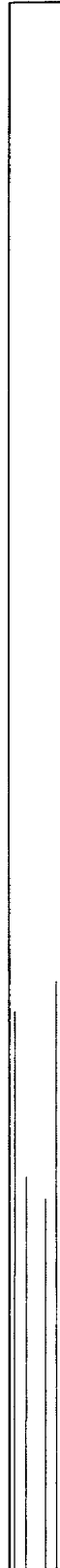


FIG. 4



FIG. 5



FIG. 6

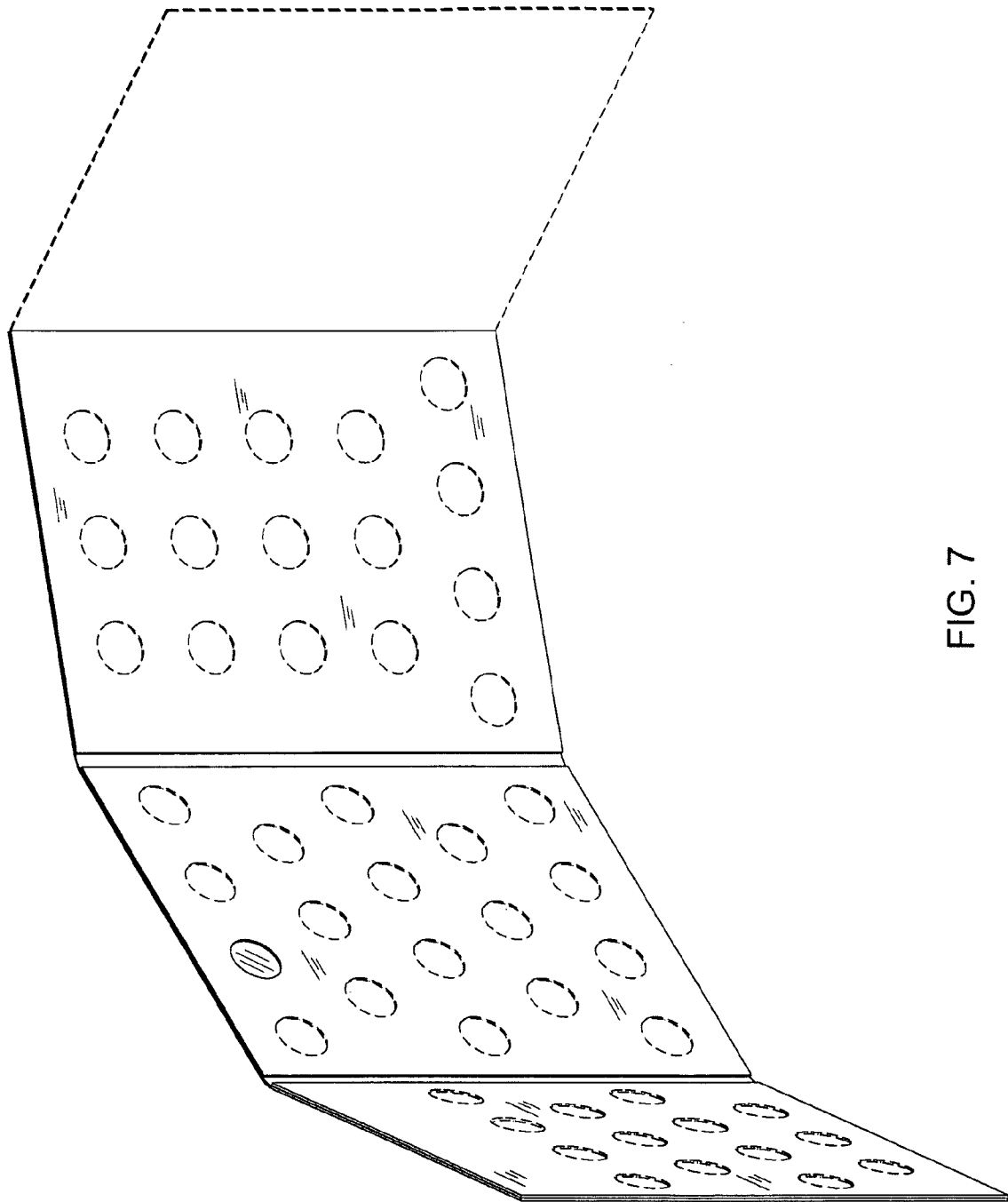


FIG. 7

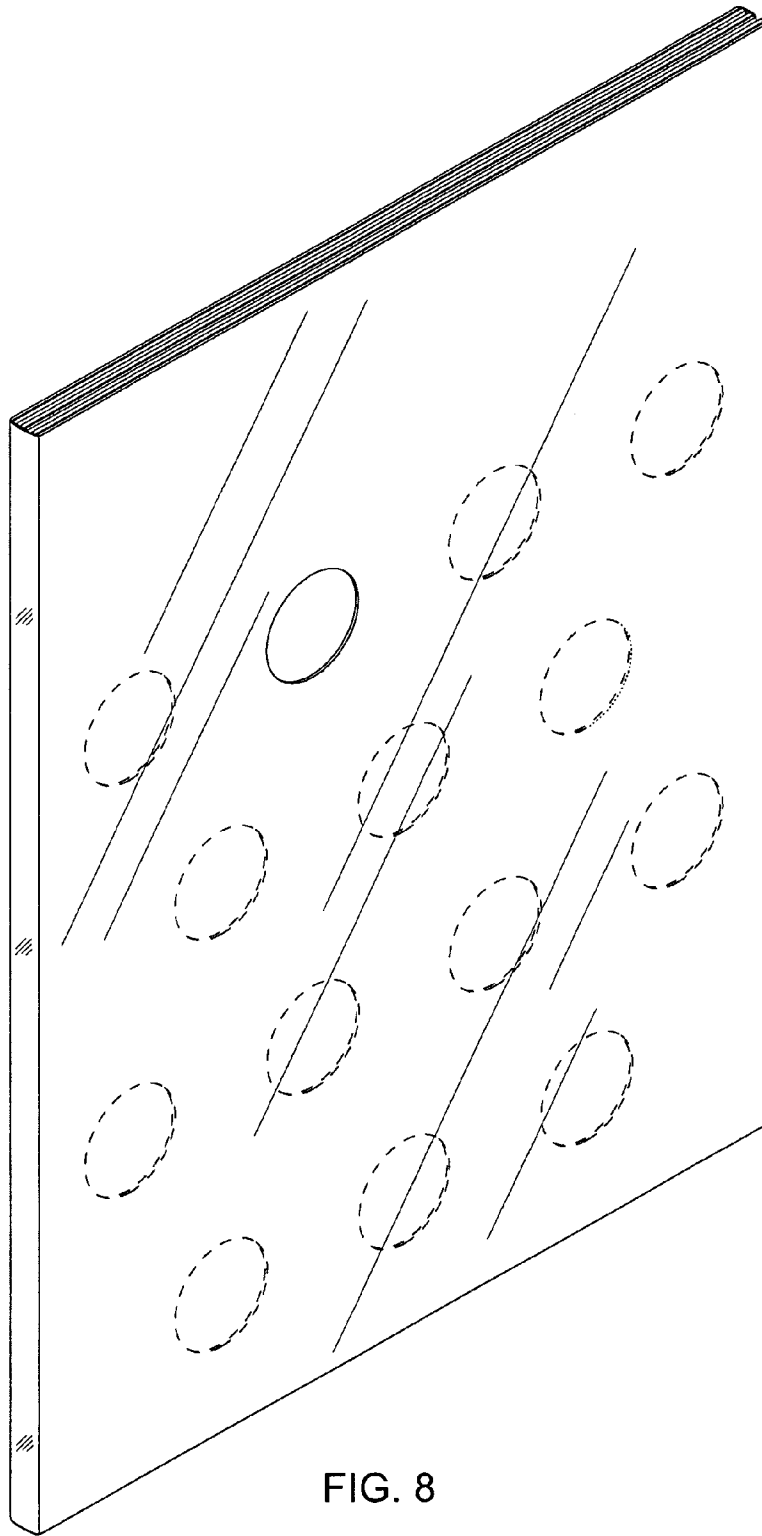


FIG. 8

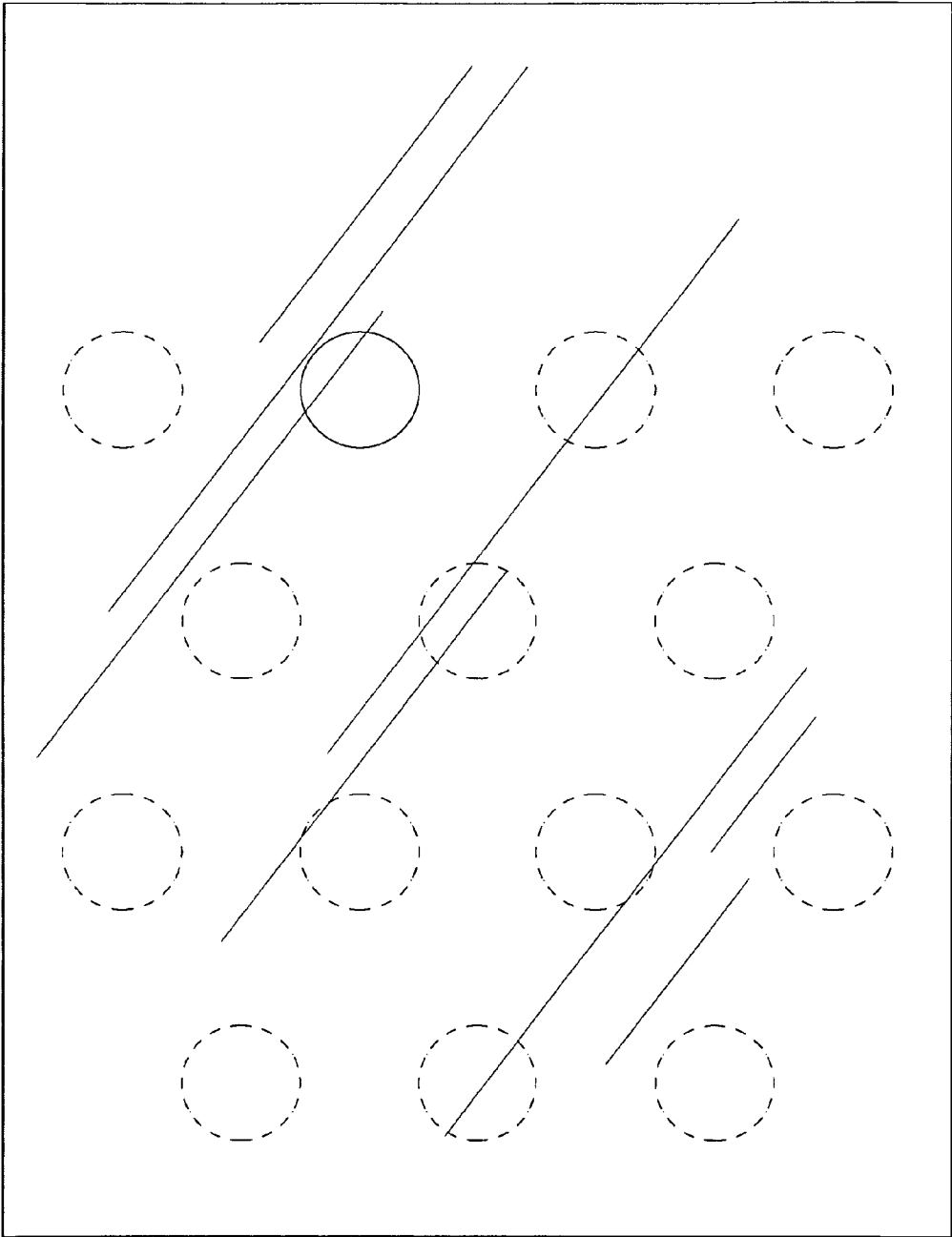


FIG. 9

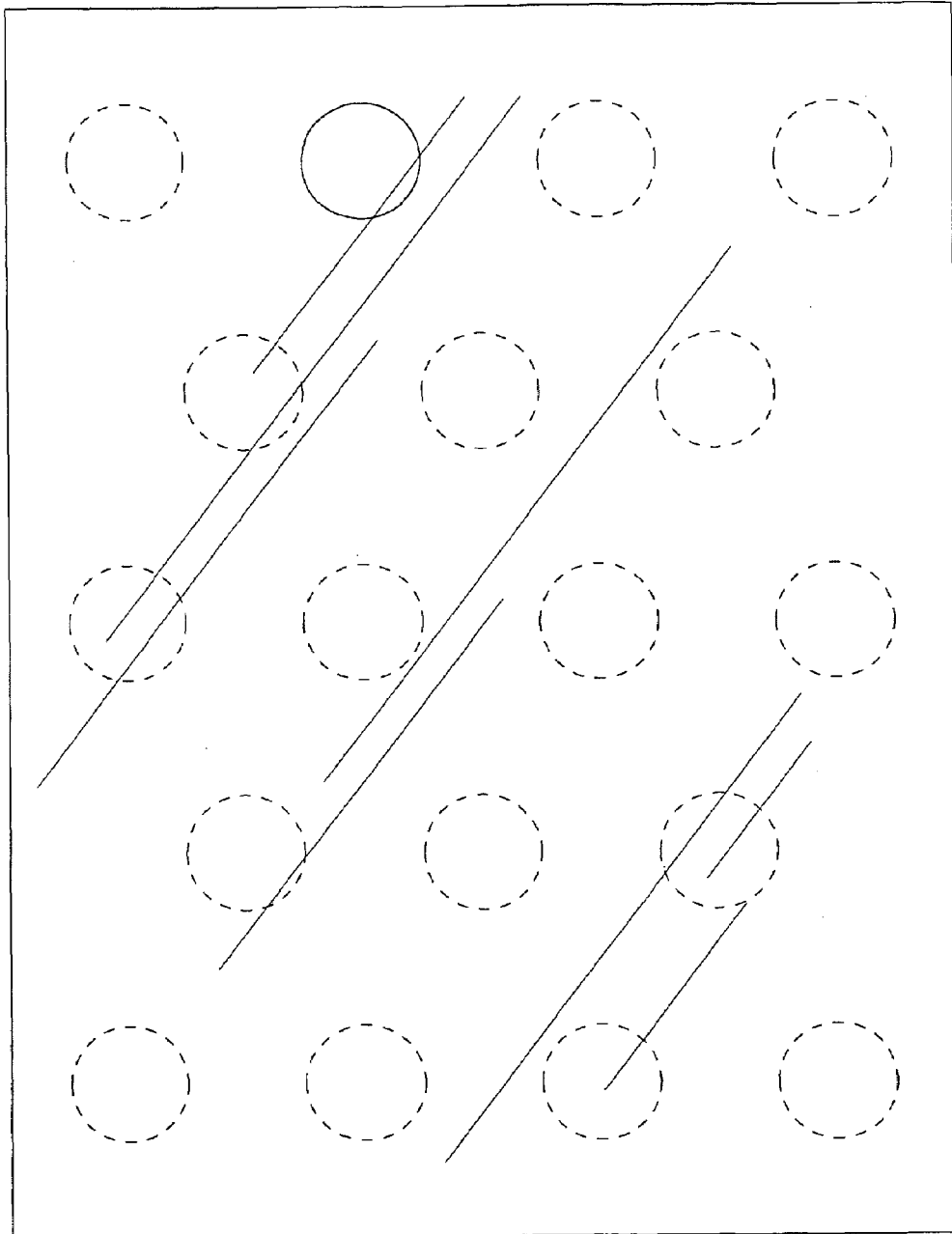


FIG. 10

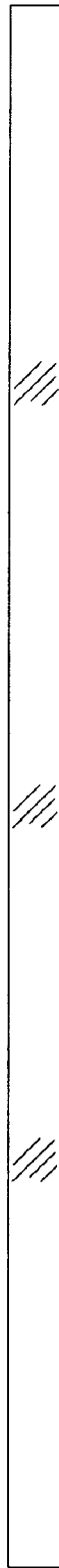


FIG. 11