

176,389

ELECTRIC SAUCE PAN

John P. Theisen, Jacksonville, Ill., assignor to New York Shipbuilding Corporation, New York, N. Y., a corporation of New York

Application September 9, 1954, Serial No. 32,227

Term of patent 14 years

(Cl. D81—10)

Fig. 1.

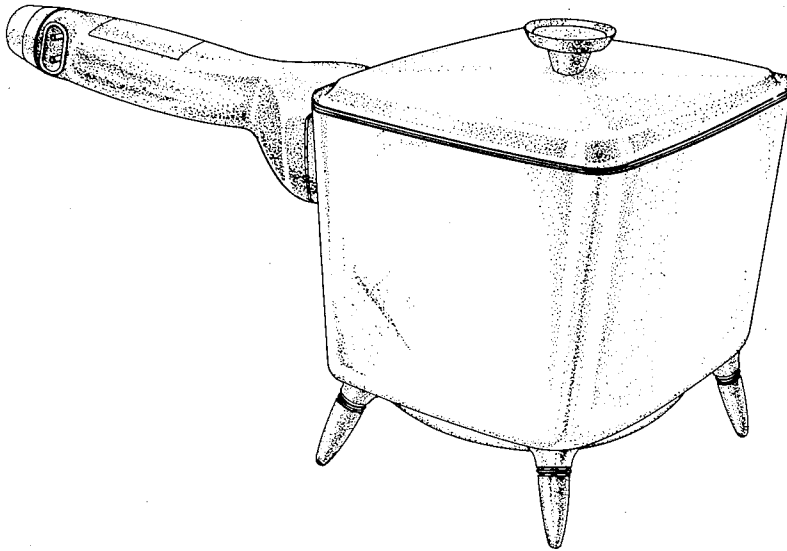
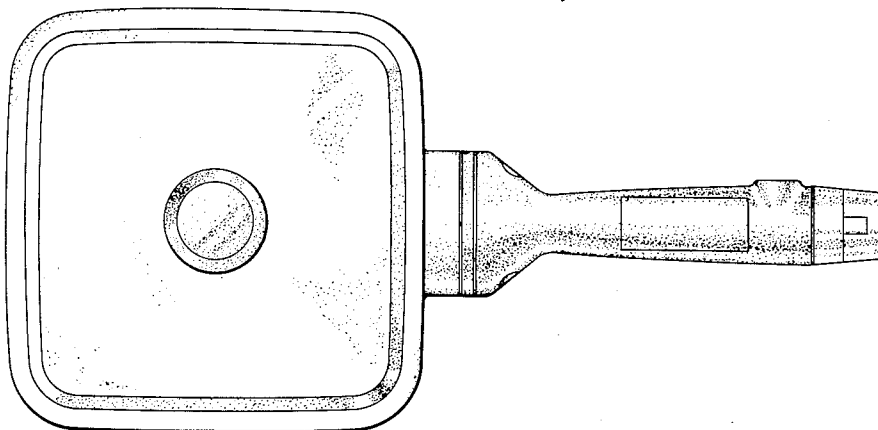


Fig. 2.



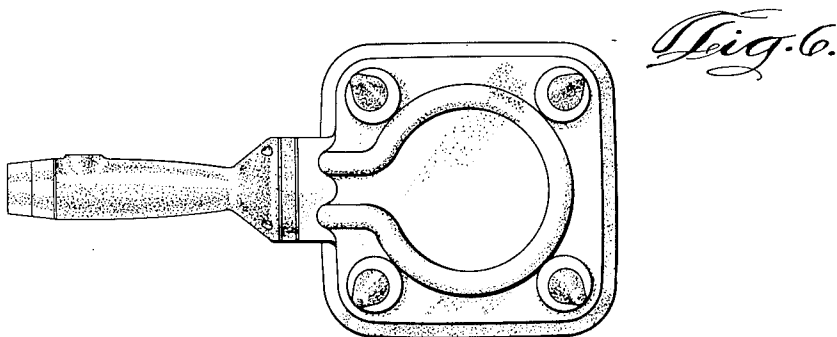
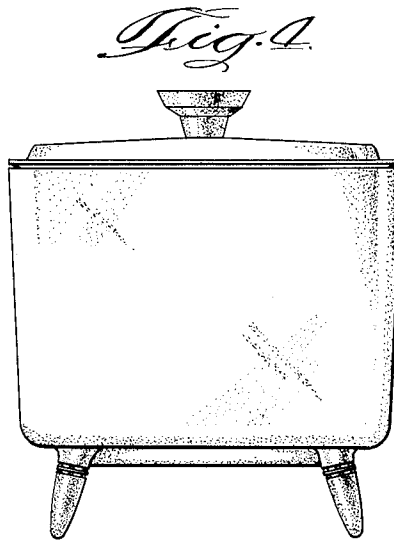
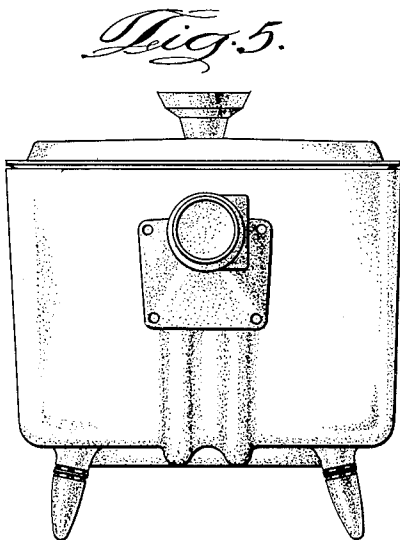
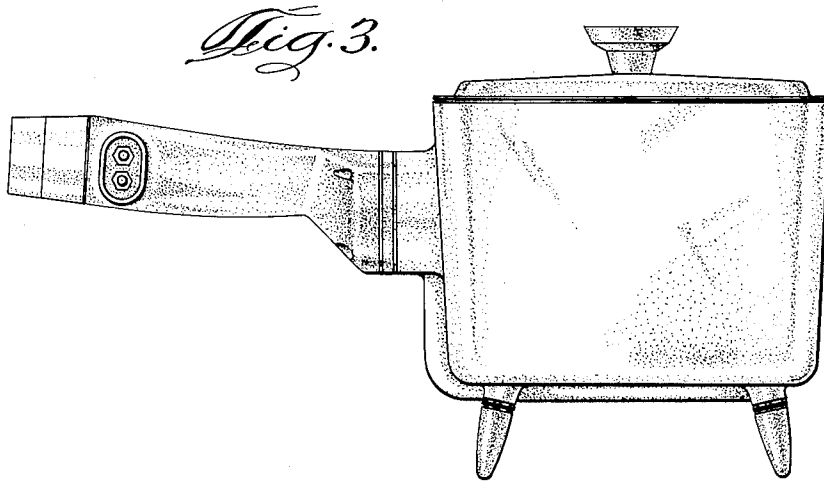


Figure 1 is a perspective view of an electric sauce pan embodying my new design;
Figure 2 is a top plan view thereof;
Figure 3 is a side elevation;
Figure 4 is a front view;
Figure 5 is a rear view; and
Figure 6 is a reduced bottom plan view thereof.

I claim:

The ornamental design for an electric sauce pan, substantially as shown.

References Cited in the file of this patent

UNITED STATES PATENTS

D. 147,937	Wemyss	Nov. 18, 1947
D. 168,291	Diamond	Dec. 2, 1952
D. 174,431	Jepson et al.	Apr. 12, 1955

OTHER REFERENCES

New York Times for August 1, 1948, page 22, Caserole with handle.
House & Garden, May, 1951, page 104, Griddle.