



(12) **United States Design Patent**  
**Yan**

(10) **Patent No.:** **US D994,182 S**  
(45) **Date of Patent:** **\*\* Aug. 1, 2023**

(54) **STROBE LIGHT**  
(71) Applicant: **RunAn Yan**, Huizhou (CN)  
(72) Inventor: **RunAn Yan**, Huizhou (CN)  
(\*\*) Term: **15 Years**  
(21) Appl. No.: **29/872,962**

D934,711 S \* 11/2021 Pan ..... D10/114.4  
D959,312 S \* 8/2022 Yuan ..... D10/114.4  
D966,906 S \* 10/2022 Qiu ..... D10/15

**FOREIGN PATENT DOCUMENTS**

CN 202030604425 \* 4/2021

**OTHER PUBLICATIONS**

ASPL Roof Top Strobe Lights, posted Jul. 30, 2019 [online], [retrieved May 7, 2023]. Retrieved from internet, <https://www.amazon.com.au/dp/B07VTMC2RL> (Year: 2019).\*  
Xprite Blue LED Strobe Lights Bar, posted Feb. 10, 2022 [online], [retrieved May 7, 2023]. Retrieved from internet, <https://www.amazon.com/dp/B09S5TD7FJ> (Year: 2022).\*

\* cited by examiner

*Primary Examiner* — Lakiya G Rogers  
*Assistant Examiner* — Michelle K. Lu

(57) **CLAIM**

The ornamental design for a strobe light, as shown and described.

**DESCRIPTION**

FIG. 1 is a front, bottom perspective view of a strobe light, showing my new design;  
FIG. 2 is a rear, top perspective view thereof;  
FIG. 3 is a front elevation view thereof;  
FIG. 4 is a rear elevation view thereof;  
FIG. 5 is a left side elevation view thereof;  
FIG. 6 is a right side elevation view thereof;  
FIG. 7 is a top plan view thereof; and  
FIG. 8 is a bottom plan view thereof.  
The broken lines in the figures illustrate portions of the strobe light that form no part of the claimed design.

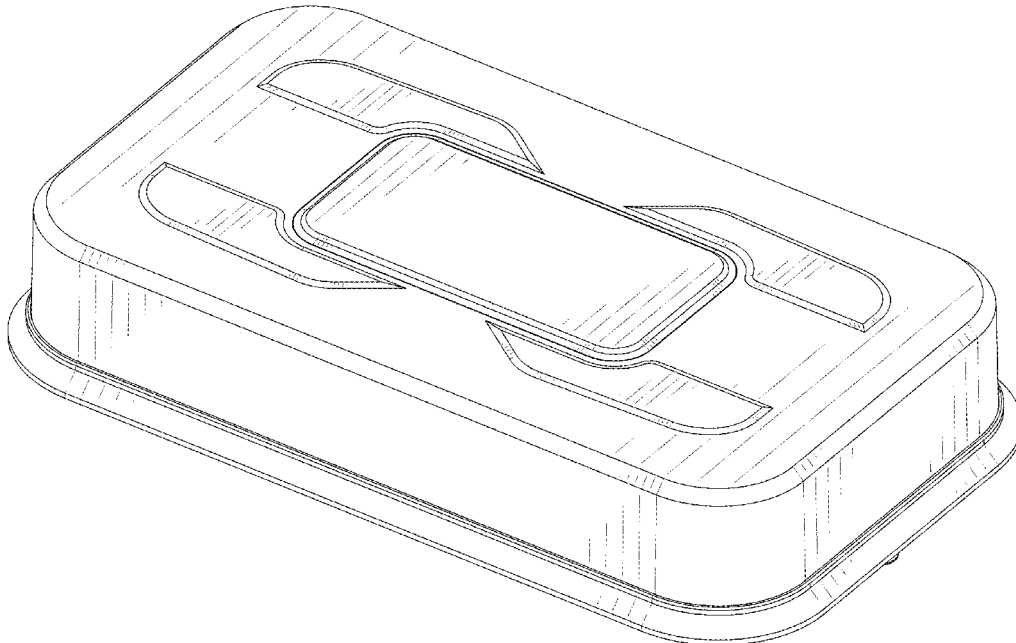
**1 Claim, 8 Drawing Sheets**

(22) Filed: **Mar. 22, 2023**  
(51) **LOC (14) Cl.** ..... **26-05**  
(52) **U.S. Cl.**  
USPC ..... **D26/72; D10/114.4**  
(58) **Field of Classification Search**  
USPC ..... D26/34, 51, 54, 72, 81–85, 93, 104;  
D10/5, 15, 114.1–114.4  
CPC .... F21S 8/03; F21S 8/033; F21S 10/00; F21S  
10/02; F21S 10/06; F21S 41/141; F21S  
43/243; F21S 43/245; F21W 2103/00;  
F21W 2103/30; B60Q 1/2611; B60Q  
1/2615  
See application file for complete search history.

(56) **References Cited**

**U.S. PATENT DOCUMENTS**

D477,104 S \* 7/2003 Wang ..... D26/85  
D489,466 S \* 5/2004 Dohogne ..... D26/28  
D519,394 S \* 4/2006 DiPasquale ..... D10/106.1  
D564,928 S \* 3/2008 Belitz ..... D10/114.4  
D644,136 S \* 8/2011 Cai ..... D10/114.4  
D644,137 S \* 8/2011 Cai ..... D10/114.4  
D647,418 S \* 10/2011 Miller ..... D26/24  
D663,227 S \* 7/2012 Andrew ..... D10/114.4  
D668,168 S \* 10/2012 Chen ..... D10/114.4  
D730,570 S \* 5/2015 Chen ..... D26/128  
D736,434 S \* 8/2015 Kuei-Lai ..... D26/28  
D809,170 S 1/2018 Marzynski



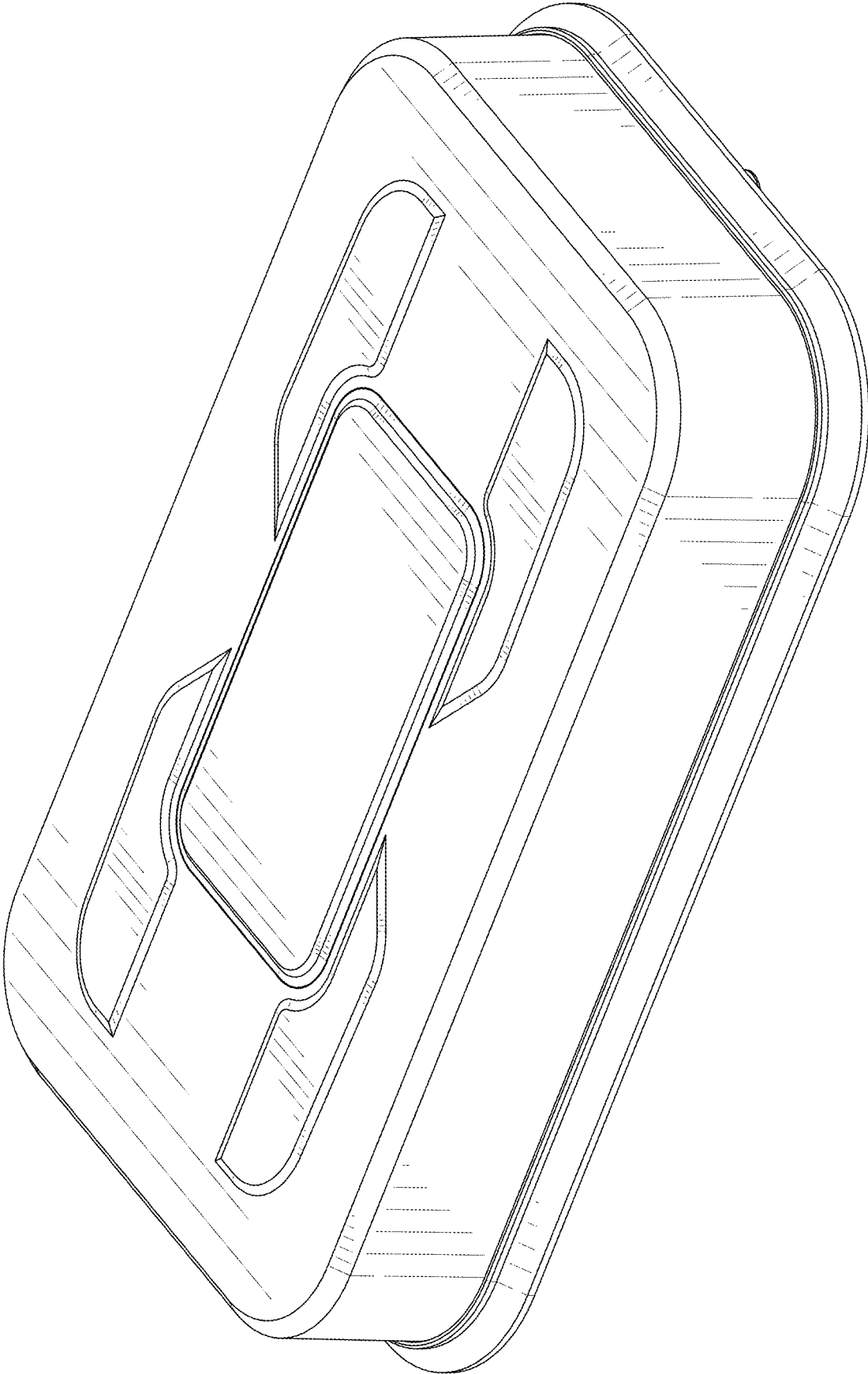


FIG. 1

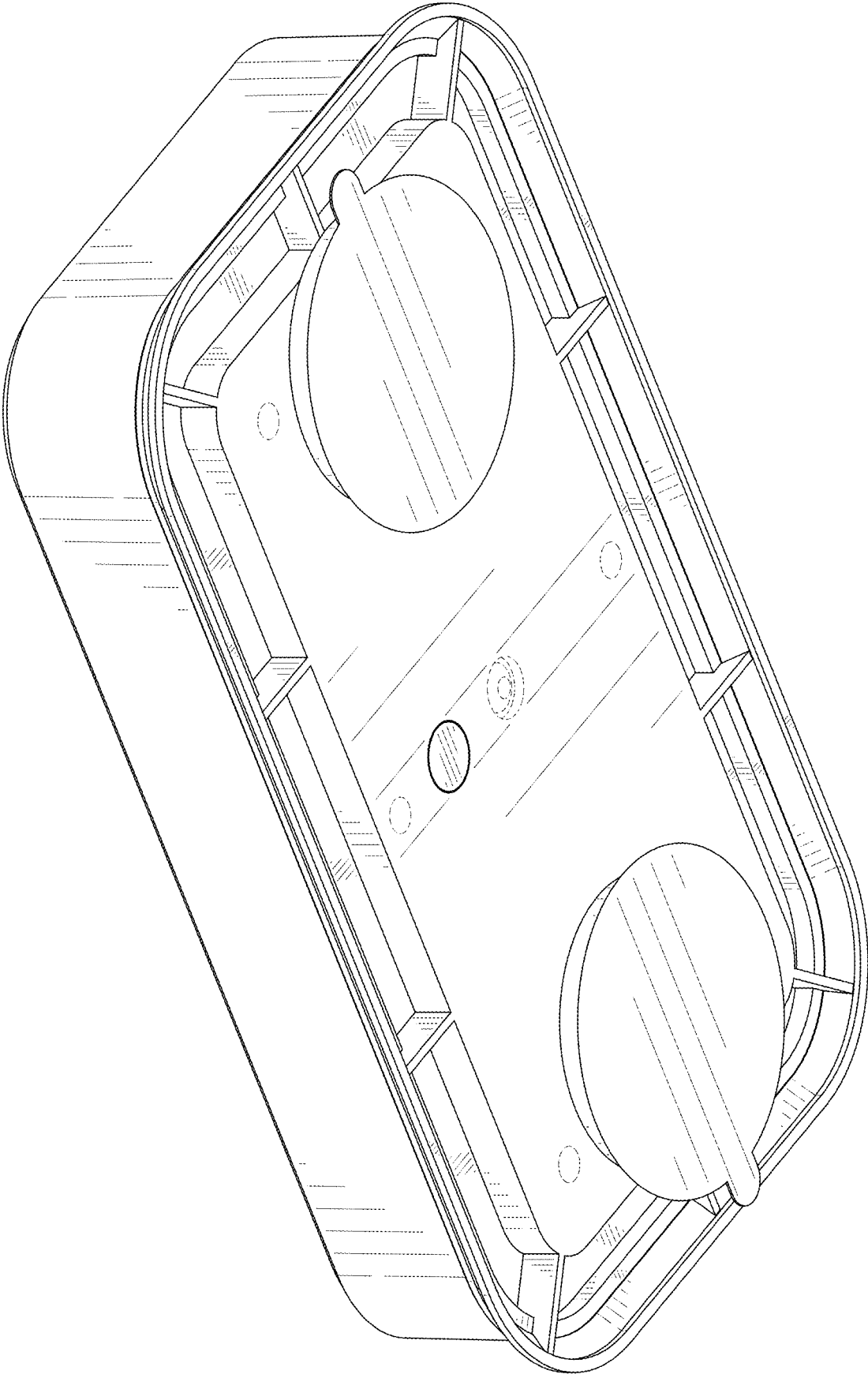


FIG. 2

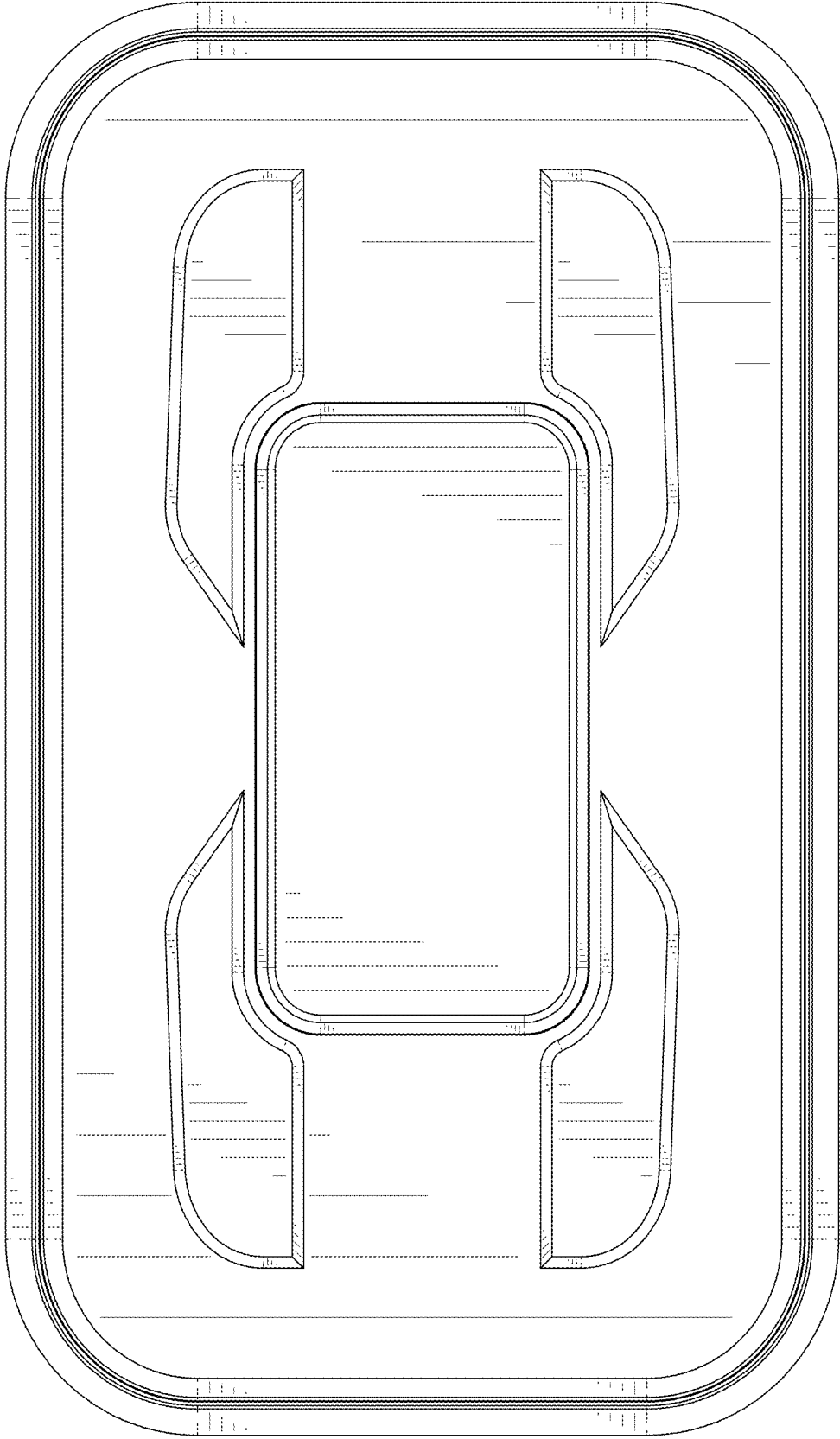


FIG. 3

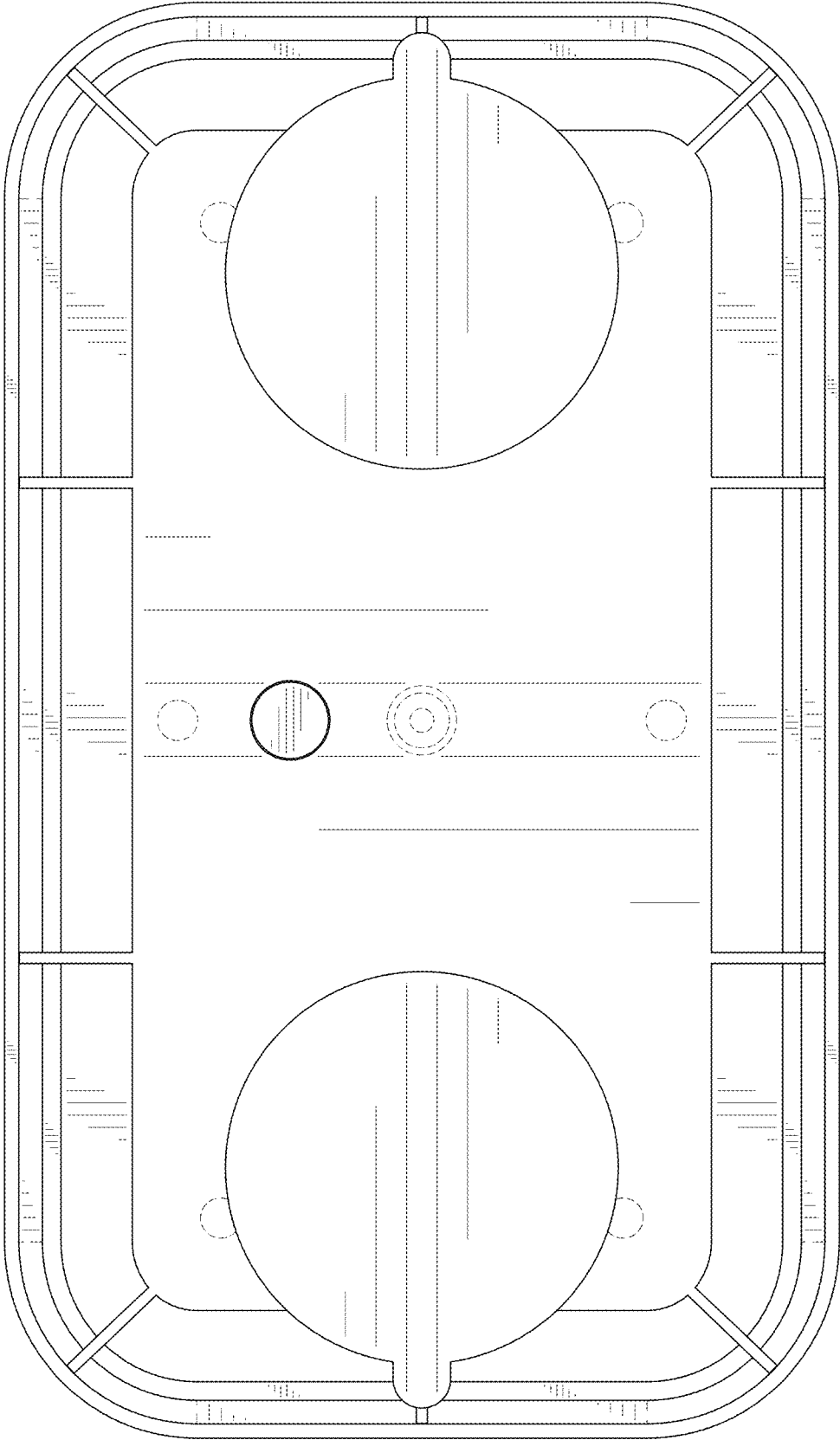


FIG. 4

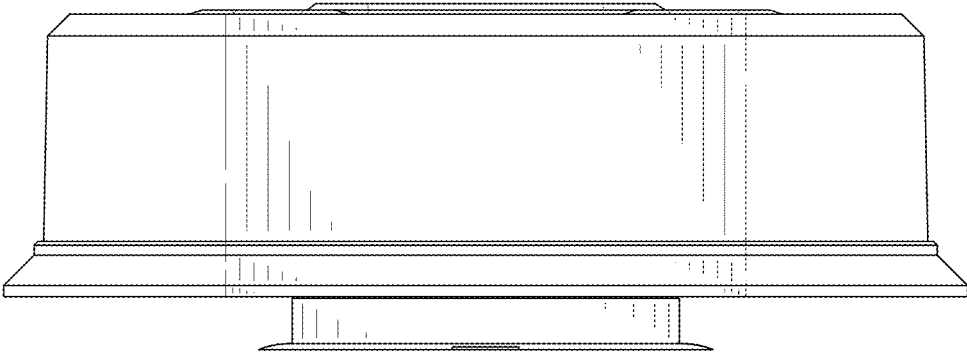


FIG. 5

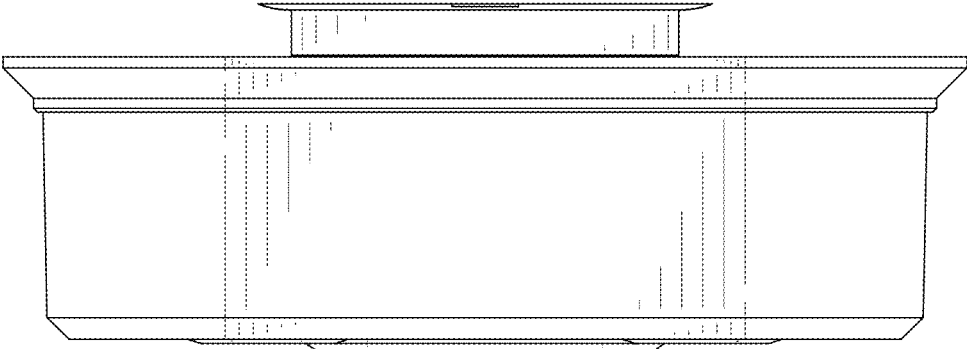


FIG. 6

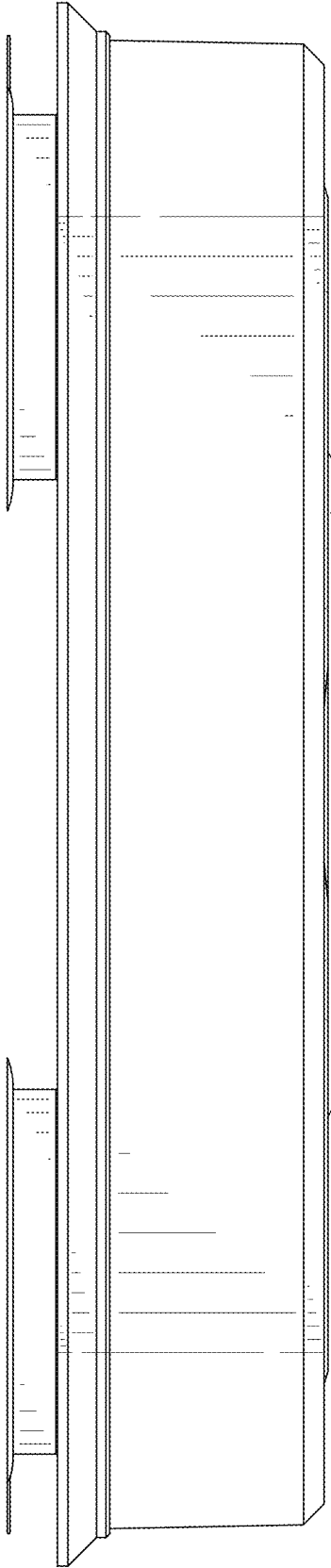


FIG. 7

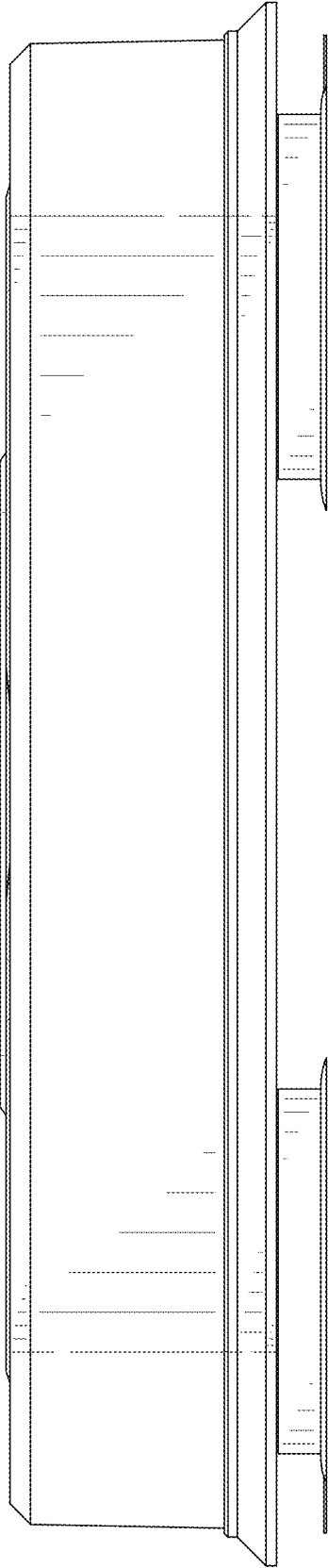


FIG. 8