

(19) World Intellectual Property
Organization
International Bureau



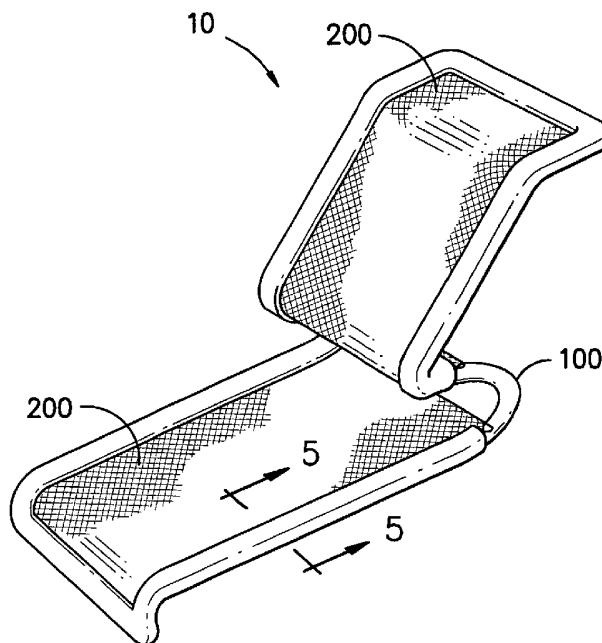
(43) International Publication Date
20 February 2003 (20.02.2003)

PCT

(10) International Publication Number
WO 2003/013899 A3

- (51) International Patent Classification⁷: A47C 7/00
- (21) International Application Number: PCT/US2002/019234
- (22) International Filing Date: 18 June 2002 (18.06.2002)
- (25) Filing Language: English
- (26) Publication Language: English
- (30) Priority Data:
09/905,850 13 July 2001 (13.07.2001) US
- (71) Applicant: MILLIKEN & COMPANY [US/US]; 920 Milliken Road, Spartanburg, SC 29303 (US).
- (72) Inventors: ZEILER, Bernhard; 127 Riveredge Drive, Moore, SC 29369 (US). GILLIG, Daniel P.; 5 Bushberry Way, Greer, SC 29650 (US).
- (74) Agent: BACON, Jeffery E.; Legal Department (M-495), 920 Milliken Road, Spartanburg, SC 29303 (US).
- (81) Designated States (*national*): AE, AG, AL, AM, AT, AU, AZ, BA, BB, BG, BR, BY, BZ, CA, CH, CN, CO, CR, CU, CZ, DE, DK, DM, DZ, EC, EE, ES, FI, GB, GD, GE, GH, GM, HR, HU, ID, IL, IN, IS, JP, KE, KG, KP, KR, KZ, LC, LK, LR, LS, LT, LU, LV, MA, MD, MG, MK, MN, MW, MX, MZ, NO, NZ, OM, PH, PL, PT, RO, RU, SD, SE, SG, SI, SK, SL, TJ, TM, TN, TR, TT, TZ, UA, UG, UZ, VN, YU, ZA, ZM, ZW.
- (84) Designated States (*regional*): ARIPO patent (GH, GM, KE, LS, MW, MZ, SD, SL, SZ, TZ, UG, ZM, ZW), Eurasian patent (AM, AZ, BY, KG, KZ, MD, RU, TJ, TM), European patent (AT, BE, CH, CY, DE, DK, ES, FI, FR, GB, GR, IE, IT, LU, MC, NL, PT, SE, TR), OAPI patent (BF, BJ, CF, CG, CI, CM, GA, GN, GQ, GW, ML, MR, NE, SN, TD, TG).
- Published:
— with international search report
- (88) Date of publication of the international search report:
26 February 2004
- For two-letter codes and other abbreviations, refer to the "Guidance Notes on Codes and Abbreviations" appearing at the beginning of each regular issue of the PCT Gazette.*

(54) Title: SLING SEATS UTILIZING ELASTOMERIC FABRICS

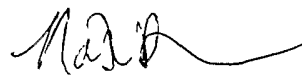


(57) Abstract: A sling seat (10) with a frame (100) and supports (200). The frame (100) is a tubular arcuate structure with a seat section (110) connected to a back section (120). The supports (200) include an open elastomeric face (210) that is disposed over the associated seat section (110) or back section (120).

WO 2003/013899 A3

INTERNATIONAL SEARCH REPORT

International application No.
PCT/US02/19234

A. CLASSIFICATION OF SUBJECT MATTER		
IPC(7) : A47C 7/00 US CL : 297/440.11		
According to International Patent Classification (IPC) or to both national classification and IPC		
B. FIELDS SEARCHED		
Minimum documentation searched (classification system followed by classification symbols) U.S. : 297/440.11, 452.38, 452.64, 452.2, 452.56		
Documentation searched other than minimum documentation to the extent that such documents are included in the fields searched		
Electronic data base consulted during the international search (name of data base and, where practicable, search terms used)		
C. DOCUMENTS CONSIDERED TO BE RELEVANT		
Category *	Citation of document, with indication, where appropriate, of the relevant passages	Relevant to claim No.
X --- Y	US 5,013,089 A (ABU-ISA et al) 07 May 1991 (07.05.1991), column 4, lines 1-15; column 5 lines 58-68; column 7, lines 65-67; column 8, lines 58-61.	1 and 5 ----- 2, 3, 4, 6, 7, 8, and 11-17
Y	US 5, 118, 162 A (SAUL) 02 June 1992 (02.06.1992), column 2, lines 37-50.	2, 3, 4, 6, 7, 8, and 11-17
X --- Y	US 5,116, 100 A (IVERSEN) 26 May 1992 (26.05.1992), column 2, lines 41-54; column 3, lines 7-11.	1, 2, 5, and 6 ----- 9, 10, 18, 19
Y	US 5, 560, 683 A (PENLEY et al) 01 October 1996 (01.10.1996), column 3, lines 50-67; column 4, lines 18-26.	9, 10, 18, 19
A	US 5,582,463 A (LINDER et al) 10 December 1996 (10.12.1996).	1-19
A, E	US 6,406,093 B1 (MIOTTO et al) 18 June 2002 (18.06.2002).	1-19
<input type="checkbox"/> Further documents are listed in the continuation of Box C. <input type="checkbox"/> See patent family annex.		
* Special categories of cited documents:		
"A" document defining the general state of the art which is not considered to be of particular relevance	"T" later document published after the international filing date or priority date and not in conflict with the application but cited to understand the principle or theory underlying the invention	
"E" earlier application or patent published on or after the international filing date	"X" document of particular relevance; the claimed invention cannot be considered novel or cannot be considered to involve an inventive step when the document is taken alone	
"L" document which may throw doubts on priority claim(s) or which is cited to establish the publication date of another citation or other special reason (as specified)	"Y" document of particular relevance; the claimed invention cannot be considered to involve an inventive step when the document is combined with one or more other such documents, such combination being obvious to a person skilled in the art	
"O" document referring to an oral disclosure, use, exhibition or other means	"&" document member of the same patent family	
"P" document published prior to the international filing date but later than the priority date claimed		
Date of the actual completion of the international search 17 September 2002 (17.09.2002)	Date of mailing of the international search report 02 MAY 2003	
Name and mailing address of the ISA/US Commissioner of Patents and Trademarks Box PCT Washington, D.C. 20231 Facsimile No. (703)305-3230	Authorized officer Anthony Barfield  Telephone No. 703-308-1113	