



US00D781056S

(12) **United States Design Patent**
Scheier et al.

(10) **Patent No.:** **US D781,056 S**

(45) **Date of Patent:** **** Mar. 14, 2017**

(54) **TOOTHBRUSH**

(71) Applicants: **Paul A. Scheier**, New York, NY (US);
Luise E. Scheier, New York, NY (US)

(72) Inventors: **Paul A. Scheier**, New York, NY (US);
Luise E. Scheier, New York, NY (US)

(**) Term: **14 Years**

(21) Appl. No.: **29/507,859**

(22) Filed: **Oct. 31, 2014**

(51) **LOC (10) Cl.** **04-02**

(52) **U.S. Cl.**
USPC **D4/110**

(58) **Field of Classification Search**
USPC D4/101, 104-113
CPC A46B 3/00; A46B 9/00; A46B 9/02; A46B
9/04; A46B 9/045; A46B 2200/10; A46B
2200/1026; A46B 2200/1046; A46B
2200/1053; A46B 2200/1066; A46B
2200/1073; A46B 2200/108; A46B
2200/1086

See application file for complete search history.

(56) **References Cited**

U.S. PATENT DOCUMENTS

D46,754	S *	12/1914	Smith	D4/134
D53,715	S *	8/1919	Samson	D4/106
D248,696	S *	8/1978	Greenberg	D4/104
D324,310	S *	3/1992	Barman	D4/106
D372,586	S *	8/1996	Quintanilla	D4/105
D403,509	S *	1/1999	Vonarburg	D4/104
D404,205	S *	1/1999	Hohlbein	D4/104
D485,440	S *	1/2004	Snaith	D4/106
7,036,180	B2 *	5/2006	Hanlon	A46B 9/026 15/106
D549,460	S *	8/2007	Crossman	D4/104

D589,259	S *	3/2009	Littmann	D4/104
D606,319	S *	12/2009	Xi	D4/104
7,757,333	B2 *	7/2010	Battaglia	A46B 5/0025 15/167.1
D621,160	S *	8/2010	Ballmaier	D4/104
D632,484	S *	2/2011	Jimenez	D4/108
D699,036	S *	2/2014	Tokui	D4/104
8,800,093	B2 *	8/2014	Moskovich	A46B 5/0062 15/167.1
D723,807	S *	3/2015	Wong	D4/104
2003/0159224	A1 *	8/2003	Fischer	A46B 3/06 15/110

* cited by examiner

Primary Examiner — Clare E Heflin

(74) *Attorney, Agent, or Firm* — Dann Dorfman Herrell
and Skillman

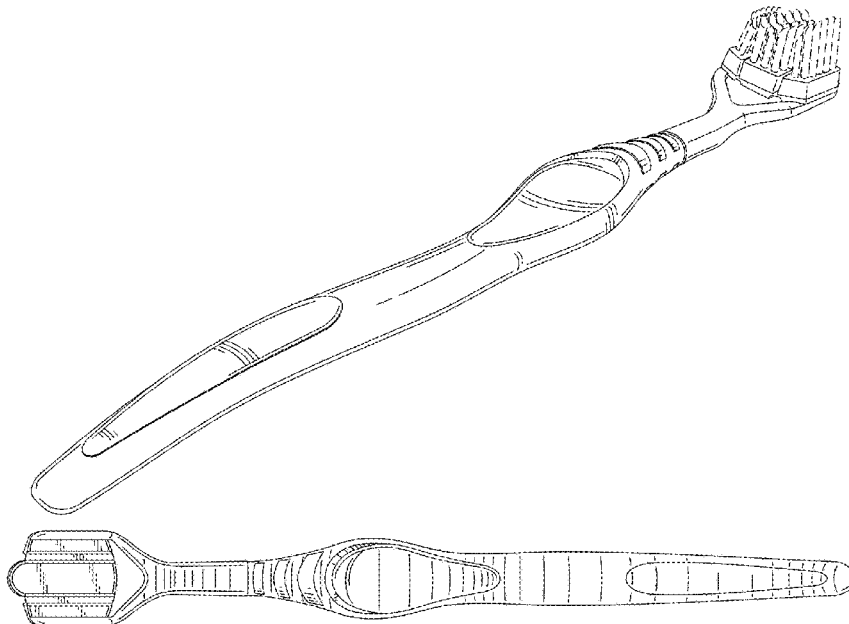
(57) **CLAIM**

We claim the ornamental design for a toothbrush, as shown
and described.

DESCRIPTION

FIG. 1 is a rear perspective view of a toothbrush embodying
the design;
FIG. 2 is a front perspective view thereof;
FIG. 3 is a bottom perspective view thereof;
FIG. 4 is a top perspective view thereof;
FIG. 5 is a first side view thereof, the other side view being
a mirror image thereof;
FIG. 6 is a rear plan view thereof; and,
FIG. 7 is a front plan view thereof.
The broken lines depict portions of the toothbrush in which
the design is embodied that are not considered part of the
claimed design.

1 Claim, 5 Drawing Sheets



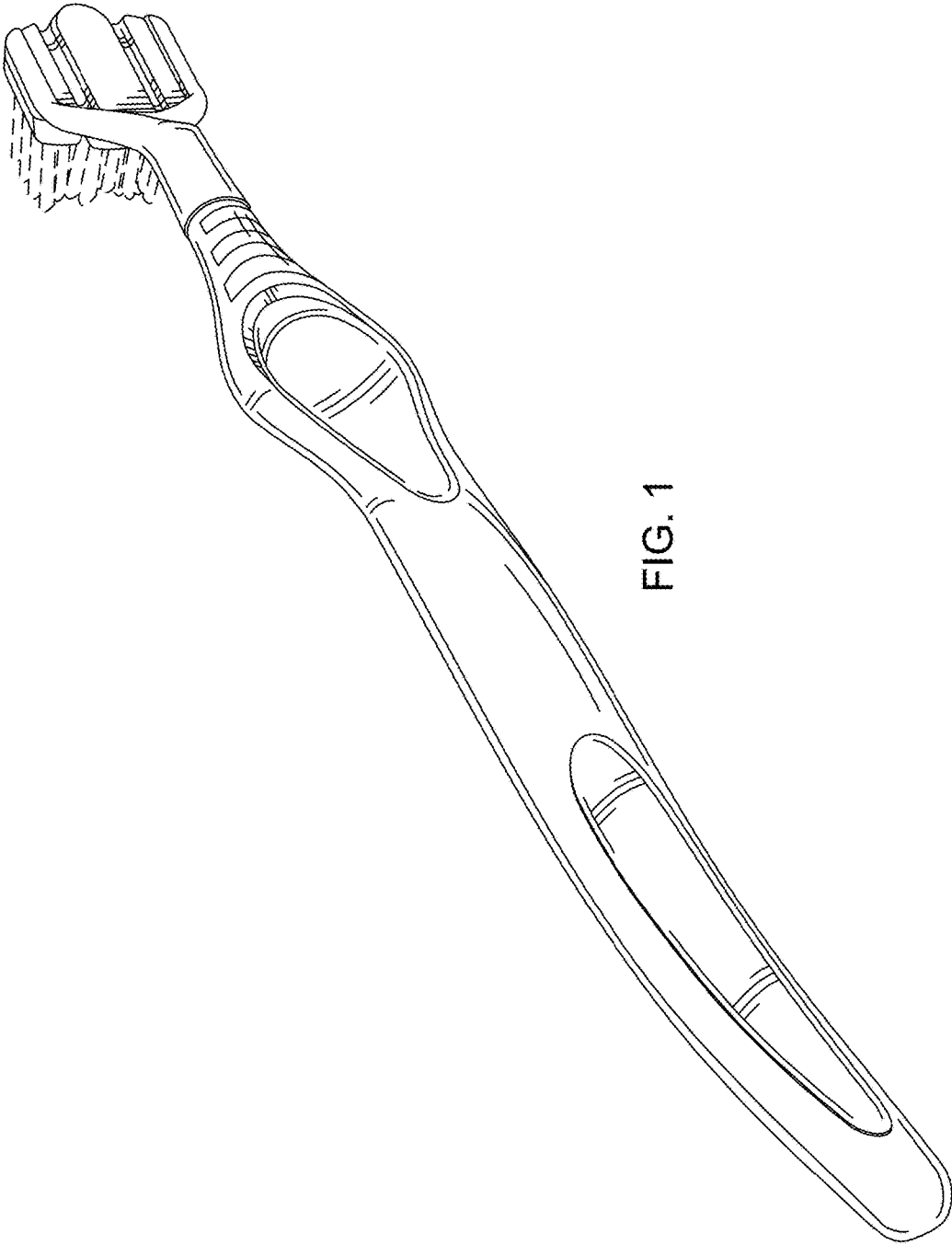


FIG. 1

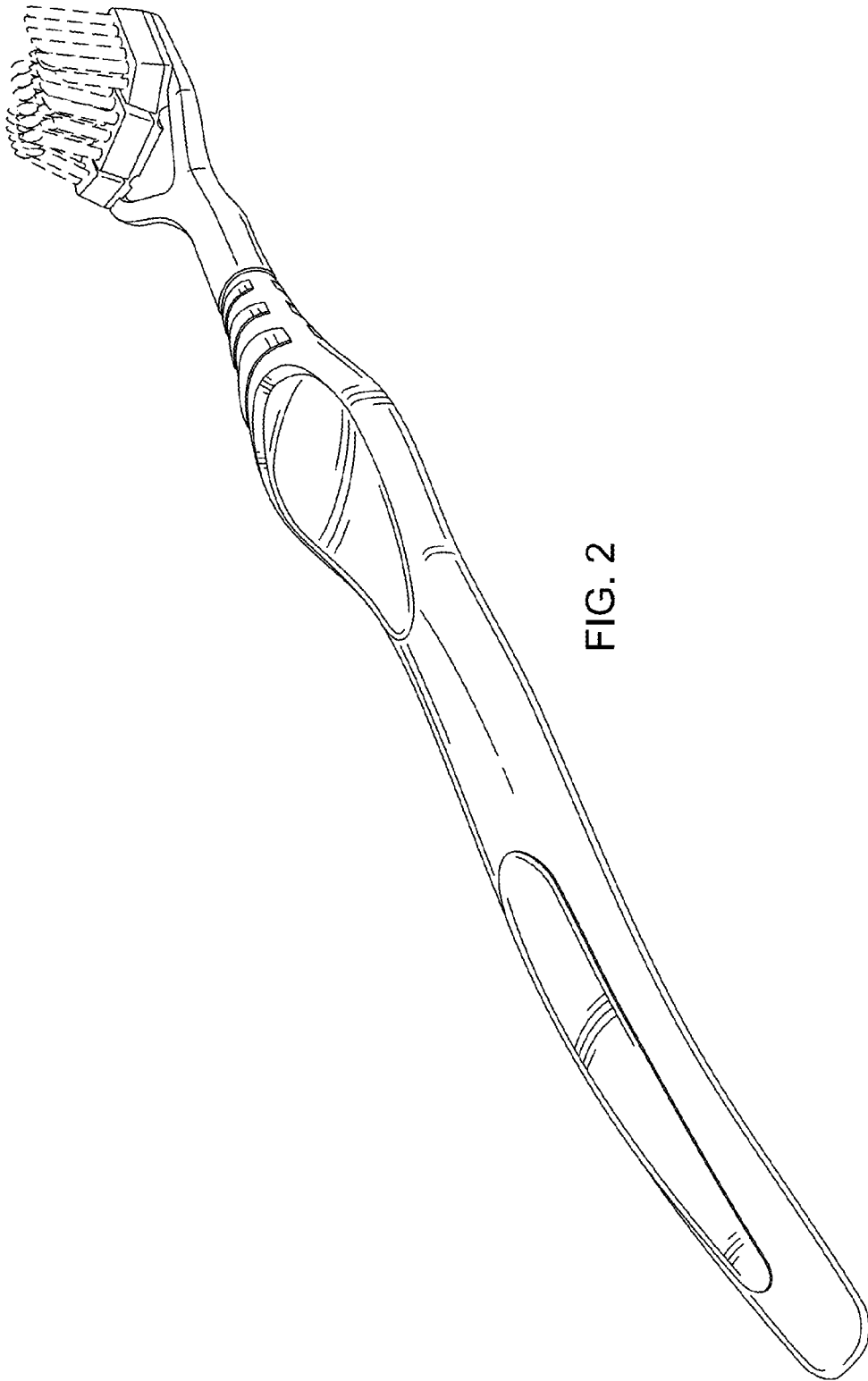


FIG. 2

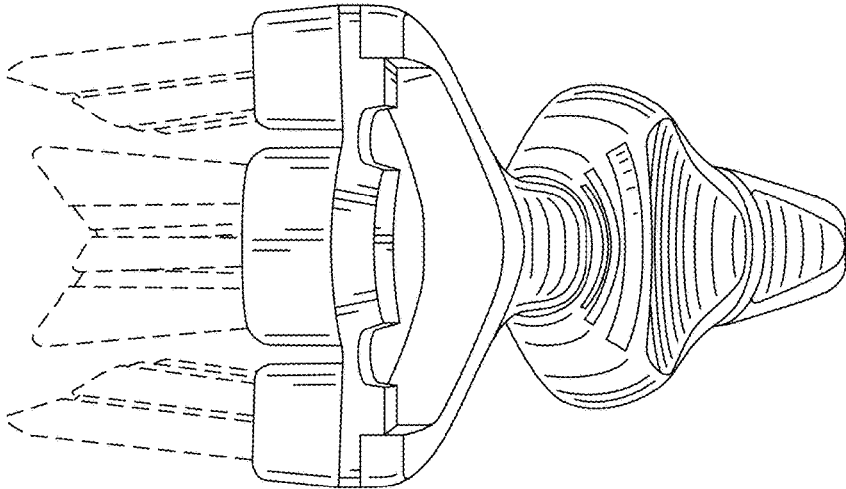


FIG. 4

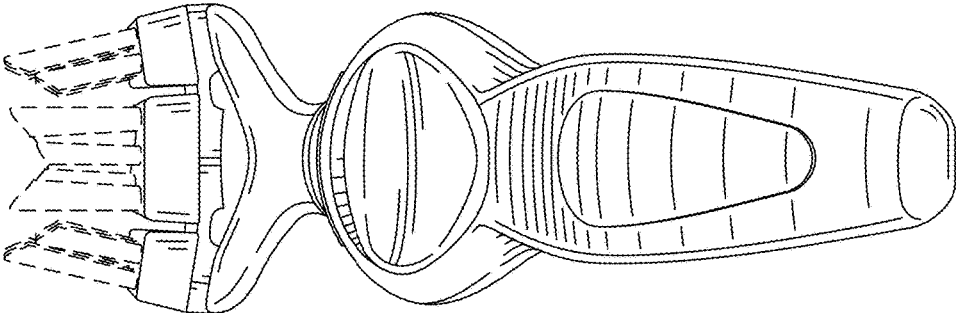


FIG. 3

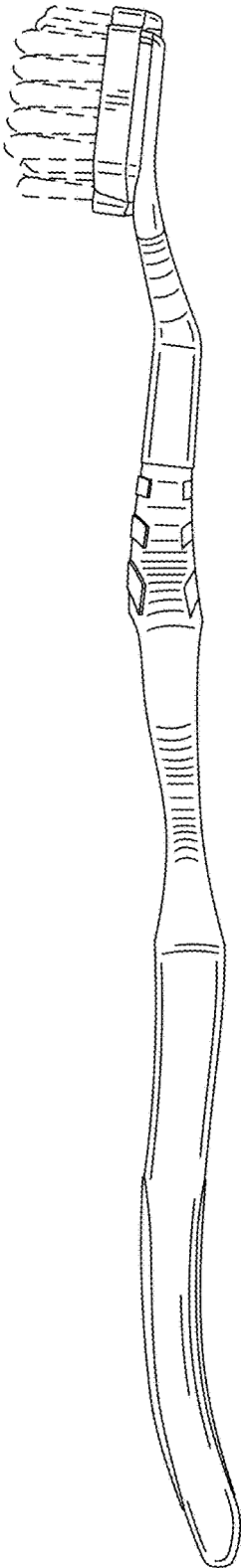


FIG. 5

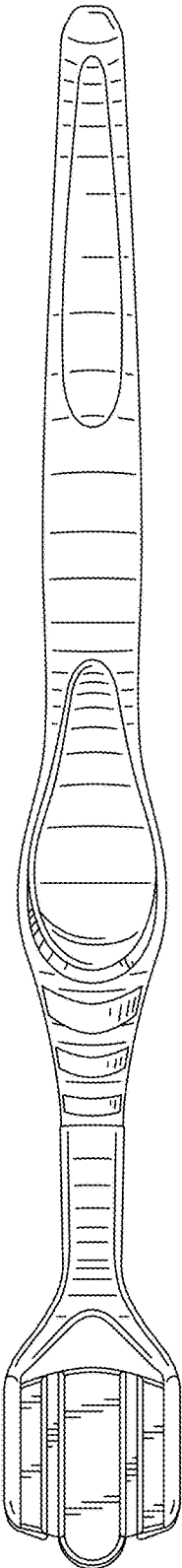


FIG. 6

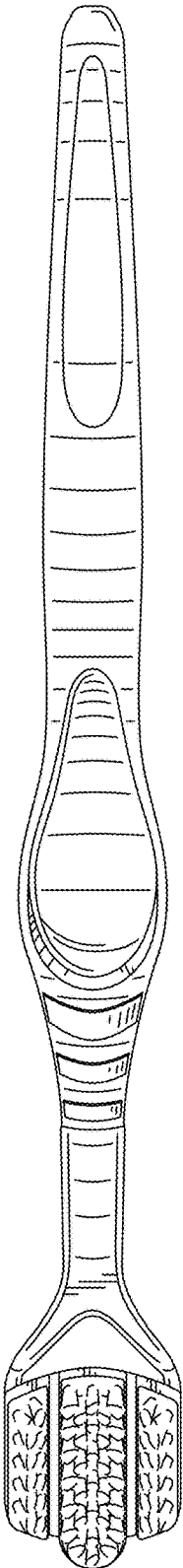


FIG. 7