



US00D811576S

(12) **United States Design Patent** (10) **Patent No.:** **US D811,576 S**  
**Sevy** (45) **Date of Patent:** **\*\* Feb. 27, 2018**

(54) **ATOMIZER SILENCER WITH SEPARATOR**

FOREIGN PATENT DOCUMENTS

(71) Applicant: **Earl Vaughn Sevy**, Cedar City, UT (US)

JP 2001046920 9/2002

(72) Inventor: **Earl Vaughn Sevy**, Cedar City, UT (US)

OTHER PUBLICATIONS

(\*\*) Term: **15 Years**

Eastwood, Eastwood Conours PRO HVLP Paint Gun 1.3mm, question posted in 2015, [online], [site visited on Jun. 9, 2017]. Available from Internet, <URL: http://www.eastwood.com/concours-pro-hvlp-paint-gun-1-3mm.html?SRCCODE=PLA00020&product\_id=14771&adpos=1o1&creative=83580265260&device=c&matchtype=&network=s&gclid=CKjXzvuFsdQCFRdYDQodTPMDeg.\*

(21) Appl. No.: **29/554,486**

(22) Filed: **Feb. 11, 2016**

(51) **LOC (11) Cl.** ..... **23-03**

(52) **U.S. Cl.** ..... **D23/386; D23/366**

(58) **Field of Classification Search**  
USPC ..... **D23/202, 205, 355, 356, 358, 359, 360, D23/362, 363, 364, 365, 366, 386, 387, D23/388, 390, 421, 499; D9/456, 434, D9/763, 766, 767, 772, 777, 718; D24/110, 121, 127; D8/29.1, 499; 261/DIG. 17, DIG. 42, DIG. 47, DIG. 55, 261/DIG. 65, DIG. 70, DIG. 88, DIG. 89, 261/DIG. 49; D27/167-169; D32/25, 26, D32/30, 31, 32; D26/67, 68, 71**  
CPC ..... **A61L 9/00; A61L 9/02; A61L 9/03; A61L 9/032; A61L 9/035; A61L 9/037; A61L 9/04; A61L 9/12; A61L 9/125; A61L 9/127; A24F 25/02; B05B 11/068; C23C 16/4481; A01M 11/2077**

See application file for complete search history.

(56) **References Cited**

U.S. PATENT DOCUMENTS

2,826,454	A	3/1958	Coanda	
D194,479	S *	1/1963	Pettengill	D26/71
D202,440	S *	9/1965	Pettengill	D26/67
3,515,966	A	6/1970	De Vairoger et al.	
3,641,757	A	2/1972	Rehn	
D223,337	S *	4/1972	Kuchar	D18/43
D235,183	S *	5/1975	Braun	210/455
4,235,611	A	11/1980	Brownell	
4,243,396	A	1/1981	Cronenberg	
4,370,543	A *	1/1983	Nemeth	A61H 33/063 137/341

(Continued)

(Continued)

*Primary Examiner* — Sheryl Lane

*Assistant Examiner* — Samantha N Wood

(74) *Attorney, Agent, or Firm* — Pate Baird, PLLC

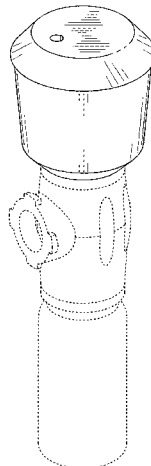
(57) **CLAIM**

The ornamental design for an atomizer silencer with separator, as shown and described.

**DESCRIPTION**

FIG. 1 is an upper, perspective, exploded view of an atomizer silencer with separator in an exemplary environment;  
FIG. 2 is an upper, perspective view of the atomizer silencer with separator in an assembled environment;  
FIG. 3 is an upper, perspective, exploded view of the atomizer silencer with separator alone;  
FIG. 4 is a lower, perspective, exploded view thereof;  
FIG. 5 is an upper, perspective view of a portion of the atomizer silencer with separator thereof;  
FIG. 6 is a top plan view of the atomizer silencer with separator, showing the cap thereof;  
FIG. 7 is a bottom plan view thereof;  
FIG. 8 is a front elevation view thereof;  
FIG. 9 is a rear elevation view thereof;  
FIG. 10 is a right side elevation view thereof; and,  
FIG. 11 is a left side elevation view thereof.  
The broken lines showing selected features are for the purpose of illustrating the environment and context of the article and form no part of the claimed design.

**1 Claim, 6 Drawing Sheets**



(56)

References Cited

U.S. PATENT DOCUMENTS

5,137,432 A 8/1992 Tsai  
 5,201,641 A 4/1993 Richer  
 5,248,448 A 9/1993 Waldron et al.  
 5,314,529 A 5/1994 Tilton et al.  
 5,549,247 A 8/1996 Rossman et al.  
 D384,250 S \* 9/1997 Dumlao ..... D7/601  
 5,687,710 A 11/1997 Ambrosio et al.  
 5,875,774 A 3/1999 Clementi et al.  
 5,922,247 A 7/1999 Shoham et al.  
 6,168,392 B1 1/2001 Takano  
 D439,630 S \* 3/2001 Ellington ..... D22/199  
 6,217,281 B1 4/2001 Jeng et al.  
 6,364,637 B1 4/2002 Hase et al.  
 D468,471 S \* 1/2003 Chen ..... D26/67  
 6,669,176 B2 12/2003 Rock  
 D491,259 S 6/2004 Garrison et al.  
 D491,258 S 7/2004 Sevy  
 D492,020 S 7/2004 Sevy  
 D505,508 S \* 5/2005 Chen ..... D26/67  
 D509,893 S 9/2005 Sevy  
 6,968,069 B1 11/2005 Zhao  
 D520,129 S 5/2006 Sevy  
 D520,169 S \* 5/2006 Harbaugh ..... D26/68  
 D526,710 S 7/2006 Sevy  
 D574,537 S \* 8/2008 Sanoner ..... D26/67  
 7,407,118 B2 8/2008 Sevy  
 7,712,683 B2 5/2010 Robert et al.  
 7,878,418 B2 2/2011 Sevy  
 7,930,068 B2 4/2011 Robert et al.  
 D646,531 S \* 10/2011 Murphy ..... D7/700  
 D687,266 S \* 8/2013 Cloutier ..... D7/667  
 D694,930 S \* 12/2013 Meyer ..... D26/67  
 D749,718 S \* 2/2016 Noguchi ..... D24/110  
 D754,312 S \* 4/2016 Ellis ..... D23/355  
 2002/0102187 A1 \* 8/2002 Bellenger ..... A61L 9/035  
 422/126  
 2008/0283049 A1 11/2008 Mahoney et al.

OTHER PUBLICATIONS

This is Happiness Blog, Office paint process, posted on Apr. 4, 2013, [online], [site visited on Jun. 9, 2017]. Available from Internet, <URL: <http://thisishappinessblog.blogspot.com/2013/04/office-paint-process.html>>.\*

Tetra Whisper Aquarium Air Pump 300, Aquarium Guys, Oct. 8, 2008 p. 1, <http://www.aquariumguys.com/tetraairpump4.html>.  
 Optima Air Pump A807, Aquarium Guys, Oct. 8, 2008, p. 1, <http://www.aquariumguys.com/tetraairpump.html>.  
 Silent Air X-4 Air Pump, Aquarium Guys, Oct. 8, 2008, p. 1, <http://www.aquariumguys.com/silentairpump4.html>.  
 Whisper 60 Aquarium Air Pump, Aquarium Guys, Oct. 8, 2008, p. 1, <http://www.aquariumguys.com/tetra-whisper60-air-pump.html>.  
 Rena Air 400 Air Pump 702E, Aquarium Guys, Oct. 8, 2008, p. 1, <http://www.aquariumguys.com/renaairpump4.html>.  
 Tom Stellar Air Pumps S-30, Fish Tanks Direct, Oct. 8, 2008, p. 1, <http://www.fishtanksdirect.com/index.asp?PageAction=VIEWPROD&ProdID=2102>.  
 Aroma-Globe™ Essential Oil Diffuser/Nebulizer Diffuser World, Oct. 8, 2008, p. 1 <http://www.diffuserworld.com/aromaglobATM-essential-oil-diffusernebulizer-p-10.html>.  
 Nebulizing Diffuser, Betterherbs, Oct. 8, 2008, <http://betterherbs.serrahost.com/Detail.bok?no=397>.  
 Auroma Nebulizer for the House, Shop.com, Oct. 8, 2008, p. 1 [http://www.shop.com/Auroma\\_Nebulizer\\_for\\_the\\_House\\_diffuser-46805905-p!.shtml](http://www.shop.com/Auroma_Nebulizer_for_the_House_diffuser-46805905-p!.shtml).  
 Aura Cacia Electric Diffuser House Model, Shop.com, Oct. 8, 2008, p. 1, [http://www.shop.com/Aura\\_Cacia\\_Electric\\_Diffuser\\_House\\_Model\\_diffuser-46805768-p?.shtml](http://www.shop.com/Aura_Cacia_Electric_Diffuser_House_Model_diffuser-46805768-p?.shtml).  
 Essential Air Room Diffusers, Leyden House, Oct. 8, 2008, p. 1 <http://www.leydenhouse.com/diffusers.html>.  
<http://www.air-roma.com/diffusers>, Mar. 21, 2013.  
[http://www.prolitec.com/appliances\\_commercial.htm](http://www.prolitec.com/appliances_commercial.htm), Mar. 21, 2013.  
<http://scentair.com/why-scentair-solutions/>, Mar. 21, 2013.  
<http://www.brandaroma.com/products/>, Mar. 21, 2013.  
<http://www.e2aroma.com/appliances/smart-air-maxi/>, Mar. 21, 2013.  
<http://www.scentaustralia.com.au/index.php/products/scent-diffuser-zephyr>, Mar. 21, 2013.  
<http://www.voitair.com/scent-systems>, Mar. 21, 2013.  
<http://www.fragrancemachine.com/>, Mar. 21, 2013.  
 Spa Room Purilizer Assortment with instructions, <http://www.sparoom.com/catalog/>, webpage, Sep. 1, 2015.  
 Floracopeia, Inc., S3 Nebulizing Diffuser, User Manual Apr. 2015.  
 Shenzhen Jing Xin, Sharing Together Pure Aromatic Fresh Air Catalog, Apr. 2015.

\* cited by examiner

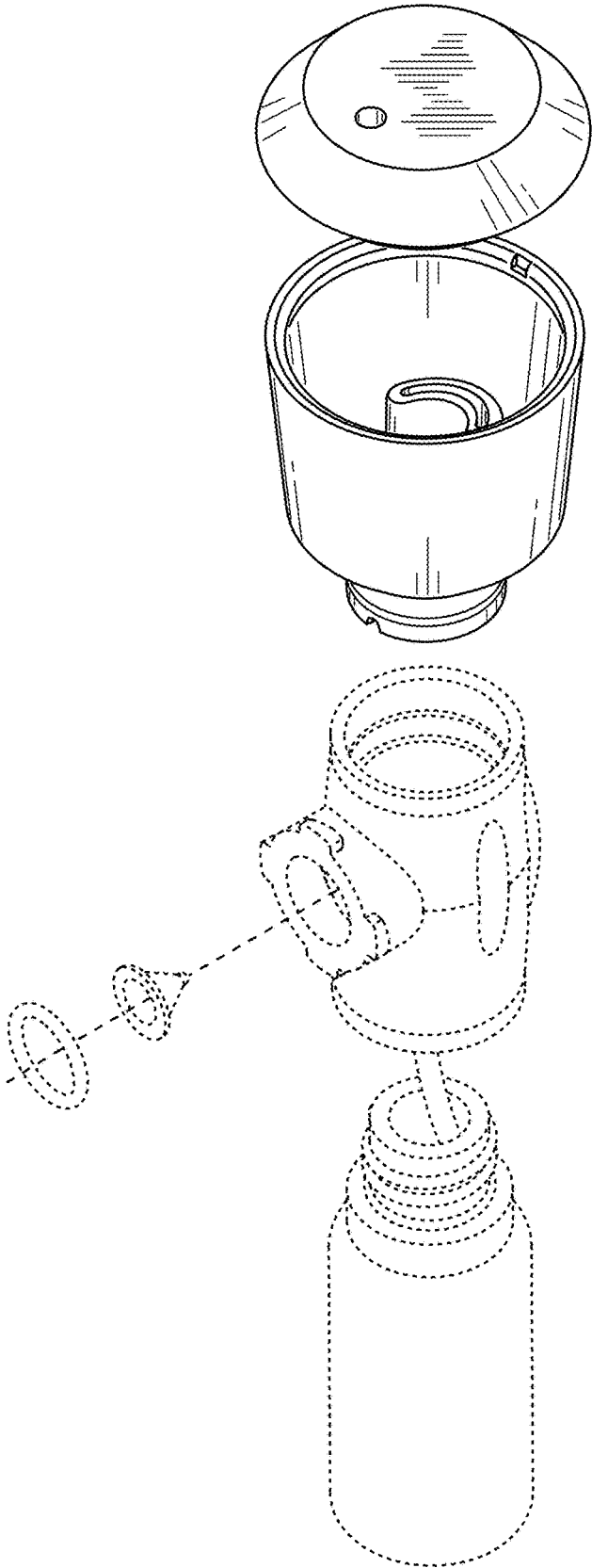


FIG. 1

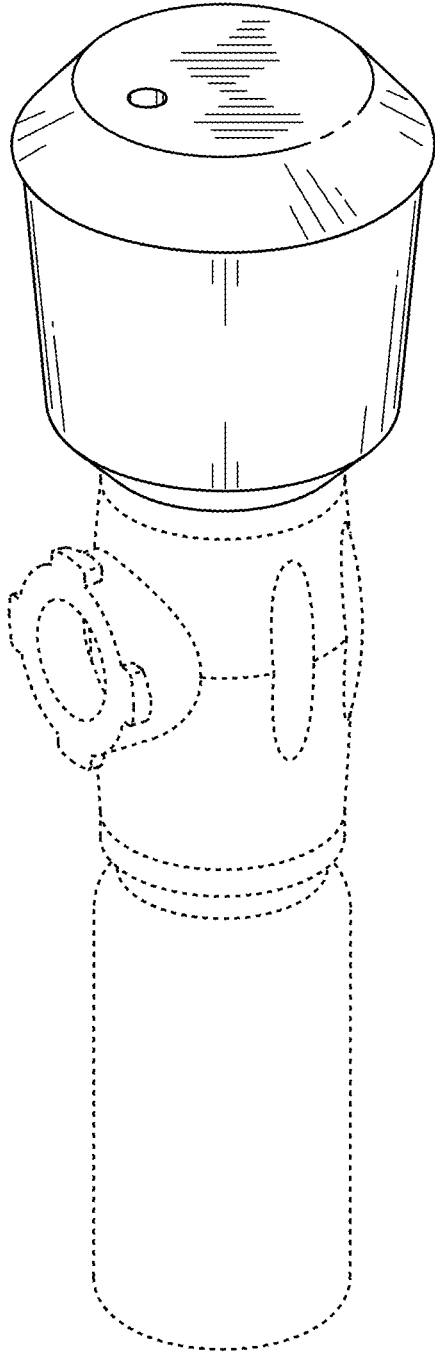


FIG. 2

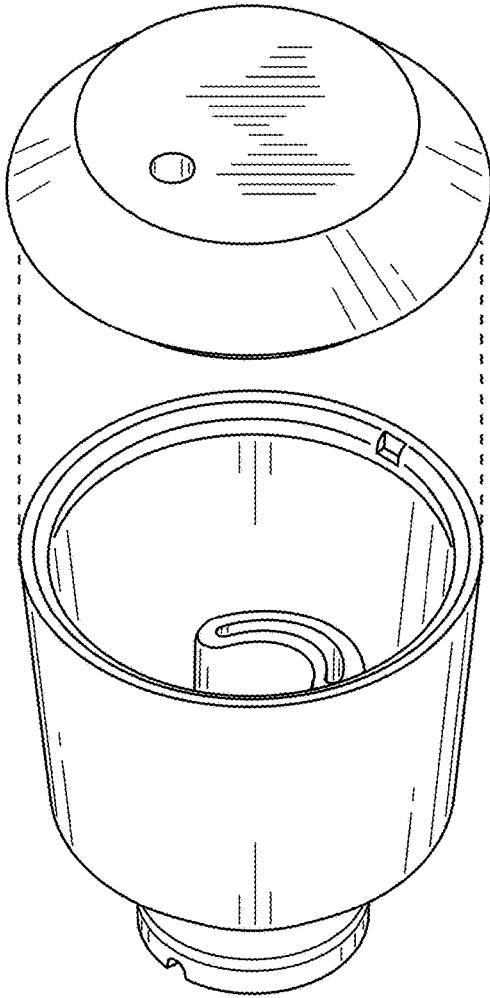


FIG. 3

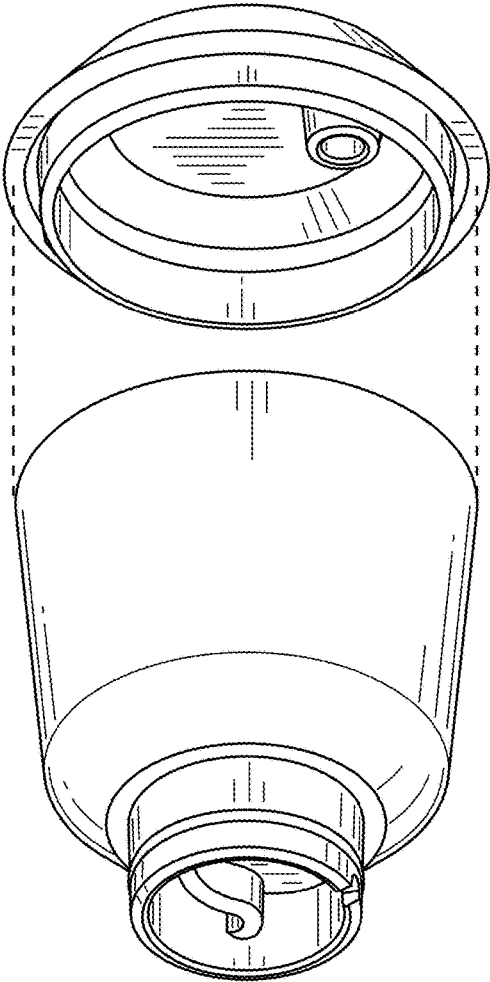


FIG. 4

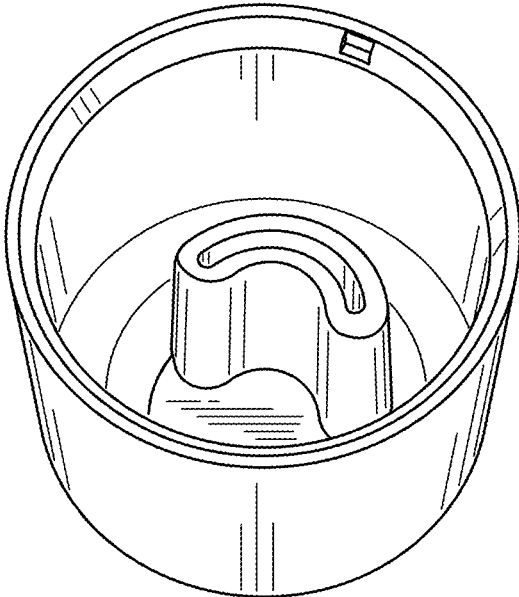


FIG. 5

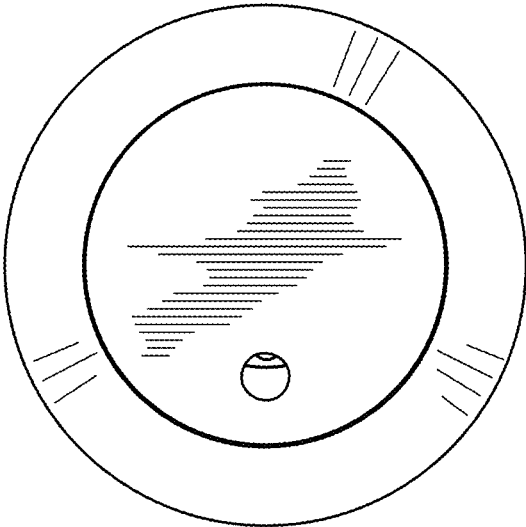


FIG. 6

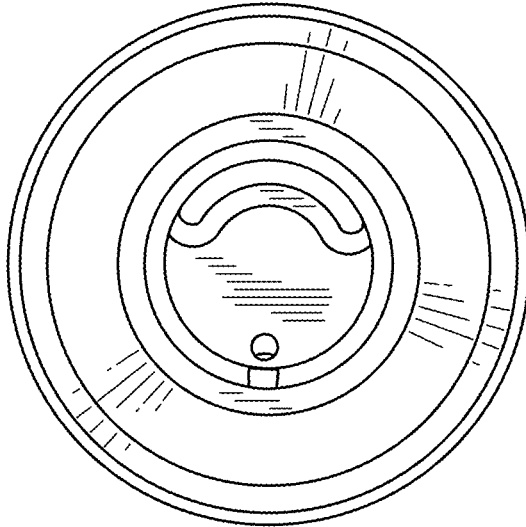


FIG. 7

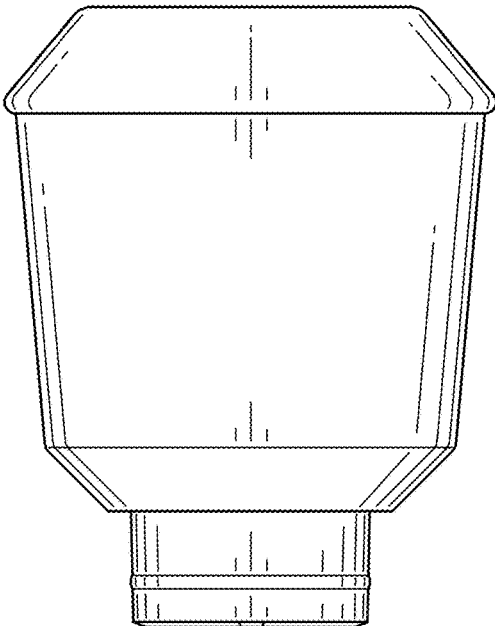


FIG. 8

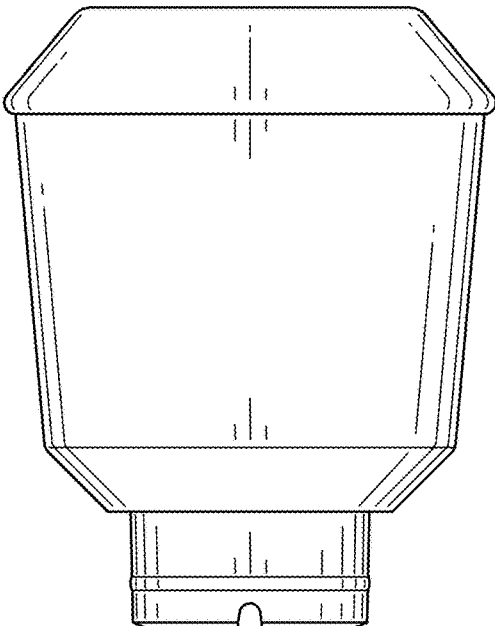


FIG. 9

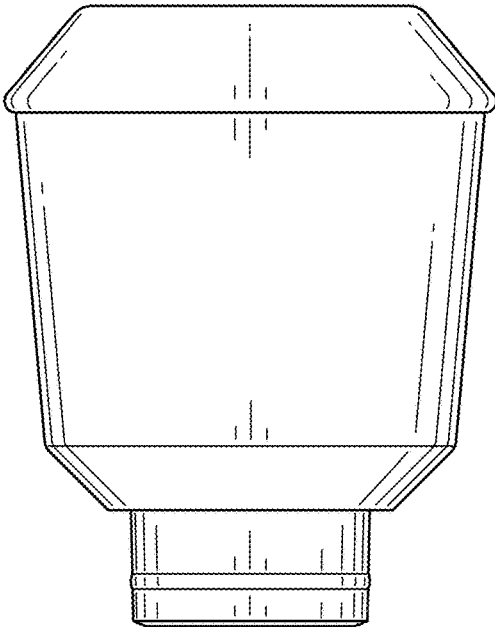


FIG. 10

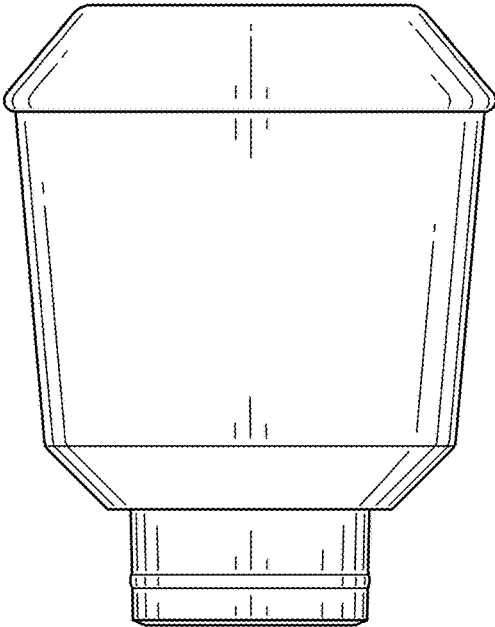


FIG. 11