



US00D737666S

(12) **United States Design Patent**
Rodriguez

(10) **Patent No.:** **US D737,666 S**

(45) **Date of Patent:** **** Sep. 1, 2015**

(54) **POST STRAP STABILIZER**

(71) Applicant: **VMR Product Group**, San Antonio, TX (US)

(72) Inventor: **Eloy Rodriguez**, San Antonio, TX (US)

(73) Assignee: **VMR Product Group**, San Antonio, TX (US)

(**) Term: **14 Years**

(21) Appl. No.: **29/487,168**

(22) Filed: **Apr. 6, 2014**

(51) **LOC (10) Cl.** **08-05**

(52) **U.S. Cl.**
USPC **D8/356**; D25/133

(58) **Field of Classification Search**
USPC D8/367, 354, 349, 373, 323, 356, 397;
248/301-304, 339, 205.3, 220.21,
248/220.31; 24/132 R, 367, 354, 356;
211/87.01, 59.1; D25/133, 128, 131;
52/698, 297, 699, 700, 719; 256/65.14
CPC A47G 1/00; A47G 25/00
See application file for complete search history.

(56) **References Cited**

U.S. PATENT DOCUMENTS

1,671,185 A	8/1875	McDonald	
748,946 A	1/1904	Hansberger	
1,081,976 A	12/1913	Mccain	
1,991,087 A	2/1935	Falcon	
3,550,343 A	12/1970	Buske	
3,940,941 A *	3/1976	Libert et al.	405/259.6
D269,410 S *	6/1983	Johansson	D8/367
D269,411 S *	6/1983	Johansson	D8/367
4,607,984 A *	8/1986	Cassidy	405/259.6
4,793,110 A	12/1988	Tucker	

4,979,817 A	12/1990	Crisp, Sr.	
D359,431 S *	6/1995	Motley	D8/44
D524,149 S *	7/2006	Kim	D8/397
D588,442 S *	3/2009	Chong et al.	D8/356
D605,500 S *	12/2009	Lee et al.	D8/387
D610,717 S *	2/2010	Lin	D25/133
D630,086 S *	1/2011	Chou	D8/356
D646,154 S *	10/2011	Andersson	D8/397
D646,799 S *	10/2011	Yasher et al.	D25/133
D654,778 S *	2/2012	Hines et al.	D8/356
D664,832 S *	8/2012	van der Vorst	D8/356
D679,988 S *	4/2013	Yamazaki	D8/397
D682,909 S *	5/2013	Kim	D16/219
D692,293 S *	10/2013	Toscani et al.	D8/356
D699,552 S *	2/2014	Wills	D8/380
D704,543 S *	5/2014	Kuhmichel et al.	D8/397
D707,534 S *	6/2014	Crounse et al.	D8/356
D716,640 S *	11/2014	Martinson	D8/356
D717,157 S *	11/2014	Widdows et al.	D8/356

(Continued)

Primary Examiner — Cynthia Underwood

(74) *Attorney, Agent, or Firm* — Volk & McElroy, LLP; Michael D. Volk, Jr.

(57) **CLAIM**

The ornamental design for a post strap stabilizer, as shown.

DESCRIPTION

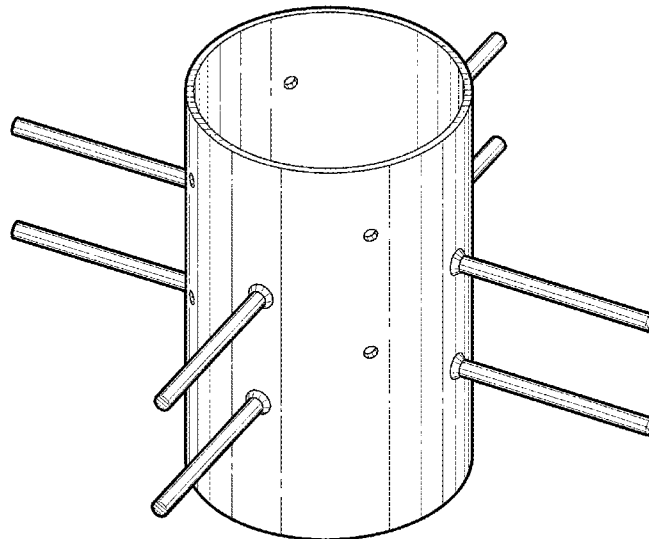
FIG. 1 is a perspective view of a post strap stabilizer showing my new design.

FIG. 2 is a front view thereof. The rear view, left side view, and right side view of FIG. 2 are identical to the front view shown in FIG. 2.

FIG. 3 is another front view thereof wherein the post strap stabilizer of FIG. 2 has been rotated about forty-five degrees. The rear view, left side view, and right side view of FIG. 3 are identical to the front view shown in FIG. 3; and,

FIG. 4 is a top view thereof which is identical to the bottom view thereof.

1 Claim, 3 Drawing Sheets



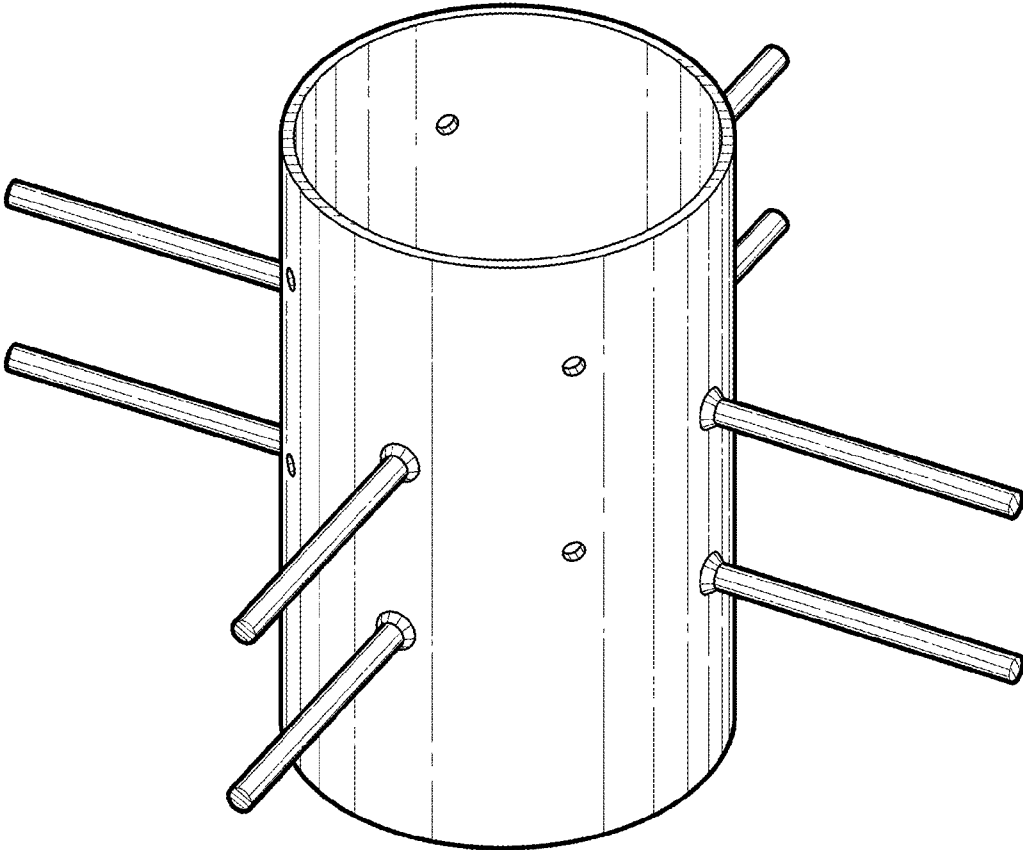


FIG. 1

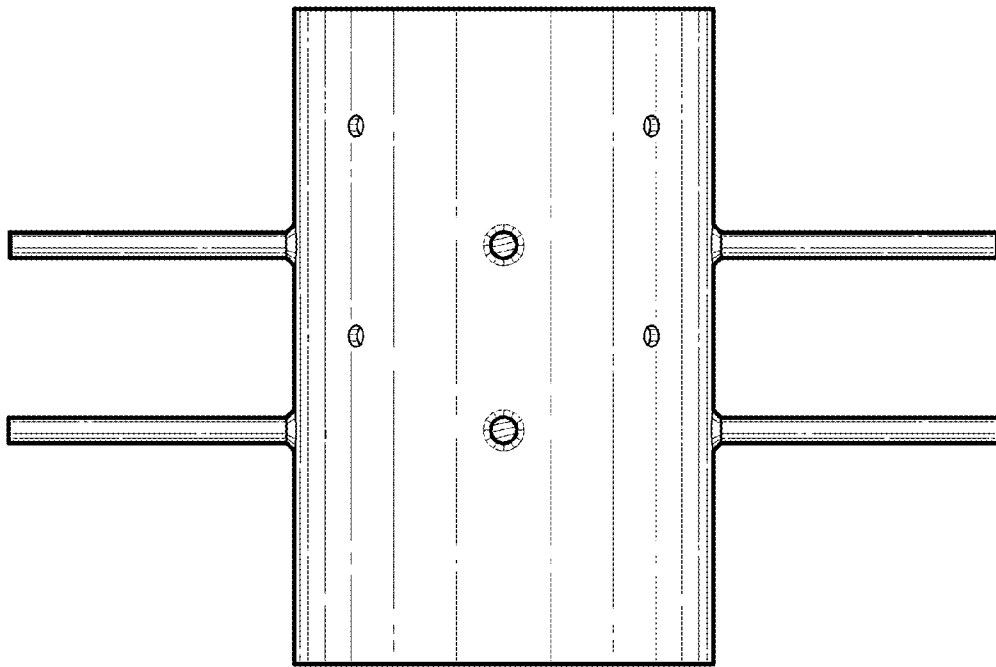


FIG. 2

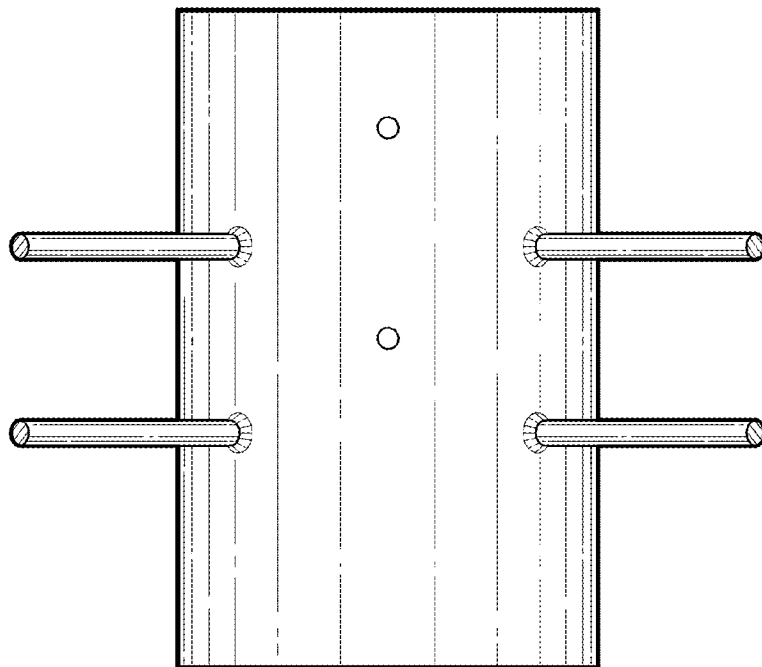


FIG. 3

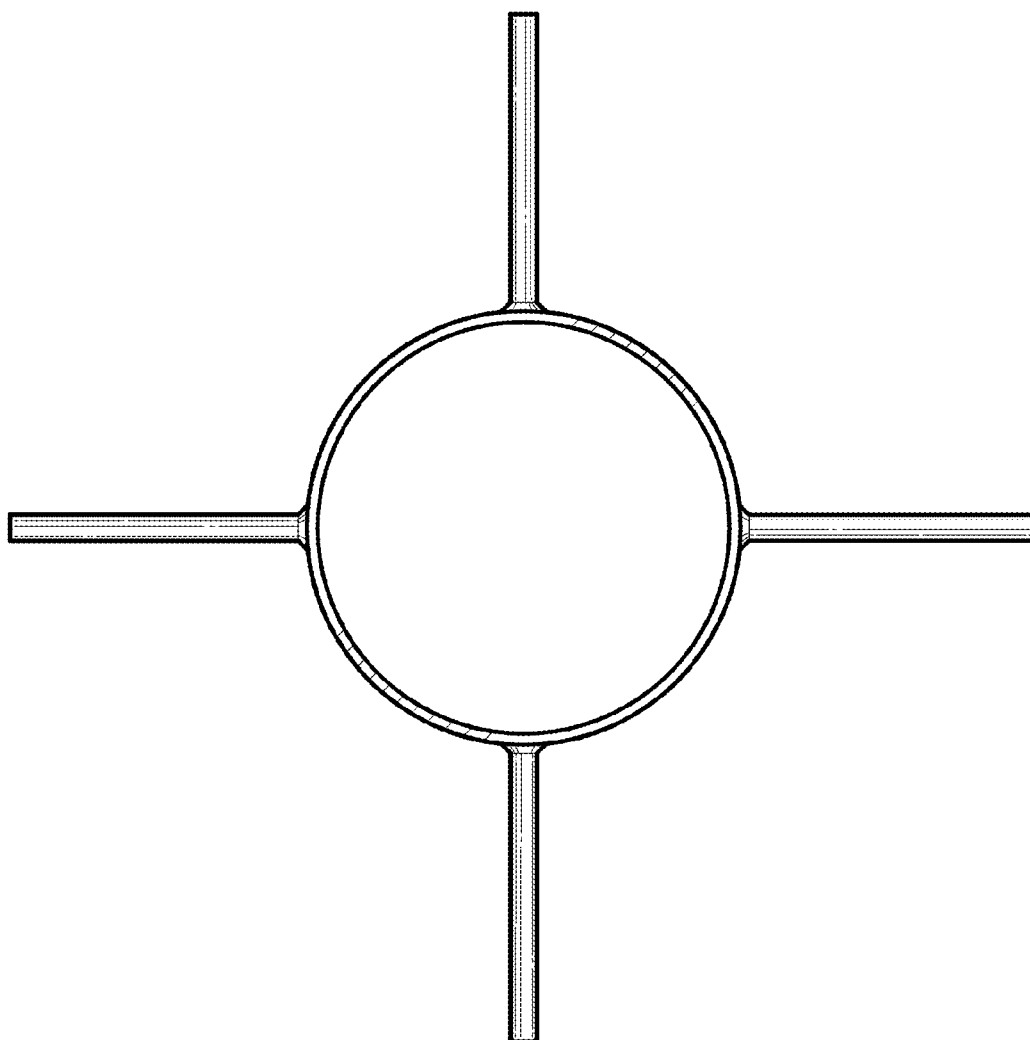


FIG. 4