



US00D815728S

(12) **United States Design Patent**
Walls et al.

(10) **Patent No.:** **US D815,728 S**
(45) **Date of Patent:** **** Apr. 17, 2018**

- (54) **BREATHING INTERFACE ASSEMBLY**
- (71) Applicant: **Fisher & Paykel Healthcare Limited**,
Auckland (NZ)
- (72) Inventors: **Bruce Michael Walls**, Auckland (NZ);
Rex Gordon Faithfull, Auckland (NZ);
Arvin San Jose Gardiola, Auckland
(NZ); **Wen Dong Huang**, Auckland
(NZ); **Matthew Robert Geoff Slight**,
Auckland (NZ)
- (73) Assignee: **Fisher & Paykel Healthcare Limited**,
Auckland (NZ)

D532,511 S 11/2006 Amarasinghe
D532,512 S 11/2006 Amarasinghe
D536,092 S 1/2007 Amarasinghe
D540,940 S 4/2007 Amarasinghe et al.
D542,912 S * 5/2007 Gunaratnam D24/110.5
D546,441 S * 7/2007 Hitchcock D24/110.1

(Continued)

FOREIGN PATENT DOCUMENTS

JP D1464190 2/2013
WO WO 2007/041786 A1 4/2007

(Continued)

OTHER PUBLICATIONS

Reason for Rejection from Examination Report [Partial Transla-
tion], Japanese Design Application No. 2014-011228.

(Continued)

Primary Examiner — Karen E Kearney
Assistant Examiner — Lilyana Bekic
(74) *Attorney, Agent, or Firm* — Knobbe Martens Olsen
& Bear, LLP

(57) **CLAIM**

The ornamental design for a breathing interface assembly, as
shown and described.

DESCRIPTION

FIG. 1 is a top, front and right side perspective view of a
breathing interface assembly embodying the new design.
FIG. 2 is a front view thereof.
FIG. 3 is a back view thereof.
FIG. 4 is a left side view thereof.
FIG. 5 is a right side view thereof.
FIG. 6 is a top view thereof; and,
FIG. 7 is a bottom view thereof.
Broken lines are used to illustrate features that form no part
of the claimed design.

1 Claim, 7 Drawing Sheets

- (**) Term: **15 Years**
- (21) Appl. No.: **29/581,677**
- (22) Filed: **Oct. 20, 2016**

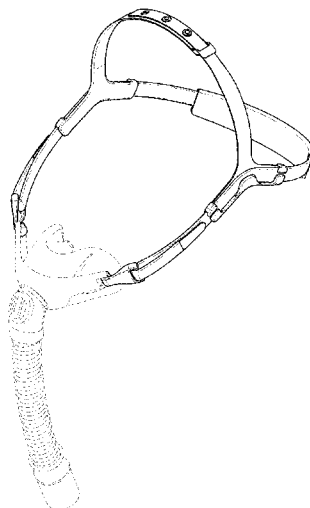
Related U.S. Application Data

- (62) Division of application No. 29/475,080, filed on Nov.
27, 2013, now Pat. No. Des. 770,036.
- (51) **LOC (11) Cl.** **29-02**
- (52) **U.S. Cl.**
USPC **D24/110.4**
- (58) **Field of Classification Search**
USPC D24/110-110.5, 127; D29/108, 122
CPC A61M 16/0622; A61M 16/0616; A61M
16/0605; A61M 16/0644; A61M 16/0633;
A61M 16/06; A61M 16/0683
See application file for complete search history.

References Cited

U.S. PATENT DOCUMENTS

D335,367 S 5/1993 Mieskoski
5,394,568 A 3/1995 Brostrom et al.
5,517,986 A 5/1996 Starr et al.
D487,312 S * 3/2004 Bailey D24/110.1
D496,726 S 9/2004 Amarasinghe et al.



(56)

References Cited

U.S. PATENT DOCUMENTS

D561,332 S 2/2008 Amarasinghe et al.
 D612,933 S * 3/2010 Prentice D24/110.1
 D653,748 S * 2/2012 Henry D24/110.1
 D656,231 S * 3/2012 Henry D24/110.1
 D668,328 S * 10/2012 Hill D24/110.1
 D691,257 S * 10/2013 Siew D24/110.1
 D692,554 S * 10/2013 Siew D24/110.1
 D696,767 S 12/2013 Scheiner et al.
 D704,329 S * 5/2014 Collazo D24/110.1
 D706,413 S 6/2014 Veliss et al.
 D709,181 S * 7/2014 Henry D24/110.1
 8,839,791 B2 9/2014 Allum et al.
 8,985,115 B2 * 3/2015 Baecke A61M 16/0666
 128/207.13
 D729,381 S * 5/2015 Himes D24/110.1
 D737,953 S * 9/2015 Wells D24/110.1
 D740,409 S * 10/2015 Siew D24/110.1
 D770,036 S * 10/2016 Walls D24/110.4
 D771,239 S * 11/2016 Walls D24/110.1
 2003/0196658 A1 10/2003 Ging et al.
 2004/0112377 A1 6/2004 Amarasinghe et al.
 2004/0226566 A1 11/2004 Gunaratnam et al.
 2006/0081252 A1 4/2006 Wood
 2007/0163600 A1 7/2007 Hoffman
 2008/0190432 A1 8/2008 Blochlinger et al.
 2009/0044808 A1 * 2/2009 Guney A61M 16/0666
 128/206.24
 2009/0095298 A1 4/2009 Gunaratnam et al.
 2009/0250065 A1 10/2009 Omura et al.
 2010/0224199 A1 9/2010 Smith et al.
 2010/0229868 A1 9/2010 Rummery et al.
 2010/0258136 A1 * 10/2010 Doherty A61M 16/0683
 128/207.17
 2011/0000492 A1 * 1/2011 Veliss A61M 16/0666
 128/207.13
 2011/0146685 A1 * 6/2011 Allan A61M 16/06
 128/205.25
 2011/0197341 A1 8/2011 Formica et al.
 2011/0232649 A1 * 9/2011 Collazo A61M 16/06
 128/207.18
 2011/0253143 A1 10/2011 Ho et al.
 2011/0259335 A1 * 10/2011 Sullivan A61M 16/0683
 128/205.25
 2012/0067349 A1 * 3/2012 Barlow A61M 16/06
 128/205.25
 2012/0090622 A1 * 4/2012 Chang A61M 16/0666
 128/207.18
 2012/0138060 A1 6/2012 Barlow
 2012/0222680 A1 9/2012 Eves et al.
 2013/0042871 A1 * 2/2013 Chang A61M 16/06
 128/205.25

2013/0186403 A1 * 7/2013 Chang A61M 16/0666
 128/205.25
 2013/0199537 A1 * 8/2013 Formica A61M 16/06
 128/205.25
 2013/0220327 A1 * 8/2013 Barlow A61M 16/0683
 128/205.25
 2014/0000614 A1 * 1/2014 Chang A61M 16/0666
 128/205.25
 2014/0264975 A1 9/2014 Bath et al.
 2014/0283843 A1 * 9/2014 Eves A61M 11/00
 128/206.24
 2015/0151071 A1 * 6/2015 Von Moger A61M 39/1055
 128/202.27
 2015/0199479 A1 7/2015 Semen et al.
 2015/0224274 A1 * 8/2015 Siew A61M 16/0683
 128/206.24
 2015/0246200 A1 * 9/2015 Neff, Jr. A61M 16/0611
 128/202.27
 2015/0283349 A1 * 10/2015 McLaren A61M 16/06
 128/206.21
 2015/0290415 A1 10/2015 Dunn
 2016/0015921 A1 * 1/2016 Harrison A61M 16/0605
 128/205.25
 2016/0051784 A1 * 2/2016 Eury A61M 16/0666
 128/207.18
 2016/0074611 A1 * 3/2016 Higgins A61M 16/0666
 128/206.24
 2016/0082217 A1 * 3/2016 McLaren A61M 16/0683
 128/207.11
 2016/0151596 A1 * 6/2016 Slight A61M 16/0622
 128/207.18
 2016/0213878 A1 * 7/2016 Browning, Jr. ... A61M 16/0683
 2016/0287830 A1 * 10/2016 Walls A61M 16/0683
 2017/0072155 A1 * 3/2017 Allan A61M 16/06
 2017/0080173 A1 * 3/2017 Barlow A61M 16/0683

FOREIGN PATENT DOCUMENTS

WO WO 2009/059353 A1 5/2009
 WO WO 2011/060479 A1 5/2011
 WO WO 2012/045127 4/2012

OTHER PUBLICATIONS

Australian Examination Report; dated Jul. 8, 2016; 5 pages.
 International Search Report; PCT/IB2014/066374; dated Feb. 16, 2015; 4 pages.
 International Preliminary Report on Patentability; PCT/162014/066374; dated May 31, 2016; 5 pages.
 Supplementary Search Report in European Application No. 14865246.4; dated Jun. 16, 2017; 7 pages.

* cited by examiner

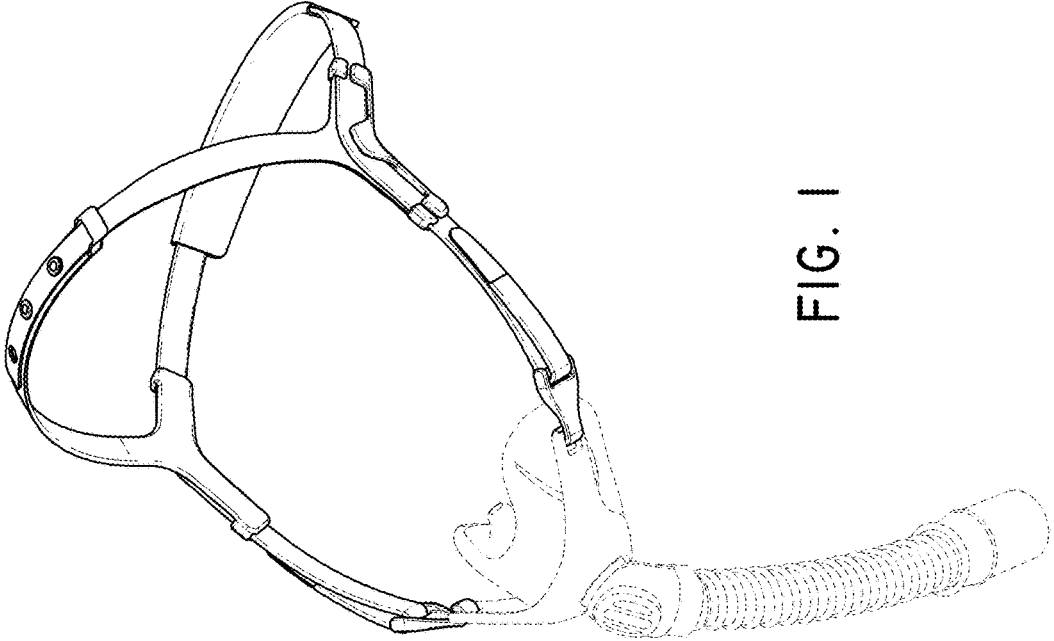


FIG. 1

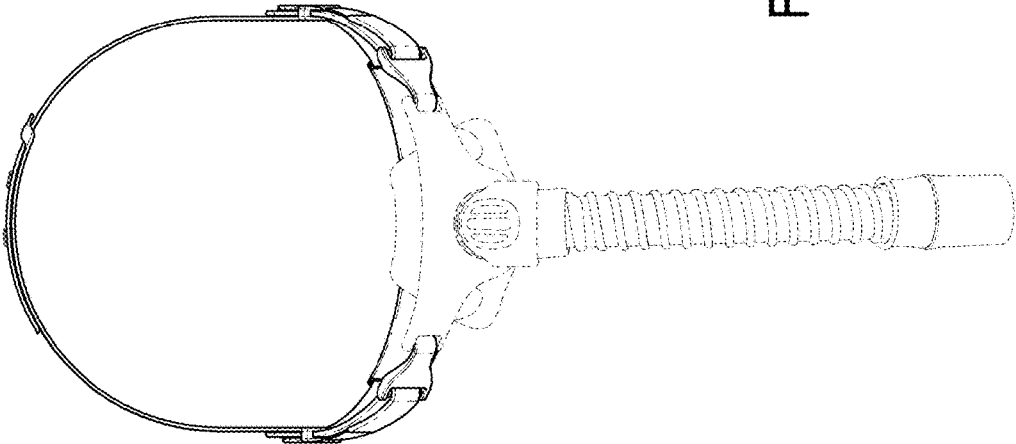


FIG. 2

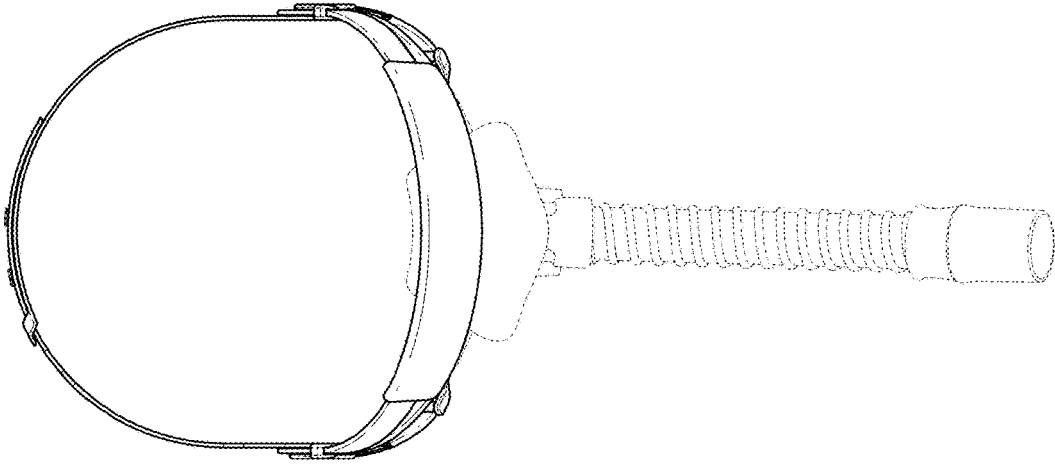


FIG. 3

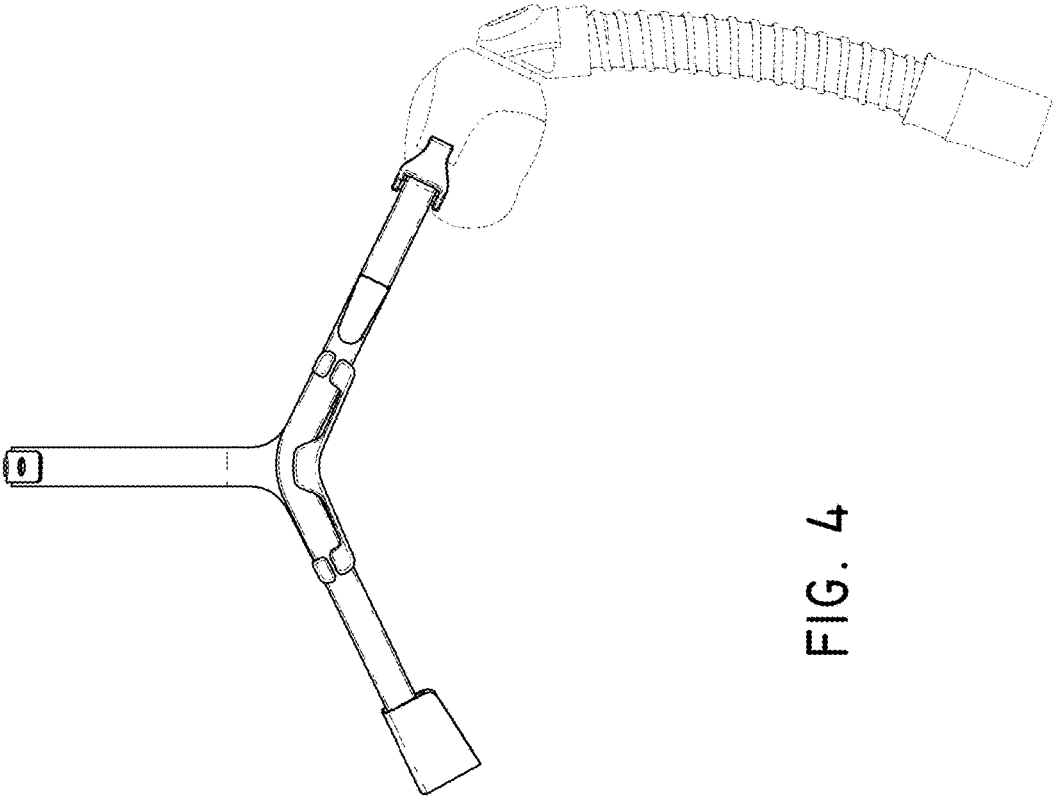


FIG. 4

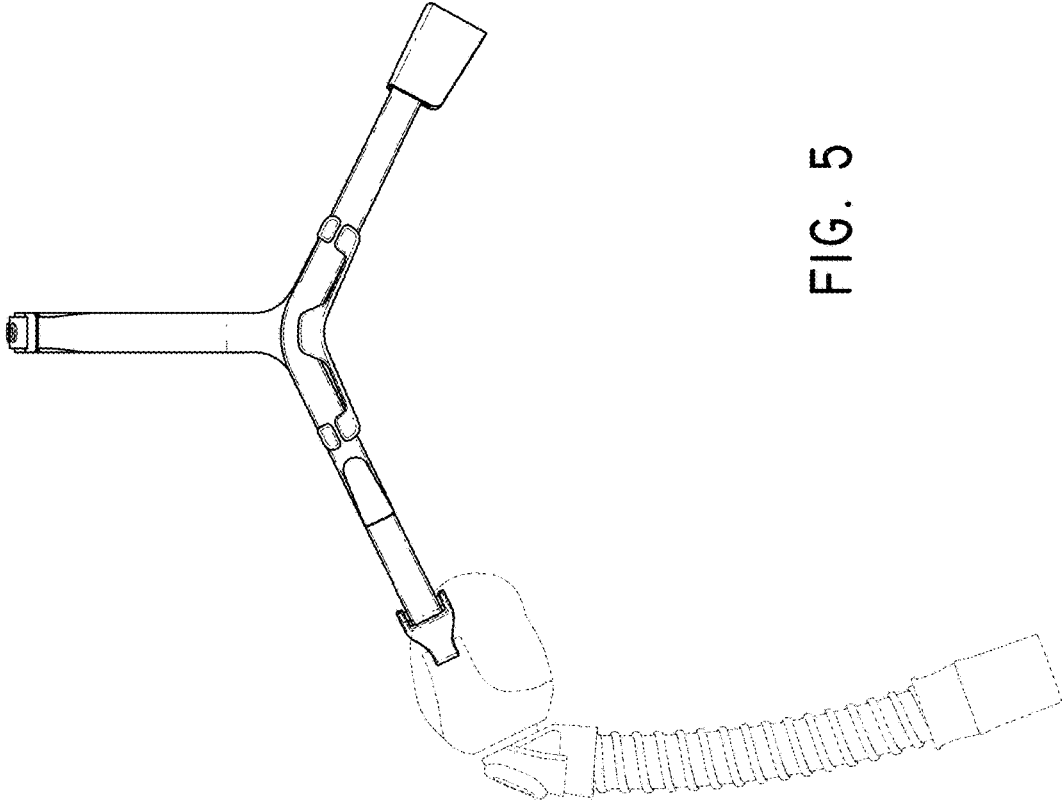


FIG. 5

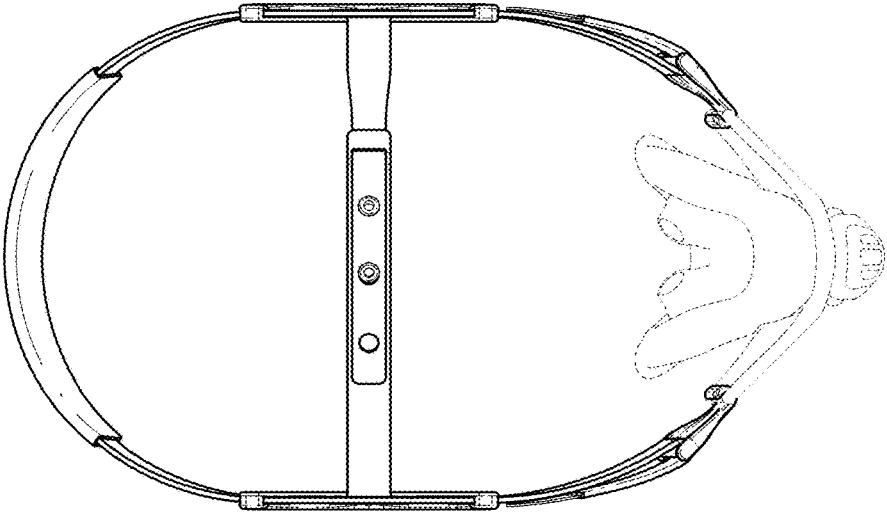


FIG. 6

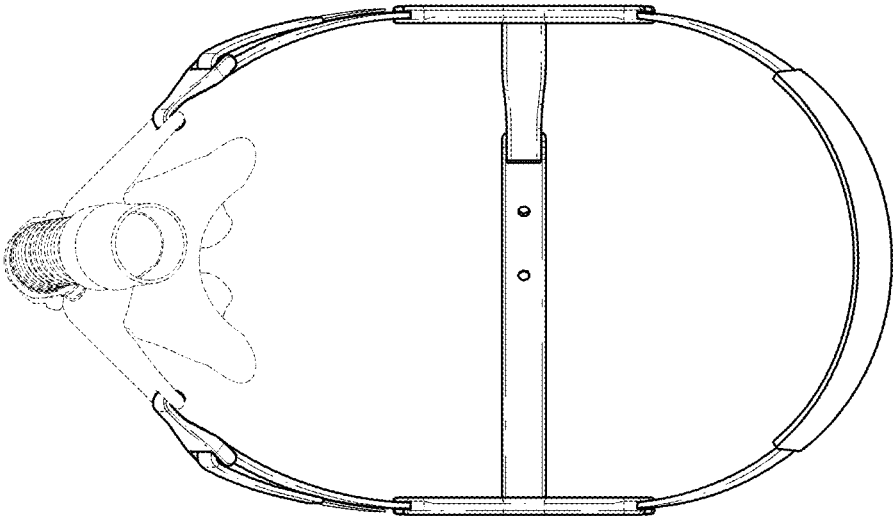


FIG. 7