



US00D692896S

(12) **United States Design Patent**
Nilsson

(10) **Patent No.:** US D692,896 S

(45) **Date of Patent:** ** *Nov. 5, 2013

(54) **MODULE**

(75) Inventor: **Rolf Nilsson**, Limhamn (SE)

(73) Assignee: **connectBlue AB**, Malmo (SE)

(*) Notice: This patent is subject to a terminal disclaimer.

(**) Term: **14 Years**

(21) Appl. No.: **29/406,462**

(22) Filed: **Nov. 15, 2011**

(51) **LOC (9) Cl.** **14-02**

(52) **U.S. Cl.**

USPC **D14/436**

(58) **Field of Classification Search**

USPC D14/435-438, 478-480; 235/441, 443, 235/487, 492, 493, 495; 361/737, 679, 752, 361/736, 728, 796, 797, 729, 730, 361/725-727; 257/678, 679, 693, E23.064; 439/946, 948, 159; 174/250, 260, 52.1, 174/52.2; 710/300-303; 438/121

See application file for complete search history.

(56) **References Cited**

U.S. PATENT DOCUMENTS

2,706,742	A *	4/1955	Ehlers	174/564
3,185,947	A *	5/1965	Freymodsson	336/200
D204,910	S *	5/1966	Shebanow et al.	D14/436
D205,912	S *	10/1966	Ruterbusch et al.	D14/436
D205,913	S *	10/1966	Morse et al.	D14/436
3,357,099	A *	12/1967	Mericle et al.	29/852
3,398,232	A *	8/1968	Hoffman	174/254
D218,747	S *	9/1970	Bennett et al.	D13/147
D221,282	S *	7/1971	Miller et al.	D14/436
3,747,210	A *	7/1973	Kroll	29/884
3,760,091	A *	9/1973	Cannizzaro et al.	174/256
3,887,783	A *	6/1975	Comette	219/85.16

3,964,087	A *	6/1976	Mallon	338/306
D240,631	S *	7/1976	Lang et al.	D13/147
4,029,531	A *	6/1977	Marinelli	438/749
4,074,340	A *	2/1978	Leigh	361/321.3
D254,687	S *	4/1980	Fadler et al.	D24/216
4,223,321	A *	9/1980	Kenworthy	347/76
4,288,840	A *	9/1981	Konishikawa et al.	361/778
4,312,026	A *	1/1982	Iwaya et al.	361/321.1
4,313,157	A *	1/1982	Fink	363/59
D267,094	S *	11/1982	Doi	D14/436
4,400,762	A *	8/1983	Bartley et al.	361/765
4,419,714	A *	12/1983	Locke	361/321.2
4,430,690	A *	2/1984	Chance et al.	361/321.3
4,437,141	A *	3/1984	Prokop	361/771
4,522,449	A *	6/1985	Hayward	361/775
4,551,746	A *	11/1985	Gilbert et al.	257/691
4,616,655	A *	10/1986	Weinberg et al.	607/2
4,627,533	A *	12/1986	Pollard	331/177 R
4,630,171	A *	12/1986	Dubuisson et al.	361/321.1
4,661,884	A *	4/1987	Seaman	361/306.2
4,750,246	A *	6/1988	Pollard	29/25.35
4,775,917	A *	10/1988	Eichhorn et al.	361/708
D299,139	S *	12/1988	Toft et al.	D14/357
4,790,894	A *	12/1988	Homma et al.	156/250
4,821,007	A *	4/1989	Fields et al.	333/238
4,842,184	A *	6/1989	Miller, Jr.	228/180.1

(Continued)

Primary Examiner — Susan Moon Lee

(74) Attorney, Agent, or Firm — Fredrikson & Byron, P.A.

(57) **CLAIM**

I claim the ornamental design for a module, as shown and described.

DESCRIPTION

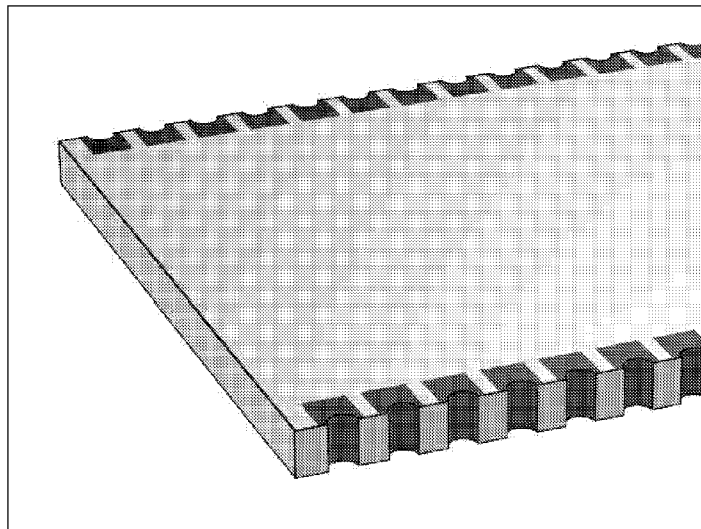
FIG. 1 is a top view of my new design for a module;

FIG. 2 is a partial perspective view thereof.

FIG. 3 is a right side view thereof, the left side view being a mirror image thereof; and,

FIG. 4 is a front view thereof, the rear view being a mirror image thereof.

1 Claim, 4 Drawing Sheets



(56)

References Cited

U.S. PATENT DOCUMENTS

4,852,227	A *	8/1989	Burks	29/25.42	6,378,757	B1 *	4/2002	Holcombe et al.	228/166
4,853,826	A *	8/1989	Hernandez	361/306.2	6,383,835	B1 *	5/2002	Hata et al.	438/65
4,947,286	A *	8/1990	Kaneko et al.	361/321.2	6,388,264	B1 *	5/2002	Pace	250/551
4,956,694	A *	9/1990	Eide	257/686	6,407,904	B1 *	6/2002	Kuroda et al.	361/303
4,963,843	A *	10/1990	Peckham	333/203	6,407,906	B1 *	6/2002	Ahiko et al.	361/306.1
4,978,639	A *	12/1990	Hua et al.	438/465	6,418,030	B1 *	7/2002	Yamaguchi et al.	361/760
5,092,035	A *	3/1992	McMichen et al.	29/845	6,452,112	B1 *	9/2002	Terashima et al.	174/260
5,126,286	A *	6/1992	Chance	438/462	6,456,168	B1 *	9/2002	Luff	331/68
5,138,115	A *	8/1992	Lam	174/551	6,462,408	B1 *	10/2002	Wehrly, Jr.	257/686
5,140,745	A *	8/1992	McKenzie, Jr.	29/852	D466,093	S *	11/2002	Ebihara et al.	D13/182
5,206,495	A *	4/1993	Kreft	235/492	6,496,355	B1 *	12/2002	Galvagni et al.	361/306.3
5,224,021	A *	6/1993	Takada et al.	361/774	D471,167	S *	3/2003	Ebihara et al.	D13/182
5,225,969	A *	7/1993	Takaya et al.	361/795	6,528,870	B2 *	3/2003	Fukatsu et al.	257/685
5,239,198	A *	8/1993	Lin et al.	257/693	6,534,726	B1 *	3/2003	Okada et al.	174/263
5,247,423	A *	9/1993	Lin et al.	361/719	D474,773	S *	5/2003	Kondo	D14/435
5,266,833	A *	11/1993	Capps	257/690	6,566,611	B2 *	5/2003	Kochanowski et al.	174/261
5,293,067	A *	3/1994	Thompson et al.	257/668	6,576,999	B2 *	6/2003	Sakai et al.	257/730
5,309,326	A *	5/1994	Minoru	361/790	6,583,981	B2 *	6/2003	Moriwaki et al.	361/321.2
5,313,096	A *	5/1994	Eide	257/686	D476,962	S *	7/2003	Yoshihira et al.	D13/182
D350,125	S *	8/1994	Saitoh	D14/436	6,601,295	B2 *	8/2003	Maekawa	29/841
5,367,430	A *	11/1994	DeVoe et al.	361/328	6,601,296	B1 *	8/2003	Dailey et al.	29/848
5,376,778	A *	12/1994	Kreft	235/382	6,606,237	B1 *	8/2003	Naito et al.	361/306.3
5,383,095	A *	1/1995	Korsunsky et al.	361/785	6,624,505	B2 *	9/2003	Badehi	257/678
5,386,087	A *	1/1995	Lee et al.	174/261	6,639,311	B2 *	10/2003	Sakai et al.	257/700
5,428,885	A *	7/1995	Takaya et al.	29/25.42	6,657,848	B2 *	12/2003	Togashi et al.	361/306.3
5,434,745	A *	7/1995	Shokrgozar et al.	361/735	6,665,930	B2 *	12/2003	Matuschik	29/840
5,471,368	A *	11/1995	Downie et al.	361/760	6,670,700	B1 *	12/2003	Hashimoto	257/686
5,488,765	A *	2/1996	Kubota et al.	29/593	6,700,794	B2 *	3/2004	Vinson et al.	361/782
5,493,769	A *	2/1996	Sakai et al.	29/593	6,713,868	B2 *	3/2004	Ueno	257/730
5,502,885	A *	4/1996	Hanamura et al.	29/621	6,714,420	B2 *	3/2004	Yoshisato et al.	361/760
5,514,907	A *	5/1996	Moshayedi	257/723	6,724,083	B2 *	4/2004	Ohuchi et al.	257/734
5,570,505	A *	11/1996	Downie et al.	29/840	6,727,116	B2 *	4/2004	Poo et al.	438/106
5,599,413	A *	2/1997	Nakao et al.	156/89.12	6,751,101	B2 *	6/2004	Sakai	361/736
5,600,101	A *	2/1997	Sakai	174/261	D493,152	S *	7/2004	Baker et al.	D13/182
5,604,328	A *	2/1997	Kubota et al.	174/524	6,759,940	B2 *	7/2004	Mazzochette	338/22 R
5,621,619	A *	4/1997	Seffernick et al.	361/773	6,760,227	B2 *	7/2004	Sakai et al.	361/736
5,625,935	A *	5/1997	Kubota et al.	29/25.42	6,795,294	B2 *	9/2004	Kuroda et al.	361/306.1
5,635,669	A *	6/1997	Kubota et al.	174/524	6,803,251	B2 *	10/2004	Kwon et al.	438/106
5,635,670	A *	6/1997	Kubota et al.	174/524	6,818,977	B2 *	11/2004	Poo et al.	257/685
5,644,107	A *	7/1997	Kubota et al.	174/262	6,822,321	B2 *	11/2004	Crescenzi, Jr.	257/691
5,661,420	A *	8/1997	Killion et al.	327/29	D499,379	S *	12/2004	Zhu et al.	D13/147
5,714,239	A *	2/1998	Maeda et al.	428/209	6,828,656	B2 *	12/2004	Forbes et al.	257/621
5,729,437	A *	3/1998	Hashimoto	361/760	D501,448	S *	2/2005	Ishikawa	D13/147
5,731,709	A *	3/1998	Pastore et al.	324/750.05	6,855,572	B2 *	2/2005	Jeung et al.	438/106
5,740,010	A *	4/1998	Devoe et al.	361/321.1	6,862,190	B2 *	3/2005	Olzak et al.	361/768
5,752,182	A *	5/1998	Nakatsuka et al.	455/333	6,906,907	B2 *	6/2005	Prymak et al.	361/306.3
5,773,812	A *	6/1998	Kreft	235/492	D508,235	S *	8/2005	Suenaga	D13/180
5,811,799	A *	9/1998	Wu	250/239	D508,682	S *	8/2005	Yamada et al.	D13/182
5,832,600	A *	11/1998	Hashimoto	29/841	6,929,974	B2 *	8/2005	Ding et al.	438/106
5,841,217	A *	11/1998	Kizaki et al.	310/348	6,933,209	B2 *	8/2005	Chiou et al.	438/455
5,847,930	A *	12/1998	Kazle	361/736	6,934,145	B2 *	8/2005	Hsieh et al.	361/321.2
5,854,534	A *	12/1998	Beilin et al.	257/691	6,949,819	B2 *	9/2005	Saito et al.	257/692
5,877,561	A *	3/1999	Kim	257/796	6,956,252	B2 *	10/2005	Mizutani et al.	257/226
5,917,709	A *	6/1999	Johnson et al.	361/803	6,960,366	B2 *	11/2005	Ritter et al.	427/79
5,949,294	A *	9/1999	Kondo et al.	331/68	6,987,315	B2 *	1/2006	Jun et al.	257/703
5,966,052	A *	10/1999	Sakai	331/68	6,998,926	B2 *	2/2006	Miyazaki et al.	331/68
D416,236	S *	11/1999	Kobayashi et al.	D13/182	7,024,947	B2 *	4/2006	Ishiguro et al.	73/862.451
5,979,048	A *	11/1999	Nishikawa et al.	29/885	D521,952	S *	5/2006	Yamada et al.	D13/182
5,991,162	A *	11/1999	Saso	361/760	7,041,527	B2 *	5/2006	Wu	438/65
6,046,409	A *	4/2000	Ishii et al.	174/255	7,045,386	B2 *	5/2006	Hikita et al.	438/107
6,057,597	A *	5/2000	Farnworth et al.	257/710	7,050,288	B2 *	5/2006	Ahiko et al.	361/303
6,058,004	A *	5/2000	Duva et al.	361/301.4	7,067,172	B2 *	6/2006	Ritter et al.	427/79
6,084,780	A *	7/2000	Happoya	361/767	7,068,490	B2 *	6/2006	Prymak	361/306.3
D429,704	S *	8/2000	Kang	D13/182	7,098,081	B2 *	8/2006	Sakakibara et al.	438/123
6,115,262	A *	9/2000	Brunner et al.	361/774	7,098,531	B2 *	8/2006	Saito et al.	257/692
6,144,090	A *	11/2000	Higashiguchi	257/693	7,123,108	B2 *	10/2006	Isimaru	331/68
6,147,876	A *	11/2000	Yamaguchi et al.	361/766	7,126,226	B2 *	10/2006	Hikita et al.	257/777
6,181,560	B1 *	1/2001	Kim	361/704	7,151,310	B2 *	12/2006	Nakano	257/700
6,218,628	B1 *	4/2001	Schmidt et al.	174/250	7,152,291	B2 *	12/2006	Ritter et al.	29/25.42
D444,132	S *	6/2001	Iwanishi et al.	D13/182	7,168,161	B2 *	1/2007	Hanada et al.	29/841
6,278,178	B1 *	8/2001	Kwon et al.	257/684	D536,309	S *	2/2007	Muguruma et al.	D13/180
6,287,949	B1 *	9/2001	Mori et al.	438/612	7,177,137	B2 *	2/2007	Ritter et al.	361/306.3
6,288,345	B1 *	9/2001	Akale et al.	174/255	7,189,083	B2 *	3/2007	Seidler et al.	439/83
D453,734	S *	2/2002	Shimoyama et al.	D13/147	7,212,395	B2 *	5/2007	Li et al.	361/306.1
D455,125	S *	4/2002	Shimoyama et al.	D13/147	D544,447	S *	6/2007	Peng et al.	D13/147
					7,226,809	B2 *	6/2007	Poo et al.	438/109
					7,232,318	B2 *	6/2007	Wang	439/135
					7,247,509	B2 *	7/2007	Yamauchi et al.	438/33
					7,273,765	B2 *	9/2007	Minamio et al.	438/68

(56)

References Cited

U.S. PATENT DOCUMENTS

7,285,850	B2 *	10/2007	Poo et al.	257/692	7,829,977	B2 *	11/2010	Shin et al.	257/622
7,291,235	B2 *	11/2007	Prymak	156/89.12	7,843,115	B2 *	11/2010	Dalla Piazza et al.	310/344
7,304,377	B2 *	12/2007	Nakano	257/700	7,888,185	B2 *	2/2011	Corisis et al.	438/123
7,335,951	B2 *	2/2008	Nishi et al.	257/350	7,932,786	B2 *	4/2011	Moriya et al.	331/68
7,411,776	B2 *	8/2008	Aoki	361/306.3	D643,040	S *	8/2011	Sedio et al.	D14/436
7,420,262	B2 *	9/2008	Bauer et al.	257/620	8,021,965	B1 *	9/2011	Bernstein et al.	438/462
7,429,501	B1 *	9/2008	Wu et al.	438/121	8,065,792	B2 *	11/2011	Chia et al.	29/831
7,433,172	B2 *	10/2008	Togashi	361/306.1	8,106,488	B2 *	1/2012	Chua et al.	257/662
D582,852	S *	12/2008	Hoshino et al.	D13/147	8,113,888	B2 *	2/2012	Carter et al.	439/676
D582,858	S *	12/2008	Hoshino et al.	D13/147	8,138,617	B2 *	3/2012	Poo et al.	257/690
7,466,535	B2 *	12/2008	Takashima et al.	361/306.3	8,159,813	B2 *	4/2012	Lee et al.	361/329
7,502,216	B2 *	3/2009	Lee et al.	361/306.3	2001/0055191	A1 *	12/2001	Naito et al.	361/303
7,506,438	B1 *	3/2009	Fu et al.	29/852	2002/0029904	A1 *	3/2002	Matuschik	174/263
7,508,647	B2 *	3/2009	Takashima et al.	361/306.3	2002/0116668	A1 *	8/2002	Chhor et al.	714/42
7,554,189	B1 *	6/2009	Li et al.	257/698	2002/0123213	A1 *	9/2002	Williams	438/597
7,576,968	B2 *	8/2009	Ritter et al.	361/306.3	2002/0171997	A1 *	11/2002	Togashi et al.	361/308.1
7,599,166	B2 *	10/2009	Lee et al.	361/306.3	2003/0071341	A1 *	4/2003	Jeung et al.	257/686
7,612,443	B1 *	11/2009	Bernstein et al.	257/685	2003/0117784	A1 *	6/2003	Fukunabe et al.	361/760
7,616,427	B2 *	11/2009	Takashima et al.	361/321.2	2003/0232462	A1 *	12/2003	Poo et al.	438/117
D605,613	S *	12/2009	Carter et al.	D13/182	2004/0157410	A1 *	8/2004	Yamaguchi	438/460
D616,373	S *	5/2010	Hemmi et al.	D13/154	2004/0207049	A1 *	10/2004	Bauer et al.	257/620
7,750,441	B2 *	7/2010	Hsu et al.	257/621	2004/0218344	A1 *	11/2004	Ritter et al.	361/306.3
7,791,173	B2 *	9/2010	Park	257/620	2005/0130345	A1 *	6/2005	Jeung et al.	438/106
7,820,484	B2 *	10/2010	Chua et al.	438/109	2007/0205017	A1 *	9/2007	Takakusaki et al.	174/260
					2008/0211113	A1 *	9/2008	Chua et al.	257/782
					2010/0146780	A1 *	6/2010	Chia et al.	29/846

* cited by examiner

FIG. 1



FIG. 2

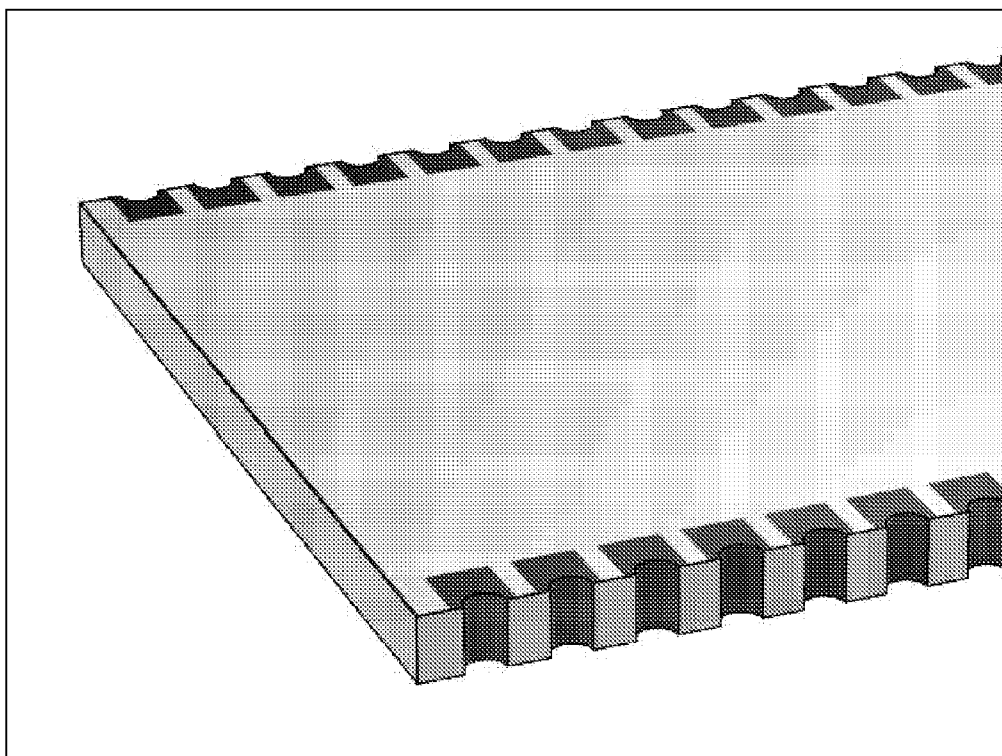


FIG. 3



FIG. 4

