



US00D788717S

(12) **United States Design Patent**  
**Michelin**

(10) **Patent No.:** **US D788,717 S**  
(45) **Date of Patent:** **\*\* Jun. 6, 2017**

- (54) **REMOTE CONTROL**
- (71) Applicant: **CONTROLLED ENTRY DISTRIBUTORS, INC.**, Salt Lake City, UT (US)
- (72) Inventor: **Nicola Michelin**, Noventa di Piave (IT)
- (73) Assignee: **CONTROLLED ENTRY DISTRIBUTORS, INC.**, Salt Lake City, UT (US)
- (\*\*) Term: **15 Years**
- (21) Appl. No.: **29/546,482**
- (22) Filed: **Nov. 23, 2015**
- (51) **LOC (10) Cl.** ..... **14-03**
- (52) **U.S. Cl.**  
USPC ..... **D13/168**
- (58) **Field of Classification Search**  
USPC ..... D13/168; D10/104.1, 106.1; D3/207, D3/208; D8/347  
CPC ... B60R 2225/00; B60R 25/00; B60R 25/104; H01H 9/02; H01H 9/0214; H01H 9/0235; G07C 9/00944; G05B 1/01; E05B 19/0082; E05B 19/04; Y10T 70/8676  
See application file for complete search history.

- 8,406,000 B2 \* 3/2013 Zaitz ..... G07C 9/00944 361/752
- 8,662,688 B2 \* 3/2014 Nickel ..... E05B 19/043 362/23.03
- D712,381 S \* 9/2014 Hwang ..... D14/218
- 9,244,480 B2 \* 1/2016 Jurek ..... H01H 9/0235
- 2004/0099430 A1 \* 5/2004 Scudder ..... G07C 9/00944 174/564
- 2007/0227866 A1 \* 10/2007 Dimig ..... E05B 19/0082 200/302.2
- 2008/0087062 A1 \* 4/2008 Chen ..... A45C 11/32 70/456 R
- 2009/0128288 A1 \* 5/2009 Fujimoto ..... G07C 9/00944 340/5.64
- 2010/0102927 A1 \* 4/2010 Monig ..... B60R 25/2009 340/5.64
- 2014/0043140 A1 \* 2/2014 Nakabayashi ..... G07C 9/00944 340/5.72
- 2016/0278229 A1 \* 9/2016 Saito ..... H01H 9/0235

\* cited by examiner

*Primary Examiner* — Selina Sikder  
(74) *Attorney, Agent, or Firm* — Holland & Hart

(57) **CLAIM**

The ornamental design for remote control, as shown and described.

**DESCRIPTION**

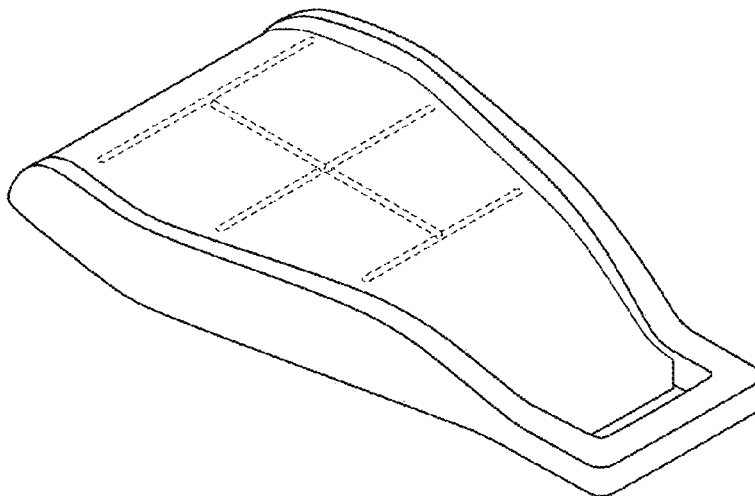
FIG. 1 is a right side view of remote control according to the present invention;  
FIG. 2 is a front view thereof;  
FIG. 3 is a left side view thereof;  
FIG. 4 is a rear view thereof;  
FIG. 5 is a top view thereof;  
FIG. 6 is a bottom view thereof; and,  
FIG. 7 is a perspective view thereof.  
The broken line showing portions of the remote control is for illustrative purposes only forms no part of the claimed design.

**1 Claim, 7 Drawing Sheets**

(56) **References Cited**

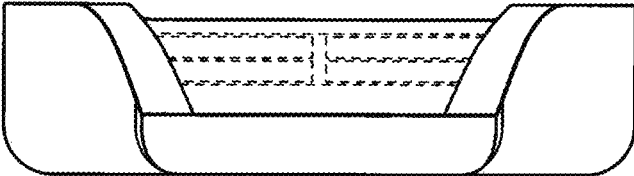
**U.S. PATENT DOCUMENTS**

- D514,527 S \* 2/2006 DiPasquale ..... D13/168
- 7,041,924 B2 \* 5/2006 Jeschke ..... G07C 9/00944 200/302.2
- D528,511 S \* 9/2006 Li ..... D13/168
- D588,555 S \* 3/2009 Navarrete ..... D13/168
- D622,710 S \* 8/2010 Goransson ..... D14/218
- 8,029,409 B2 \* 10/2011 Vermeersch ..... B60R 25/066 477/96
- D670,255 S \* 11/2012 Clark ..... D13/168

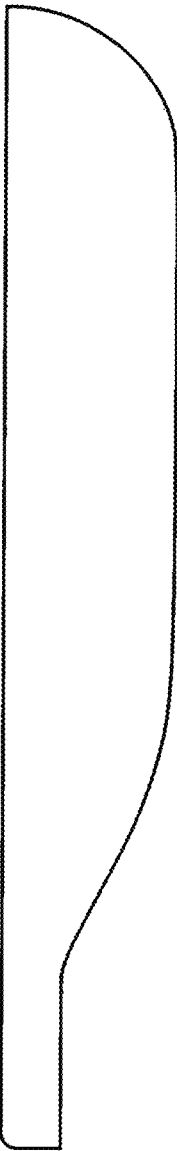




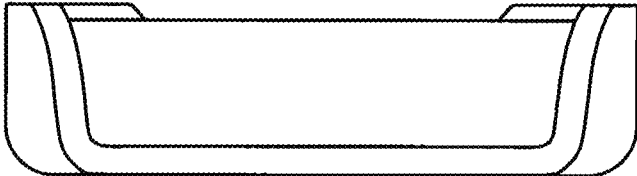
**FIG. 1**



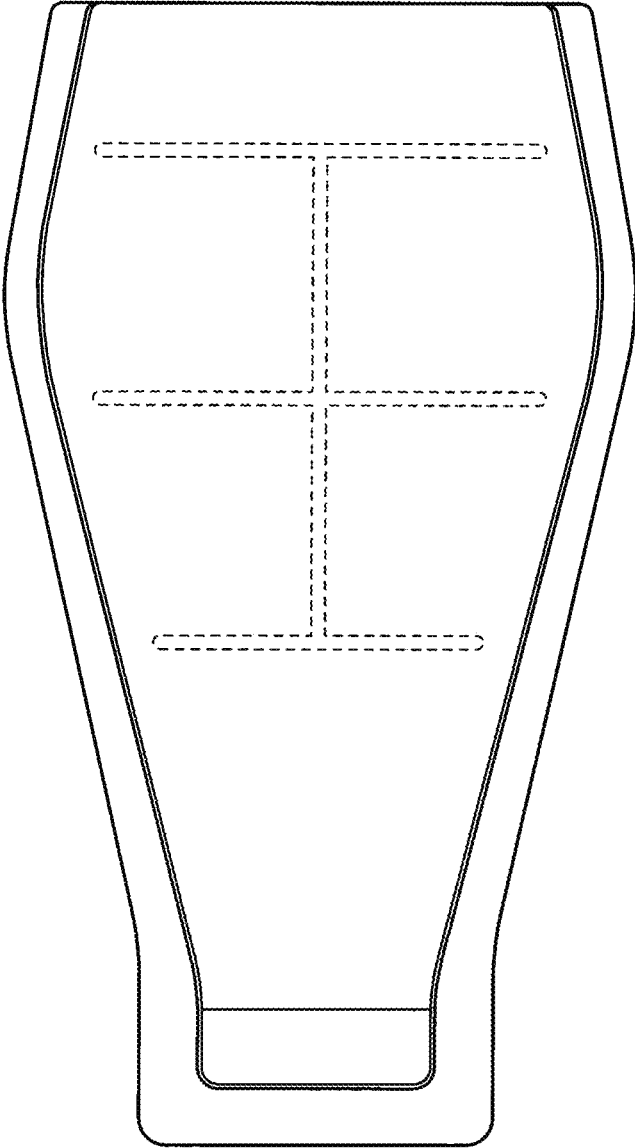
**FIG. 2**



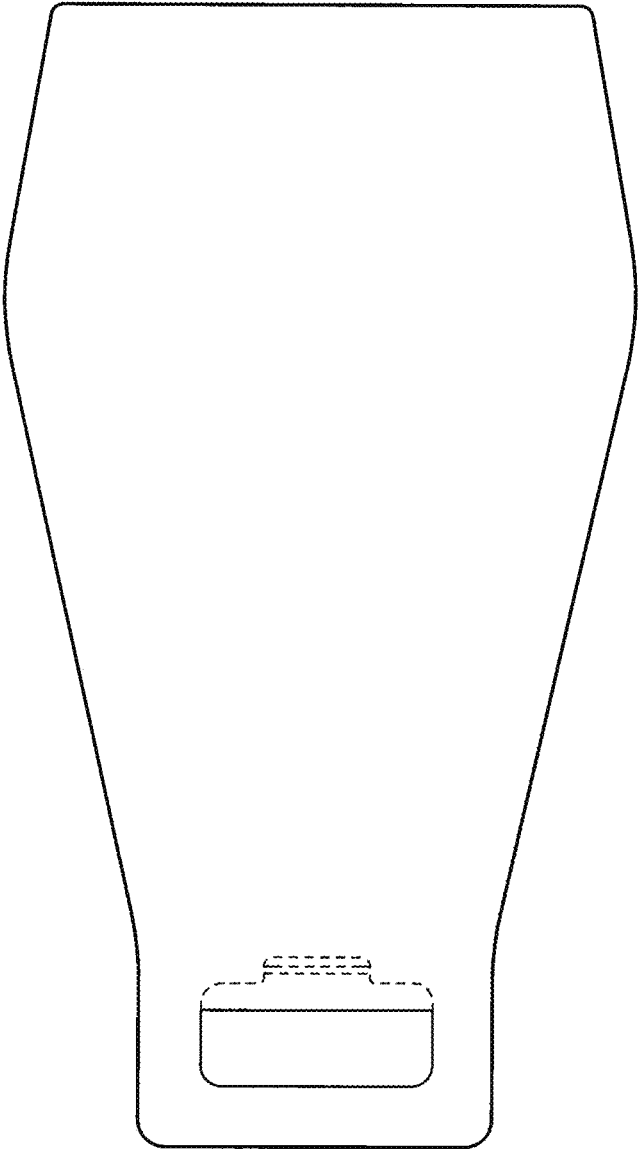
**FIG. 3**



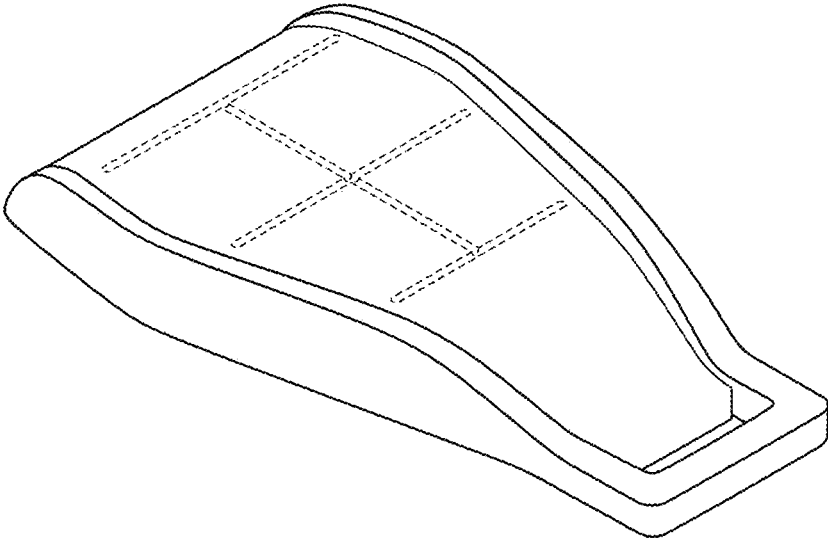
**FIG. 4**



**FIG. 5**



**FIG. 6**



**FIG. 7**