

(19) World Intellectual Property Organization
International Bureau



(43) International Publication Date
15 May 2003 (15.05.2003)

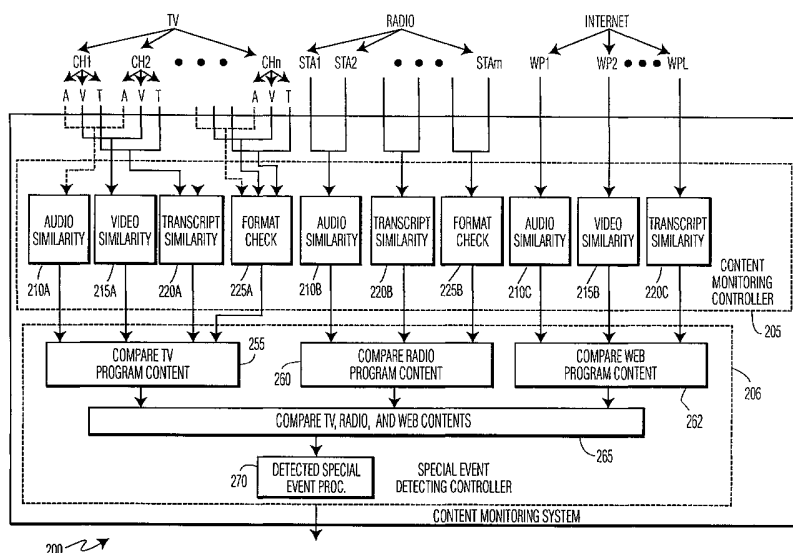
PCT

(10) International Publication Number
WO 2003/041311 A3

- (51) International Patent Classification⁷: H04H 1/00, G08B 21/00, 25/08
- (74) Agent: GROENENDAAL, Antonius, W., M.; Philips Intellectual Property & Standards, Prof. Holstlaan 6, NL-5656 AA Eindhoven (NL).
- (21) International Application Number: PCT/IB2002/004391
- (81) Designated States (national): AE, AG, AL, AM, AT, AU, AZ, BA, BB, BG, BR, BY, BZ, CA, CH, CN, CO, CR, CU, CZ, DE, DK, DM, DZ, EC, EE, ES, FI, GB, GD, GE, GH, GM, HR, HU, ID, IL, IN, IS, JP, KE, KG, KP, KR, KZ, LC, LK, LR, LS, LT, LU, LV, MA, MD, MG, MK, MN, MW, MX, MZ, NO, NZ, OM, PH, PL, PT, RO, RU, SD, SE, SG, SI, SK, SL, TJ, TM, TN, TR, TT, TZ, UA, UG, UZ, VC, VN, YU, ZA, ZM, ZW.
- (22) International Filing Date: 21 October 2002 (21.10.2002)
- (25) Filing Language: English
- (26) Publication Language: English
- (30) Priority Data: 09/990,830 9 November 2001 (09.11.2001) US
- (84) Designated States (regional): ARIPO patent (GH, GM, KE, LS, MW, MZ, SD, SL, SZ, TZ, UG, ZM, ZW), Eurasian patent (AM, AZ, BY, KG, KZ, MD, RU, TJ, TM), European patent (AT, BE, BG, CH, CY, CZ, DE, DK, EE, ES, FI, FR, GB, GR, IE, IT, LU, MC, NL, PT, SE, SK, TR), OAPI patent (BF, BJ, CF, CG, CI, CM, GA, GN, GQ, GW, ML, MR, NE, SN, TD, TG).
- (71) Applicant: KONINKLIJKE PHILIPS ELECTRONICS N.V. [NL/NL]; Groenewoudseweg 1, NL-5621 BA Eindhoven (NL).
- (72) Inventors: ZIMMERMAN, John; Prof. Holstlaan 6, NL-5656 AA Eindhoven (NL). AGNIHOTRI, Lalitha; Prof. Holstlaan 6, NL-5656 AA Eindhoven (NL). JASINSCHI, Radu, S.; Prof. Holstlaan 6, NL-5656 AA Eindhoven (NL).
- Published: with international search report
- (88) Date of publication of the international search report: 27 May 2004

[Continued on next page]

(54) Title: SYSTEMS FOR MONITORING BROADCAST CONTENT



(57) Abstract: There are disclosed systems for monitoring broadcast content and generating notification signals as a function of subscriber profiles and methods of operating the same. According to an exemplary embodiment, a monitoring system is introduced that is capable of identifying special event content within a plurality of broadcast streams, each of the plurality of broadcast content streams having detectable content attributes. The monitoring system is operable to (i) sense a content change within at least one of the plurality of broadcast content streams as a function of the detectable content attributes, (ii) detect a special event content broadcast content streams as a function of the sensed content change, and (iii) selectively generate a notification signal as a function of the detected special event content and a subscriber profile.

WO 2003/041311 A3



For two-letter codes and other abbreviations, refer to the "Guidance Notes on Codes and Abbreviations" appearing at the beginning of each regular issue of the PCT Gazette.

INTERNATIONAL SEARCH REPORT

International Application No
PCT/IB 02/04391

A. CLASSIFICATION OF SUBJECT MATTER
IPC 7 H04H1/00 G08B21/00 G08B25/08

According to International Patent Classification (IPC) or to both national classification and IPC

B. FIELDS SEARCHED

Minimum documentation searched (classification system followed by classification symbols)
IPC 7 H04H G08B

Documentation searched other than minimum documentation to the extent that such documents are included in the fields searched

Electronic data base consulted during the international search (name of data base and, where practical, search terms used)

EPO-Internal, WPI Data, PAJ

C. DOCUMENTS CONSIDERED TO BE RELEVANT

| Category ° | Citation of document, with indication, where appropriate, of the relevant passages | Relevant to claim No. |
|------------|--|-----------------------|
| X | US 6 278 375 B1 (HUCKER WADE A) 21 August 2001 (2001-08-21) column 1, line 62 -column 3, line 64 column 5, line 30 -column 7, line 15 | 1,2,4,8, 9,13,14 |
| Y | --- | 3 |
| X | US 6 204 761 B1 (VANDERABLE JEROME) 20 March 2001 (2001-03-20) column 1, line 42 -column 4, line 50 | 1,2,4,8, 9,13,14 |
| Y | --- | 3 |
| A | WO 01 45386 A (KONINKL PHILIPS ELECTRONICS NV) 21 June 2001 (2001-06-21) the whole document ----- | 1,2,4,8, 9,13,14 |

Further documents are listed in the continuation of box C.

Patent family members are listed in annex.

° Special categories of cited documents :

"A" document defining the general state of the art which is not considered to be of particular relevance

"E" earlier document but published on or after the international filing date

"L" document which may throw doubts on priority claim(s) or which is cited to establish the publication date of another citation or other special reason (as specified)

"O" document referring to an oral disclosure, use, exhibition or other means

"P" document published prior to the international filing date but later than the priority date claimed

"T" later document published after the international filing date or priority date and not in conflict with the application but cited to understand the principle or theory underlying the invention

"X" document of particular relevance; the claimed invention cannot be considered novel or cannot be considered to involve an inventive step when the document is taken alone

"Y" document of particular relevance; the claimed invention cannot be considered to involve an inventive step when the document is combined with one or more other such documents, such combination being obvious to a person skilled in the art.

"&" document member of the same patent family

Date of the actual completion of the international search

16 January 2003

Date of mailing of the international search report

25. 04. 2003

Name and mailing address of the ISA

European Patent Office, P.B. 5818 Patentlaan 2
NL - 2280 HV Rijswijk
Tel. (+31-70) 340-2040, Tx. 31 651 epo nl,
Fax: (+31-70) 340-3016

Authorized officer

Kalabic, F

INTERNATIONAL SEARCH REPORT

International application No.
PCT/IB 02/04391

Box I Observations where certain claims were found unsearchable (Continuation of item 1 of first sheet)

This International Search Report has not been established in respect of certain claims under Article 17(2)(a) for the following reasons:

1. Claims Nos.:
because they relate to subject matter not required to be searched by this Authority, namely:

2. Claims Nos.:
because they relate to parts of the International Application that do not comply with the prescribed requirements to such an extent that no meaningful International Search can be carried out, specifically:

3. Claims Nos.:
because they are dependent claims and are not drafted in accordance with the second and third sentences of Rule 6.4(a).

Box II Observations where unity of invention is lacking (Continuation of item 2 of first sheet)

This International Searching Authority found multiple inventions in this international application, as follows:

see additional sheet

1. As all required additional search fees were timely paid by the applicant, this International Search Report covers all searchable claims.
2. As all searchable claims could be searched without effort justifying an additional fee, this Authority did not invite payment of any additional fee.
3. As only some of the required additional search fees were timely paid by the applicant, this International Search Report covers only those claims for which fees were paid, specifically claims Nos.:
4. No required additional search fees were timely paid by the applicant. Consequently, this International Search Report is restricted to the invention first mentioned in the claims; it is covered by claims Nos.:

1-4,8,9,13,14

Remark on Protest

- The additional search fees were accompanied by the applicant's protest.
- No protest accompanied the payment of additional search fees.

FURTHER INFORMATION CONTINUED FROM PCT/ISA/ 210

This International Searching Authority found multiple (groups of) inventions in this international application, as follows:

1. Claims: 1-4, 8, 9, 13, 14

Subscriber profile

2. Claims: 5-7

Mathematical representation

3. Claims: 10-12

Textual content

INTERNATIONAL SEARCH REPORT
Information on patent family members

International Application No
PCT/IB 02/04391

| Patent document cited in search report | | Publication date | Patent family member(s) | Publication date |
|--|----|------------------|-------------------------|------------------|
| US 6278375 | B1 | 21-08-2001 | NONE | |
| ----- | | | | |
| US 6204761 | B1 | 20-03-2001 | NONE | |
| ----- | | | | |
| WO 0145386 | A | 21-06-2001 | CN 1354951 T | 19-06-2002 |
| | | | WO 0145386 A2 | 21-06-2001 |
| | | | EP 1177685 A2 | 06-02-2002 |
| ----- | | | | |