



(43) International Publication Date  
22 September 2016 (22.09.2016)

- (51) International Patent Classification:  
*E04H 15/20* (2006.01)
- (21) International Application Number:  
PCT/SK2016/050002
- (22) International Filing Date:  
15 March 2016 (15.03.2016)
- (25) Filing Language: Slovak
- (26) Publication Language: English
- (30) Priority Data:  
PUV 50025-2015 16 March 2015 (16.03.2015) SK
- (71) Applicant: ZEPELIN, S.R.O. [SK/SK]; Gen. M. R. Štefánika 7061, 911 01 Trenčín (SK).
- (72) Inventor: BREZAN, Juraj; Kubranská 1729/284, 911 01 Trenčín (SK).
- (74) Agent: KUBÍNYI, Peter; Piaristická 9, 911 01 Trenčín (SK).
- (81) Designated States (unless otherwise indicated, for every kind of national protection available): AE, AG, AL, AM, AO, AT, AU, AZ, BA, BB, BG, BH, BN, BR, BW, BY, BZ, CA, CH, CL, CN, CO, CR, CU, CZ, DE, DK, DM, DO, DZ, EC, EE, EG, ES, FI, GB, GD, GE, GH, GM, GT, HN, HR, HU, ID, IL, IN, IR, IS, JP, KE, KG, KN, KP, KR,

KZ, LA, LC, LK, LR, LS, LU, LY, MA, MD, ME, MG, MK, MN, MW, MX, MY, MZ, NA, NG, NI, NO, NZ, OM, PA, PE, PG, PH, PL, PT, QA, RO, RS, RU, RW, SA, SC, SD, SE, SG, SK, SL, SM, ST, SV, SY, TH, TJ, TM, TN, TR, TT, TZ, UA, UG, US, UZ, VC, VN, ZA, ZM, ZW.

- (84) Designated States (unless otherwise indicated, for every kind of regional protection available): ARIPO (BW, GH, GM, KE, LR, LS, MW, MZ, NA, RW, SD, SL, ST, SZ, TZ, UG, ZM, ZW), Eurasian (AM, AZ, BY, KG, KZ, RU, TJ, TM), European (AL, AT, BE, BG, CH, CY, CZ, DE, DK, EE, ES, FI, FR, GB, GR, HR, HU, IE, IS, IT, LT, LU, LV, MC, MK, MT, NL, NO, PL, PT, RO, RS, SE, SI, SK, SM, TR), OAPI (BF, BJ, CF, CG, CI, CM, GA, GN, GQ, GW, KM, ML, MR, NE, SN, TD, TG).

**Declarations under Rule 4.17:**

- as to the identity of the inventor (Rule 4.17(i))
- as to applicant's entitlement to apply for and be granted a patent (Rule 4.17(ii))
- of inventorship (Rule 4.17(iv))

**Published:**

- with international search report (Art. 21(3))

[Continued on next page]

(54) Title: INFLATABLE TENT

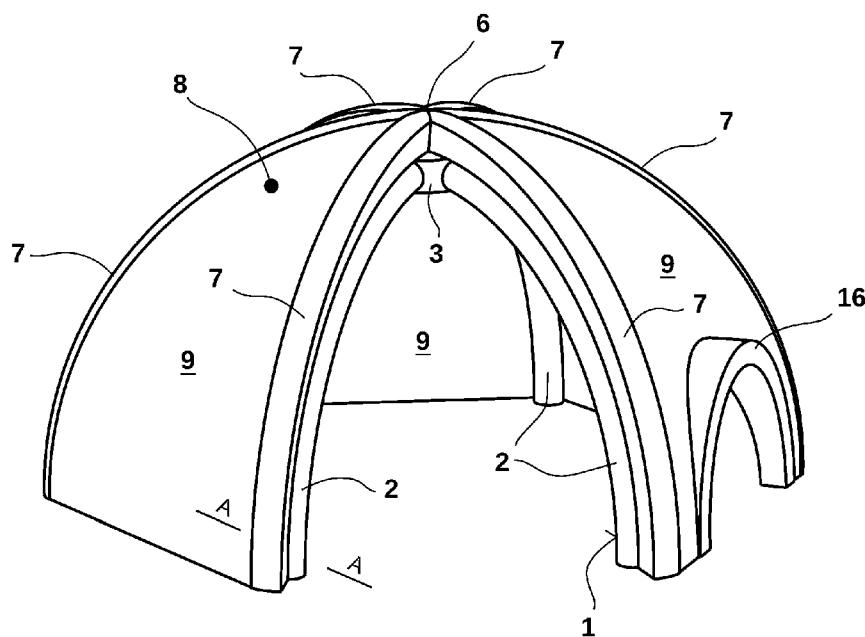


Fig. 1

(57) Abstract: Inflatable tent has its cover (8) composed of detachable separate continuously inflatable interconnecting segment (6) placed on an inflatable structure (1), whose chambers (7) corresponds with the directions of the inflatable tubes (2) of the inflatable structure (1), where separate modular continuously inflatable panels (9) are connected to the segment (6) between the chambers (7) of the interconnecting segment (6).



---

— *before the expiration of the time limit for amending the claims and to be republished in the event of receipt of amendments (Rule 48.2(h))*

**(88) Date of publication of the international search report:**  
29 December 2016

INTERNATIONAL SEARCH REPORT

International application No  
PCT/SK2016/050002

A. CLASSIFICATION OF SUBJECT MATTER  
INV. E04H15/20  
ADD.  
According to International Patent Classification (IPC) or to both national classification and IPC

B. FIELDS SEARCHED  
Minimum documentation searched (classification system followed by classification symbols)  
E04H  
Documentation searched other than minimum documentation to the extent that such documents are included in the fields searched

Electronic data base consulted during the international search (name of data base and, where practicable, search terms used)  
EPO-Internal

C. DOCUMENTS CONSIDERED TO BE RELEVANT		
Category*	Citation of document, with indication, where appropriate, of the relevant passages	Relevant to claim No.
A	US 4 807 405 A (BORGQUIST RONALD B [US]) 28 February 1989 (1989-02-28) cited in the application column 3, line 23 - column 4, line 37; figures 1,5 -----	1-7
A	US 3 304 665 A (LEE JOHN F) 21 February 1967 (1967-02-21) column 1, lines 43-56; figures 2,3 -----	1-7
A	GB 1 046 632 A (ML AVIATION CO LTD) 26 October 1966 (1966-10-26) page 2, lines 38-89; figures 1,2 -----	1-7
A	US 4 114 325 A (HOCHSTEIN ALFRED) 19 September 1978 (1978-09-19) column 2, lines 56-58; figure 1 ----- -/--	2

Further documents are listed in the continuation of Box C.

See patent family annex.

\* Special categories of cited documents :

- "A" document defining the general state of the art which is not considered to be of particular relevance
- "E" earlier application or patent but published on or after the international filing date
- "L" document which may throw doubts on priority claim(s) or which is cited to establish the publication date of another citation or other special reason (as specified)
- "O" document referring to an oral disclosure, use, exhibition or other means
- "P" document published prior to the international filing date but later than the priority date claimed

- "T" later document published after the international filing date or priority date and not in conflict with the application but cited to understand the principle or theory underlying the invention
- "X" document of particular relevance; the claimed invention cannot be considered novel or cannot be considered to involve an inventive step when the document is taken alone
- "Y" document of particular relevance; the claimed invention cannot be considered to involve an inventive step when the document is combined with one or more other such documents, such combination being obvious to a person skilled in the art
- "&" document member of the same patent family

Date of the actual completion of the international search  9 November 2016	Date of mailing of the international search report  24/11/2016
Name and mailing address of the ISA/ European Patent Office, P.B. 5818 Patentlaan 2 NL - 2280 HV Rijswijk Tel. (+31-70) 340-2040, Fax: (+31-70) 340-3016	Authorized officer  Rosborough, John

## INTERNATIONAL SEARCH REPORT

International application No  
PCT/SK2016/050002

C(Continuation). DOCUMENTS CONSIDERED TO BE RELEVANT		
Category*	Citation of document, with indication, where appropriate, of the relevant passages	Relevant to claim No.
A	US 6 263 617 B1 (TURCOT JEAN-MARC DANIEL [CA] ET AL) 24 July 2001 (2001-07-24) claim 6; figure 5 -----	3-5
A	US 2 812 769 A (SCHAEFER ERNEST R ET AL) 12 November 1957 (1957-11-12) column 7, lines 8-17; figure 11 -----	6
A	US 4 120 024 A (AIZENBERG JULIAN BORISOVICH ET AL) 10 October 1978 (1978-10-10) claim 1; figures 2,3 -----	7

# INTERNATIONAL SEARCH REPORT

Information on patent family members

International application No PCT/SK2016/050002
---

Patent document cited in search report	Publication date	Publication date	Patent family member(s)	Publication date
US 4807405	A	28-02-1989	NONE	
-----				
US 3304665	A	21-02-1967	NONE	
-----				
GB 1046632	A	26-10-1966	NONE	
-----				
US 4114325	A	19-09-1978	DE 7623114 U1	09-12-1976
			US 4114325 A	19-09-1978
-----				
US 6263617	B1	24-07-2001	CA 2271605 A1	15-11-1999
			US 6263617 B1	24-07-2001
-----				
US 2812769	A	12-11-1957	NONE	
-----				
US 4120024	A	10-10-1978	NONE	
-----				