

(19) World Intellectual Property
Organization
International Bureau



(43) International Publication Date
6 March 2003 (06.03.2003)

PCT

(10) International Publication Number
WO 2003/018342 A3

(51) International Patent Classification⁷: B64D 47/00,
F16F 7/10

Crossing West, Colleyville, TX 76034 (US). POPELKA, David; 4705 Mill Brook Drive, Colleyville, TX 76034 (US). BOTHWELL, Christopher, M.; 512 Coventry Drive, Grapevine, TX 76051 (US). SMITH, Michael, Reaugh; 1700 Tyler, Colleyville, TX 76034 (US).

(21) International Application Number:
PCT/US2002/026633

(22) International Filing Date: 26 August 2002 (26.08.2002)

(74) Agent: WALTON, James, E.; Walton, James, E., P.L.L.C., 1169 N. Burleson Blvd., Suite 107-328, Burleson, TX 760028 (US).

(25) Filing Language: English

(26) Publication Language: English

(30) Priority Data:
09/939,127 24 August 2001 (24.08.2001) US

(81) Designated States (national): AE, AG, AL, AM, AT, AU, AZ, BA, BB, BG, BR, BY, BZ, CA, CH, CN, CO, CR, CU, CZ, DE, DK, DM, DZ, EC, EE, ES, FI, GB, GD, GE, GH, GM, HR, HU, ID, IL, IN, IS, JP, KE, KG, KP, KR, KZ, LC, LK, LR, LS, LT, LU, LV, MA, MD, MG, MK, MN, MW, MX, MZ, NO, NZ, OM, PH, PL, PT, RO, RU, SD, SE, SG, SI, SK, SL, TJ, TM, TN, TR, TT, TZ, UA, UG, UZ, VN, YU, ZA, ZM, ZW.

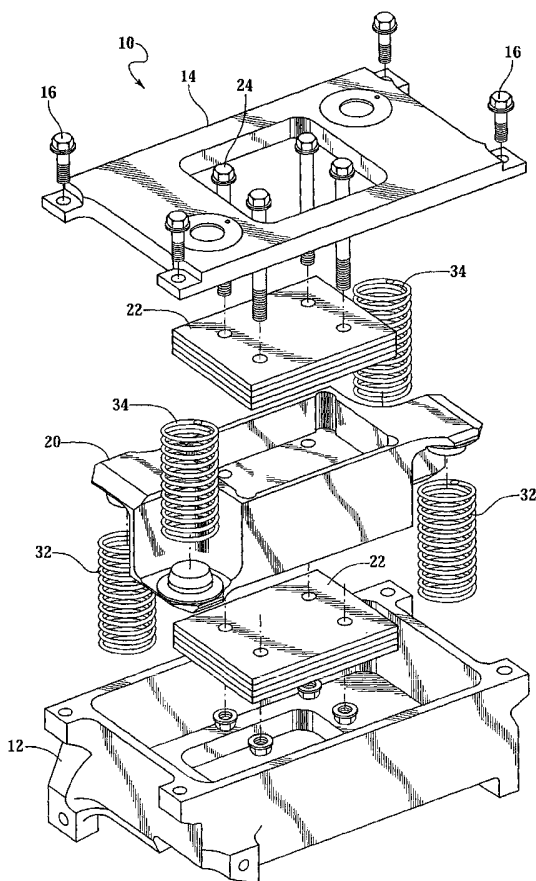
(71) Applicant: BELL HELICOPTER TEXTRON INC.
[US/US]; 600 East Hurst Boulevard, Hurst, TX 76053 (US).

(72) Inventors: LEDBETTER, Timothy, K.; 317 Kessler Drive, Euless, TX 76039 (US). STAMPS, Brad; 4705 Mill

(84) Designated States (regional): ARIPO patent (GH, GM, KE, LS, MW, MZ, SD, SL, SZ, TZ, UG, ZM, ZW),

[Continued on next page]

(54) Title: COMPACT VIBRATION CANCELLATION DEVICE



(57) Abstract: The present invention relates to an improved vibration cancellation device (10) designed to overcome many of the shortcomings inherent in prior devices. In many embodiments, the vibration cancellation device (10) is smaller in scale than prior designs, facilitating more versatility with respect to design options. The device of the present invention achieves a smaller size partly due to the use of suspension springs (32) having an offset, rather than a parallel arrangement.

WO 2003/018342 A3



Eurasian patent (AM, AZ, BY, KG, KZ, MD, RU, TJ, TM),
European patent (AT, BE, BG, CH, CY, CZ, DE, DK, EE,
ES, FI, FR, GB, GR, IE, IT, LU, MC, NL, PT, SE, SK,
TR), OAPI patent (BF, BJ, CF, CG, CI, CM, GA, GN, GQ,
GW, ML, MR, NE, SN, TD, TG).

For two-letter codes and other abbreviations, refer to the "Guidance Notes on Codes and Abbreviations" appearing at the beginning of each regular issue of the PCT Gazette.

Published:

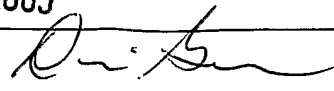
— *with international search report*

(88) Date of publication of the international search report:

12 February 2004

INTERNATIONAL SEARCH REPORT

International application No.
PCT/US02/26633

A. CLASSIFICATION OF SUBJECT MATTER		
IPC(7) :B64D 47/00; F16F 7/10 US CL :188/379; 244/17.11, 17.27; 267/136 According to International Patent Classification (IPC) or to both national classification and IPC		
B. FIELDS SEARCHED		
Minimum documentation searched (classification system followed by classification symbols) U.S. : 188/379; 244/17.11, 17.27; 267/136		
Documentation searched other than minimum documentation to the extent that such documents are included in the fields searched		
Electronic data base consulted during the international search (name of data base and, where practicable, search terms used) EAST		
C. DOCUMENTS CONSIDERED TO BE RELEVANT		
Category*	Citation of document, with indication, where appropriate, of the relevant passages	Relevant to claim No.
Y	US 989,958 A (FRAHM) 18 April 1911, see the entire document.	1-21
Y	US 3,536,165 A (Desjardins) 27 October 1970, see the entire document.	1-21
Y	US 4,365,770 A (Mard et al.) 28 December 1982, see the entire document.	1-21
Y	US 4,766,984 A (Gaffey et al.) 30 August 1988, see the entire document.	1-21
Y	US 5,072,801 A (Freyman et al.) 17 December 1991, see the entire document.	1-21
Y	US 5,505,282 A (Olgac) 9 April 1996, see the entire document.	1-21
<input checked="" type="checkbox"/> Further documents are listed in the continuation of Box C. <input type="checkbox"/> See patent family annex.		
"A"	document defining the general state of the art which is not considered to be of particular relevance	"T" later document published after the international filing date or priority date and not in conflict with the application but cited to understand the principle or theory underlying the invention
"E"	earlier document published on or after the international filing date	"X" document of particular relevance; the claimed invention cannot be considered novel or cannot be considered to involve an inventive step when the document is taken alone
"I"	document which may throw doubts on priority claim(s) or which is cited to establish the publication date of another citation or other special reason (as specified)	"Y" document of particular relevance; the claimed invention cannot be considered to involve an inventive step when the document is combined with one or more other such documents, such combination being obvious to a person skilled in the art
"O"	document referring to an oral disclosure, use, exhibition or other means	"&" document member of the same patent family
"P"	document published prior to the international filing date but later than the priority date claimed	
Date of the actual completion of the international search 22 OCTOBER 2002		Date of mailing of the international search report 01 JUL 2003
Name and mailing address of the ISA/US Commissioner of Patents and Trademarks Box PCT Washington, D.C. 20231 Facsimile No. (703) 305-8230		Authorized officer  CHRIS SCHWARTZ Telephone No. (703) 308-0576

INTERNATIONAL SEARCH REPORT

International application No.
PCT/US02/26633

C (Continuation). DOCUMENTS CONSIDERED TO BE RELEVANT		
Category*	Citation of document, with indication, where appropriate, of the relevant passages	Relevant to claim No.
Y	US 5,647,726 A (Sehgal et al.) 15 July 1997, see the entire document.	1-21
Y	US 5,775,472 A (Osterberg et al.) 7 July 1998, see the entire document.	1-21
Y	US 5,984,233 A (Snyder, Jr. et al.) 16 November 1999, see the entire document.	1-21
Y	US 6,009,986 A (Bansemir et al.) 4 January 2000, see the entire document.	1-21
Y	US 6,296,093 A (Norris et al.) 2 October 2001, see the entire document.	1-21