



US00D410970S

United States Patent [19]

[11] Patent Number: **Des. 410,970**

Larian

[45] Date of Patent: **** Jun. 15, 1999**

[54] **CAR RACING SIMULATOR ELECTRONIC GAME**

D. 379,203	5/1997	Oikawa	D14/117.1
3,568,332	3/1971	Koci et al.	273/442 X
4,658,666	4/1987	Liu	273/148 B X
5,106,102	4/1992	Mitsumoto	273/442

[75] Inventor: **Isaac Larian**, Los Angeles, Calif.

[73] Assignee: **ABC International Traders, Inc.**, North Hills, Calif.

[**] Term: **14 Years**

[21] Appl. No.: **29/090,432**

[22] Filed: **Jul. 8, 1998**

[51] **LOC (6) Cl.** **21-01**

[52] **U.S. Cl.** **D21/329; D14/117.7**

[58] **Field of Search** **D21/320, 324, D21/328, 331, 333; D14/117.1, 117.5, 117.6; 463/1, 6, 30-35, 38, 46, 47, 49; 273/148 B, 442**

[56] **References Cited**

U.S. PATENT DOCUMENTS

D. 270,460	9/1983	Burtoft et al.	D21/329
D. 316,879	5/1991	Shulman et al.	D14/117.7
D. 328,315	7/1992	Shulman	D14/117.6
D. 335,909	5/1993	Swanson et al.	D21/331

OTHER PUBLICATIONS

Toys, Hobbies and Crafts, p. 36, Jul. 1985.

Primary Examiner—Prabhakar Deshmukh

Attorney, Agent, or Firm—Oppenheimer Wolff & Donnelly LLP

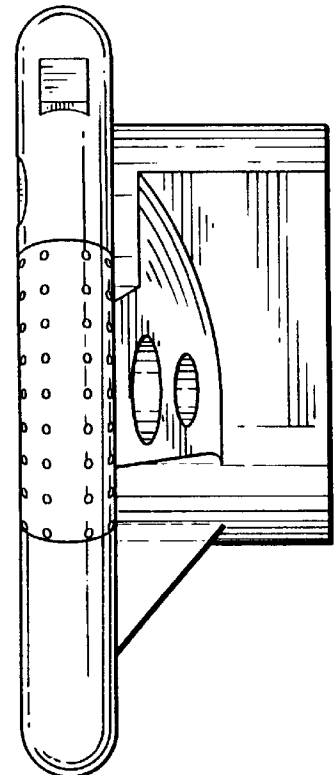
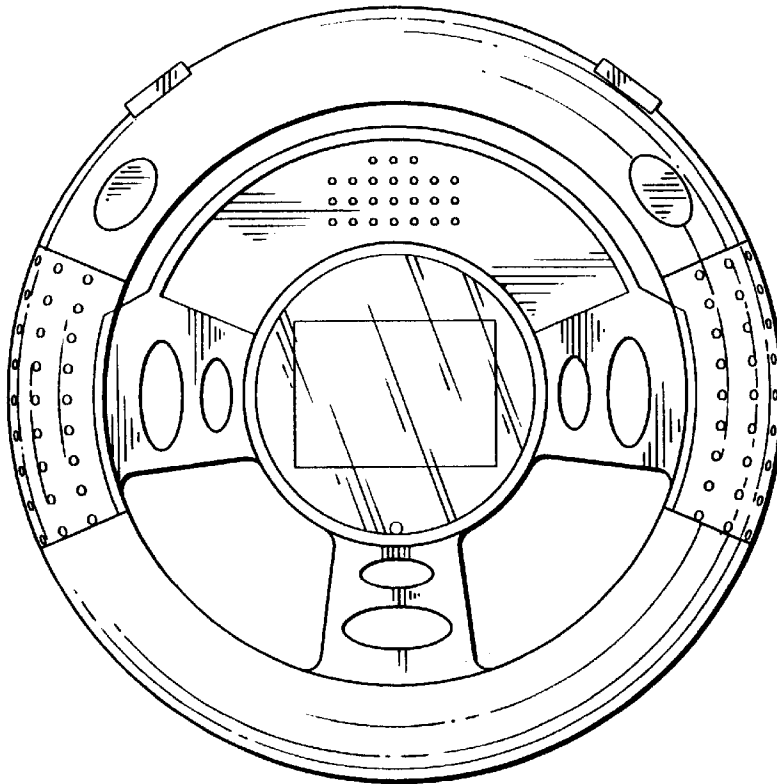
[57] **CLAIM**

The ornamental design for a car racing simulator electronic game, as shown and described.

DESCRIPTION

FIG. 1 is a top plan view of the car racing simulator electronic game;
 FIG. 2 is a bottom view of the design;
 FIG. 3 is a right side elevational view with the left side elevational view being the mirror image thereof;
 FIG. 4 is a front elevational view thereof; and,
 FIG. 5 is a rear elevational view thereof.

1 Claim, 2 Drawing Sheets



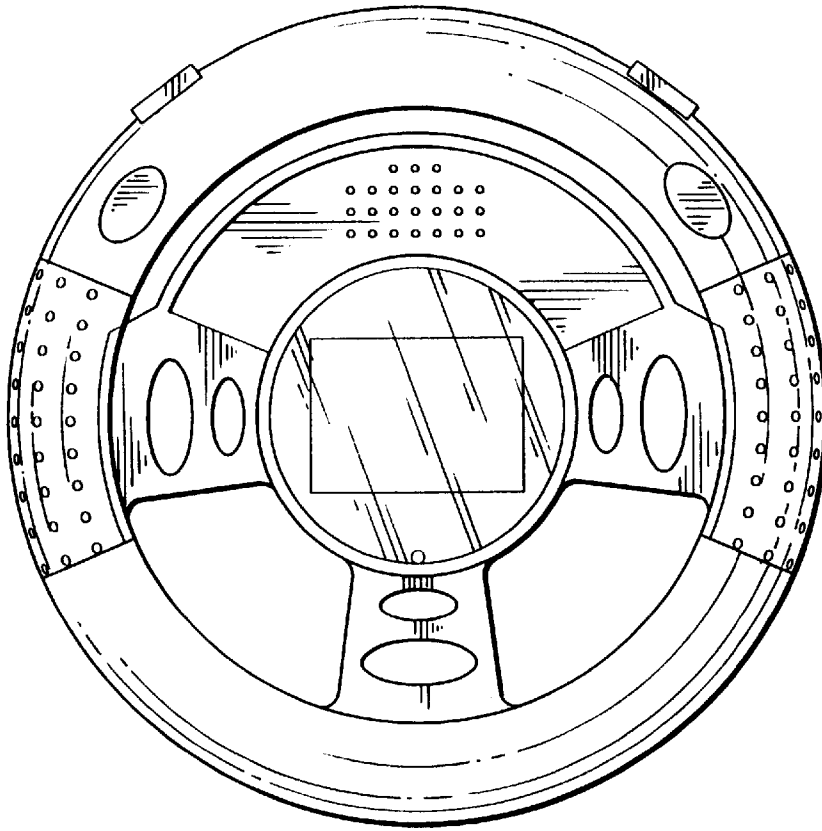
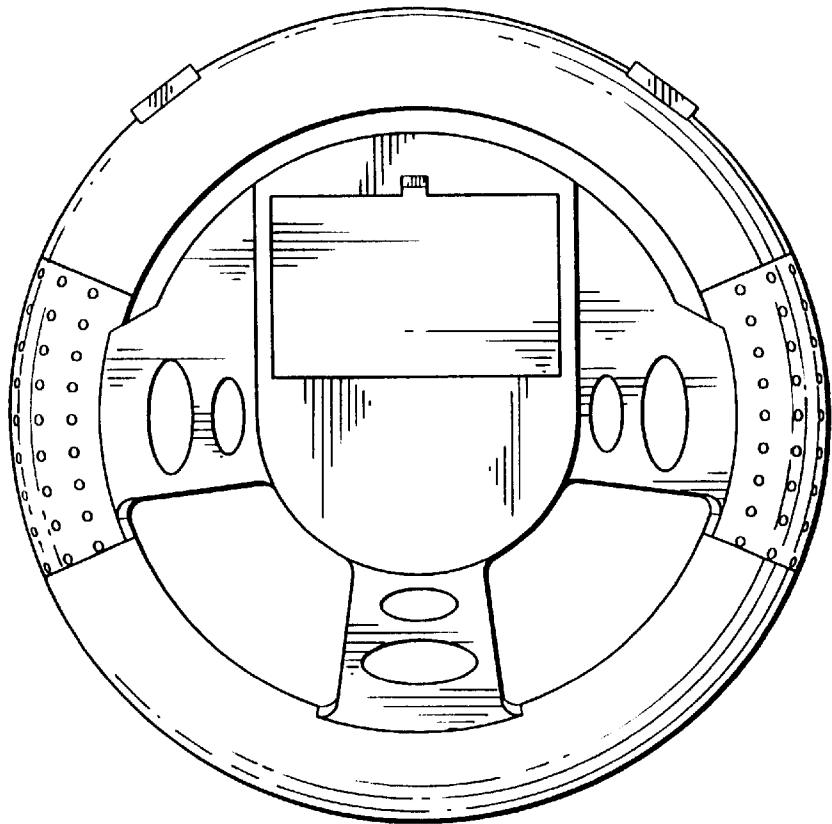


FIG. 1

FIG. 2



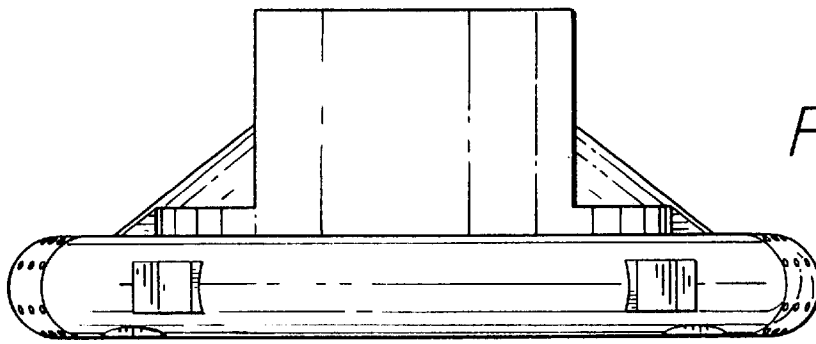


FIG. 5

FIG. 4

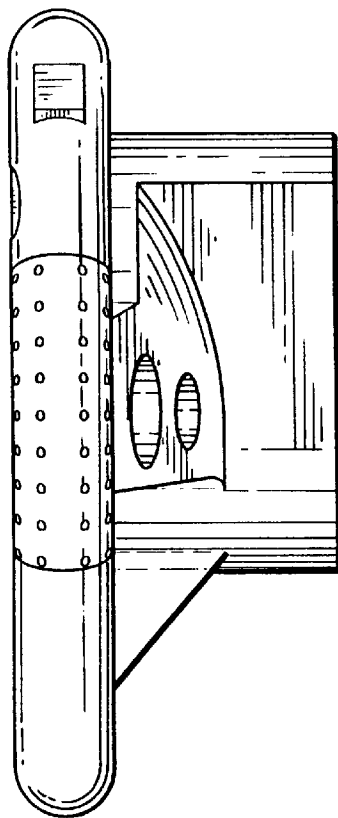
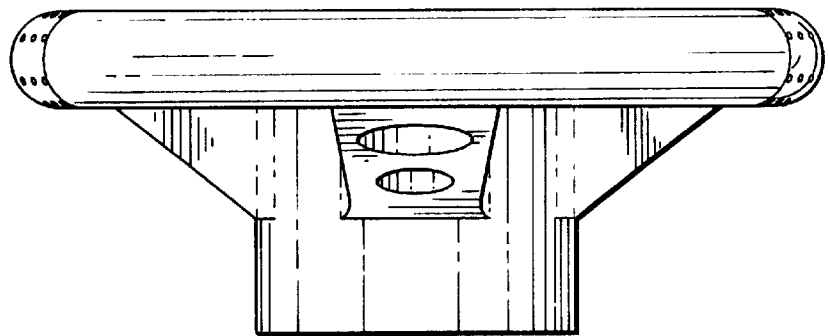


FIG. 3