



US00D891723S

(12) **United States Design Patent**
Nielsen

(10) **Patent No.:** **US D891,723 S**
(45) **Date of Patent:** **** Jul. 28, 2020**

(54) **LIFTING STRAP**

(71) Applicant: **Corey David Nielsen**, Boulder, CO
(US)

(72) Inventor: **Corey David Nielsen**, Boulder, CO
(US)

(**) Term: **15 Years**

(21) Appl. No.: **29/680,318**

(22) Filed: **Feb. 14, 2019**

(51) **LOC (12) Cl.** **12-05**

(52) **U.S. Cl.**
USPC **D34/28**

(58) **Field of Classification Search**
USPC D34/26, 27, 28, 29, 30, 31, 32, 33, 34,
D34/35, 36, 37, 38, 39; D8/44; D3/327;
D24/190

(Continued)

(56) **References Cited**

U.S. PATENT DOCUMENTS

2,431,780 A 12/1947 Theal
D367,142 S * 2/1996 Platt D29/124
(Continued)

FOREIGN PATENT DOCUMENTS

CA 2920128 A1 4/2016
JP H03205204 A 9/1991

OTHER PUBLICATIONS

Pale Trading Company, "Potlifter", accessed on Jun. 7, 2019 at:
<https://paletrading.com/potlifter/>, 3 pages.

Primary Examiner — George A Bugg
Assistant Examiner — Tamara L Hahn

(74) *Attorney, Agent, or Firm* — Neugeboren O'Dowd PC

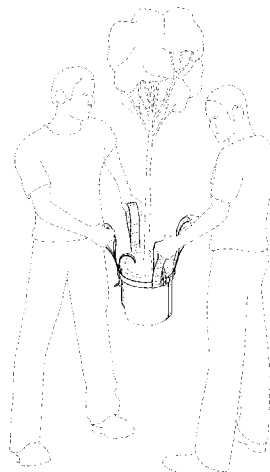
(57) **CLAIM**

The ornamental design for a lifting strap, as shown and described.

DESCRIPTION

FIG. 1 is a perspective view of an exemplary lifting strap according to the present disclosure;
FIG. 2 is another perspective view of the lifting strap of FIG. 1;
FIG. 3 is still another perspective view of the lifting strap of FIG. 1;
FIG. 4 is yet another perspective view of the lifting strap of FIG. 1;
FIG. 5 is a front perspective view of the lifting strap of FIG. 1;
FIG. 6 is a rear perspective view of the lifting strap of FIG. 1;
FIG. 7 is a front view of the lifting strap of FIG. 1;
FIG. 8 is a rear view of the lifting strap of FIG. 1;
FIG. 9 is a right side view of the lifting strap of FIG. 1;
FIG. 10 is a left side view of the lifting strap of FIG. 1;
FIG. 11 is a top view of the lifting strap of FIG. 1;
FIG. 12 is a bottom view of the lifting strap of FIG. 1;
FIG. 13 is a perspective view of another lifting strap according to the present disclosure;
FIG. 14 is another perspective view of the lifting strap of FIG. 13;
FIG. 15 is still another perspective view of the lifting strap of FIG. 13;
FIG. 16 is yet another perspective view of the lifting strap of FIG. 13;
FIG. 17 is a front perspective view of the lifting strap of FIG. 13;
FIG. 18 is a rear perspective view of the lifting strap of FIG. 13;
FIG. 19 is a front view of the lifting strap of FIG. 13;
FIG. 20 is a rear view of the lifting strap of FIG. 13;
FIG. 21 is a right side view of the lifting strap of FIG. 13;
FIG. 22 is a left side view of the lifting strap of FIG. 13;
FIG. 23 is a top view of the lifting strap of FIG. 13; and
FIG. 24 is a bottom view of the lifting strap of FIG. 13.
The belt and harness straps are shown with a symbolic break in their lengths. The appearance of any portion of the article between the break lines forms no part of the claimed design.

(Continued)



US D891,723 S

Page 2

The broken lines represent portions of the structure that form no part of the claim.

1 Claim, 24 Drawing Sheets

(58) Field of Classification Search

CPC B66C 1/12; B65G 7/00; B65G 7/12; B65G 9/00

See application file for complete search history.

(56) References Cited

U.S. PATENT DOCUMENTS

5,503,448 A 4/1996 Dewey
D377,467 S * 1/1997 Weimer D24/190
5,607,237 A * 3/1997 LaFleur B65D 88/1681
383/117
5,833,292 A 11/1998 Lyons, Jr.
D410,335 S * 6/1999 Raich D3/315
5,993,062 A * 11/1999 Shackleton B65D 88/1681
383/17
6,039,376 A 3/2000 Lopreiato

6,161,885 A * 12/2000 Walker B65D 25/285
294/150
D437,623 S * 2/2001 Ormsby D21/662
D464,686 S * 10/2002 Silveira D21/662
6,729,511 B2 5/2004 Dent, III
D492,835 S * 7/2004 Michaels D34/38
7,331,493 B2 2/2008 Dent, III
D704,937 S * 5/2014 Cutler D3/327
8,807,403 B2 8/2014 Nielsen
9,101,202 B2 8/2015 Nielsen
D741,067 S * 10/2015 Votel D3/327
9,174,810 B1 * 11/2015 DiSpazio B65G 65/23
9,596,922 B2 3/2017 Neilsen
D787,829 S 5/2017 Kohn
9,930,955 B2 4/2018 Nielsen
2003/0136807 A1 7/2003 Falzone et al.
2005/0103813 A1 5/2005 Edwards
2007/0084893 A1 * 4/2007 Godshaw A45F 3/14
224/257
2009/0200106 A1 * 8/2009 McKay A62B 35/0006
182/3
2010/0025445 A1 2/2010 Brunson et al.
2016/0183665 A1 * 6/2016 Nielsen A45F 3/14
224/157
2020/0115162 A1 * 4/2020 Kreitzer B65G 7/12

* cited by examiner

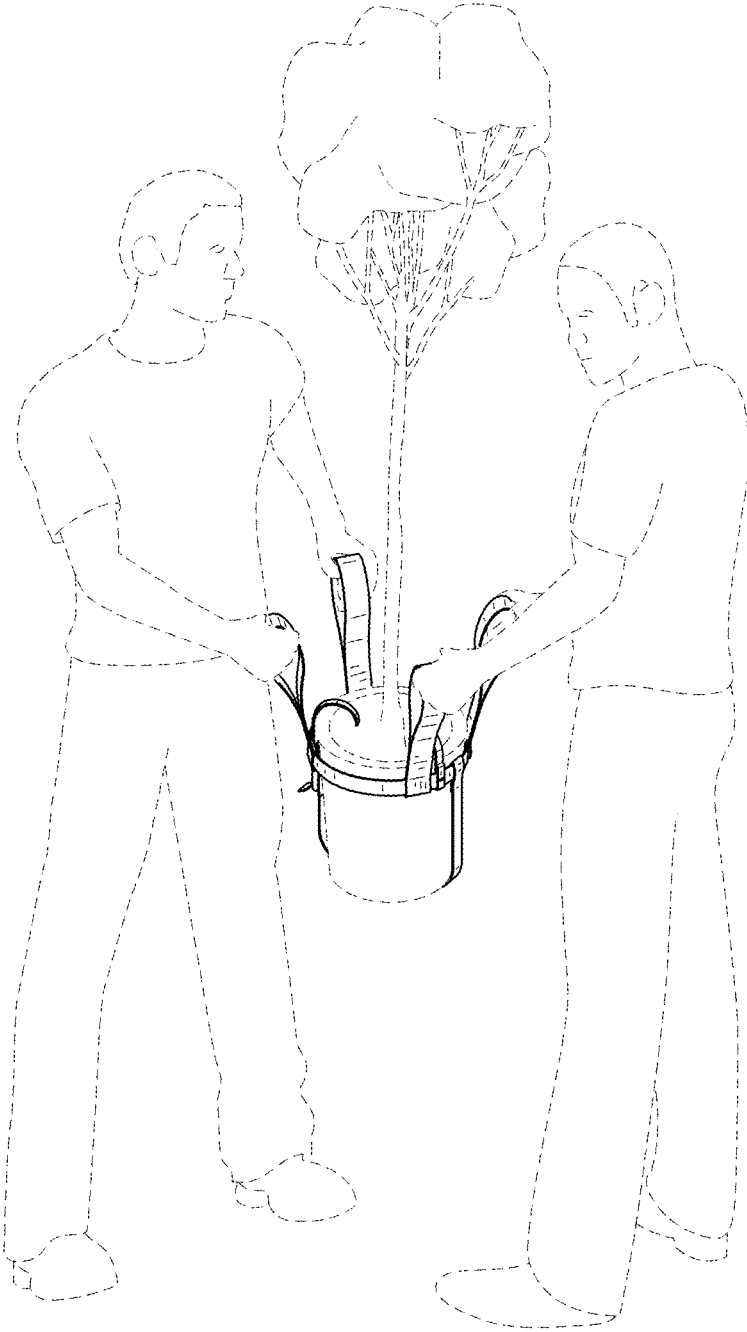


FIG.1

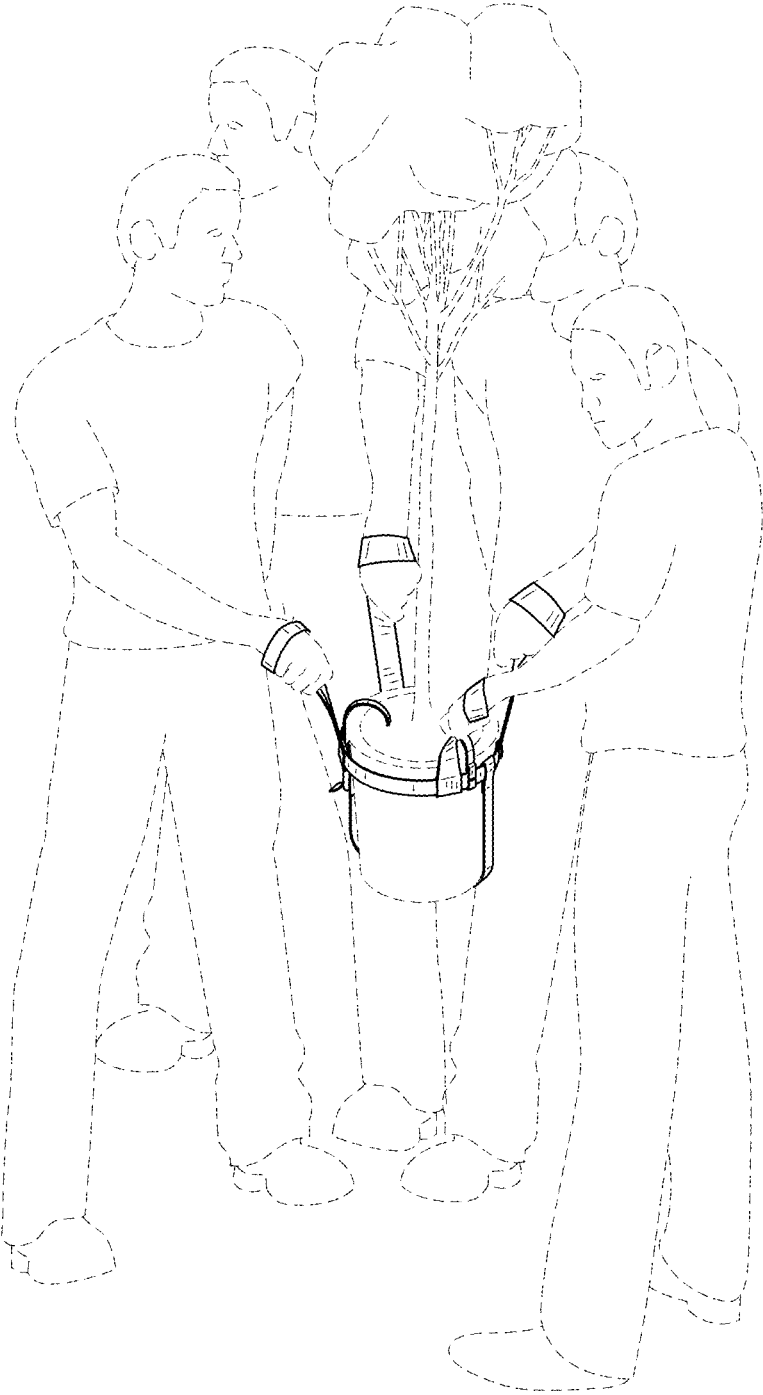


FIG.2

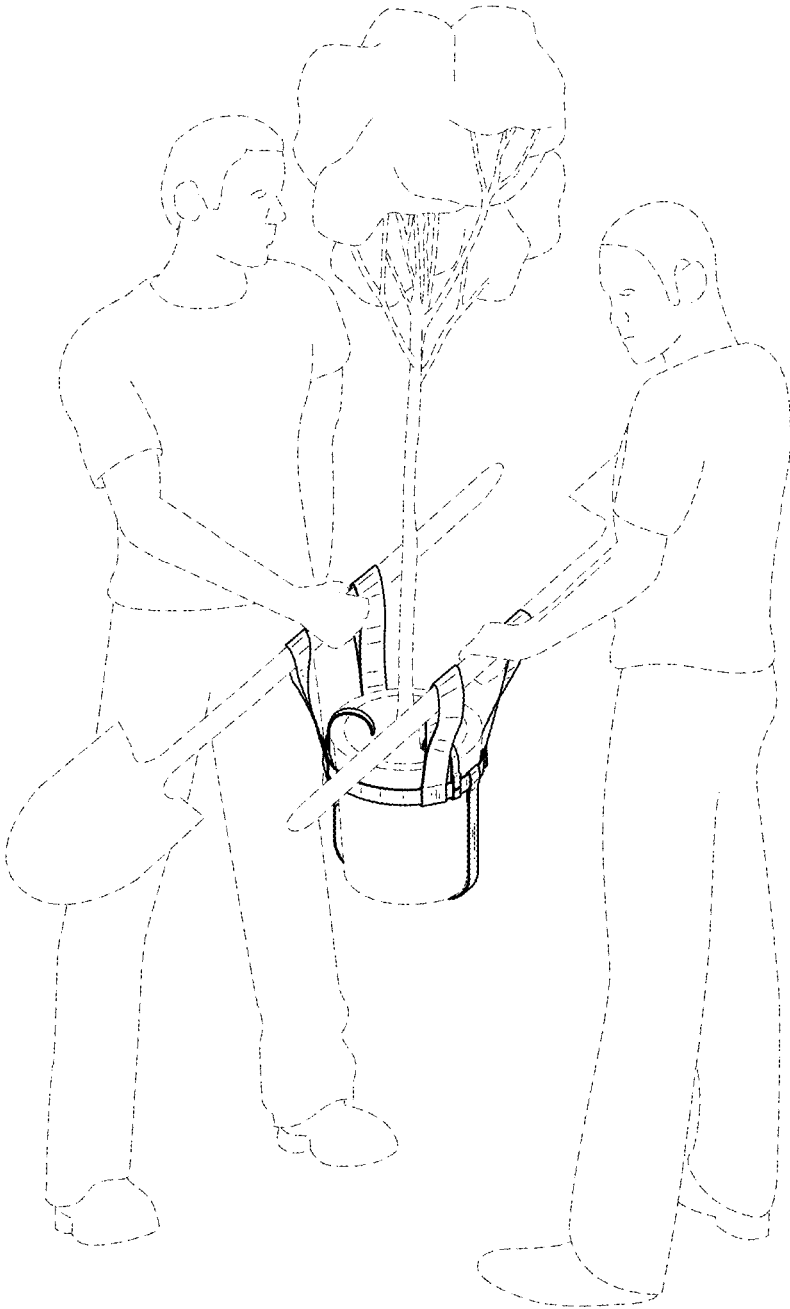


FIG.3

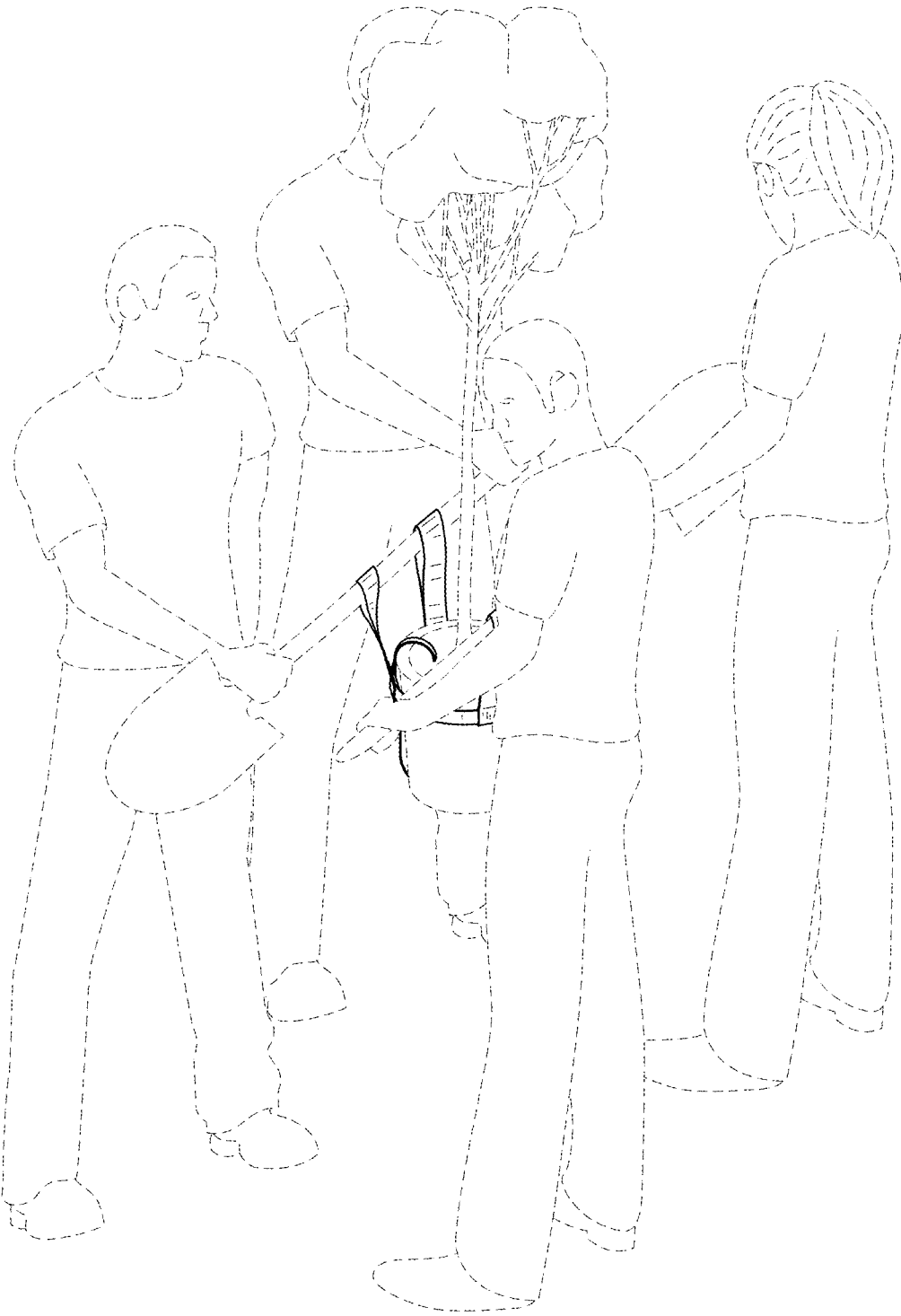


FIG.4

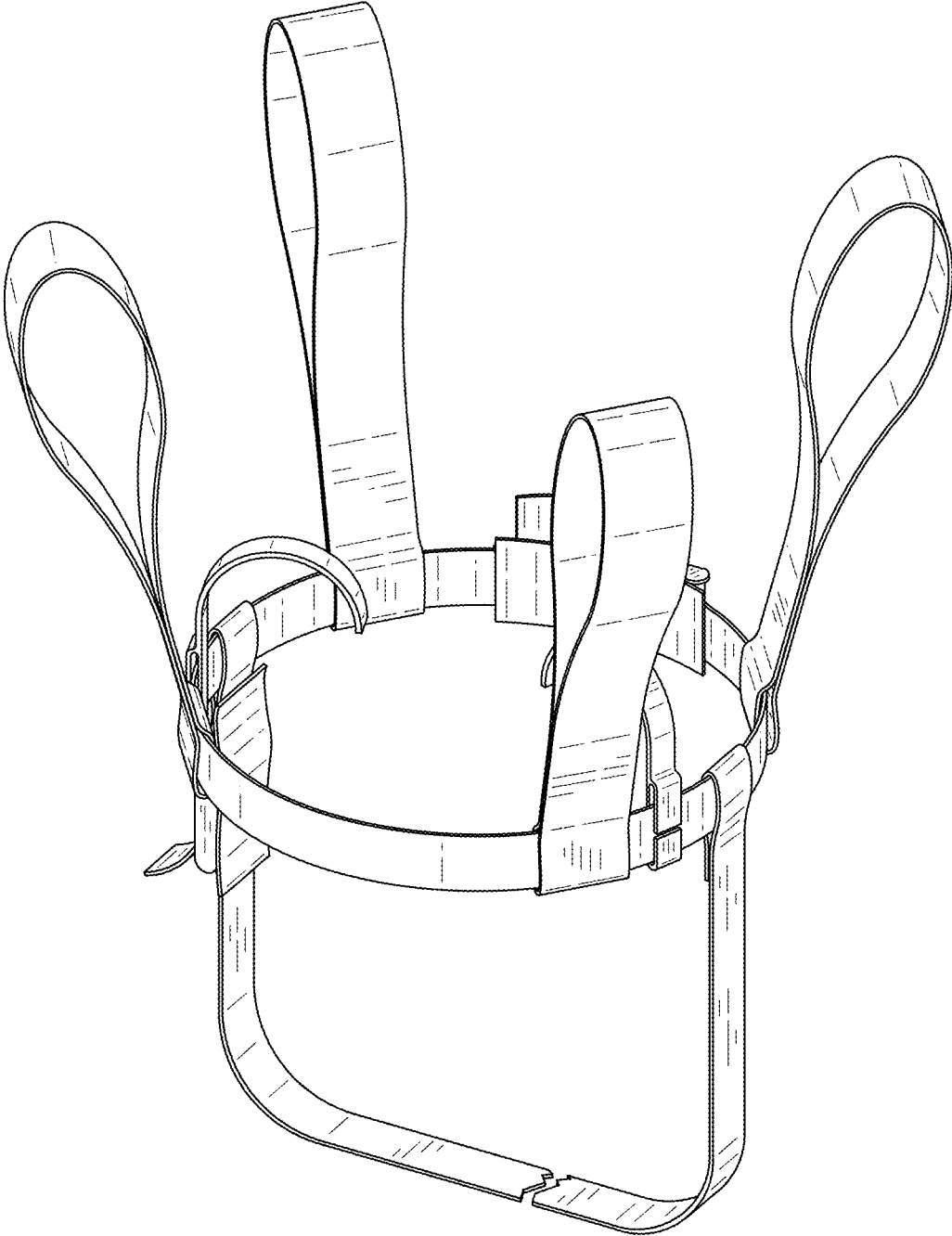


FIG.5

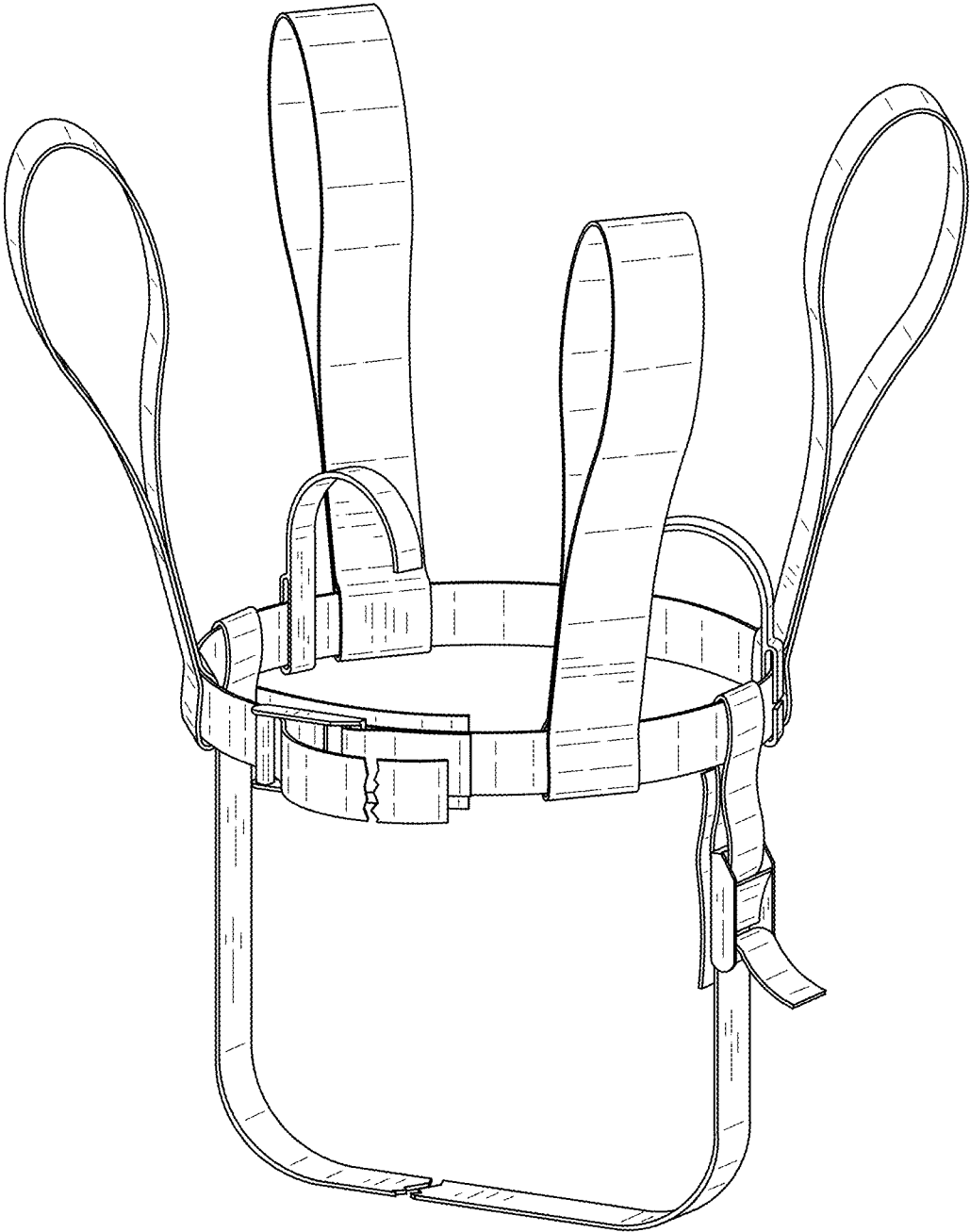


FIG.6

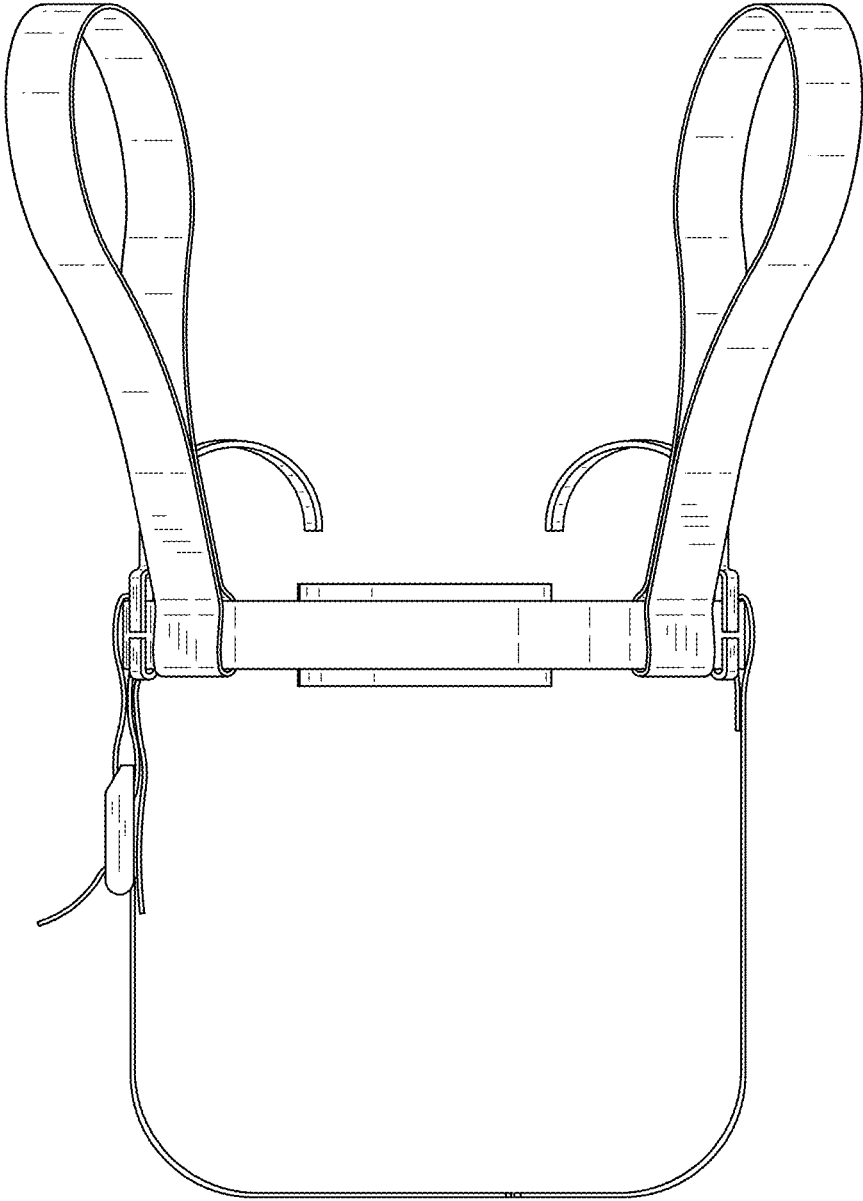


FIG. 7

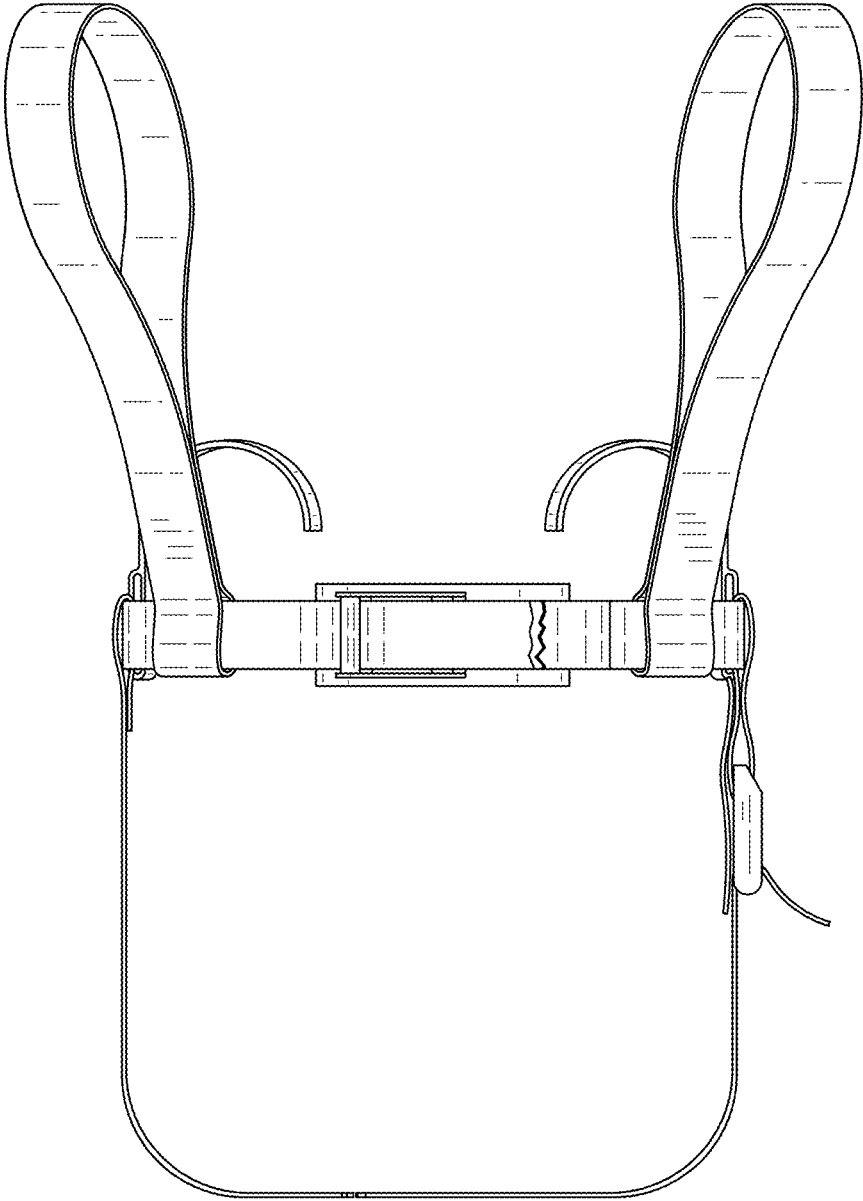


FIG.8

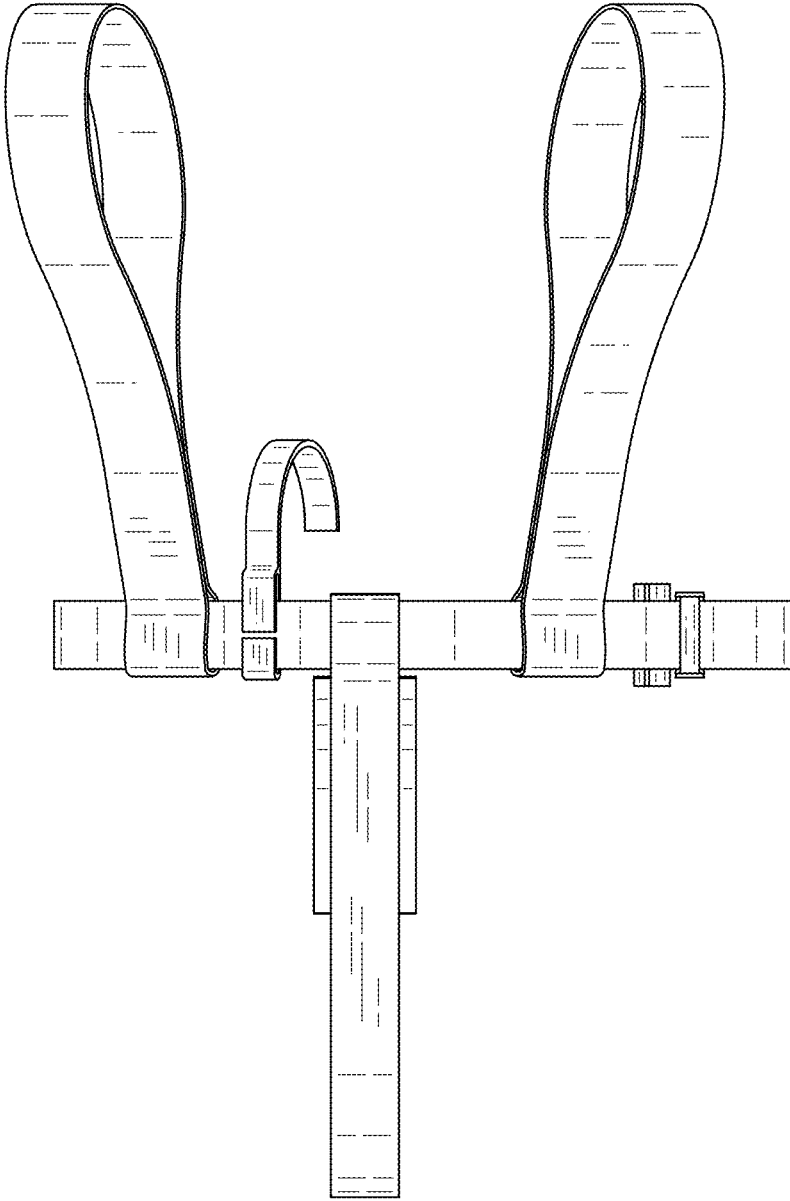


FIG.9

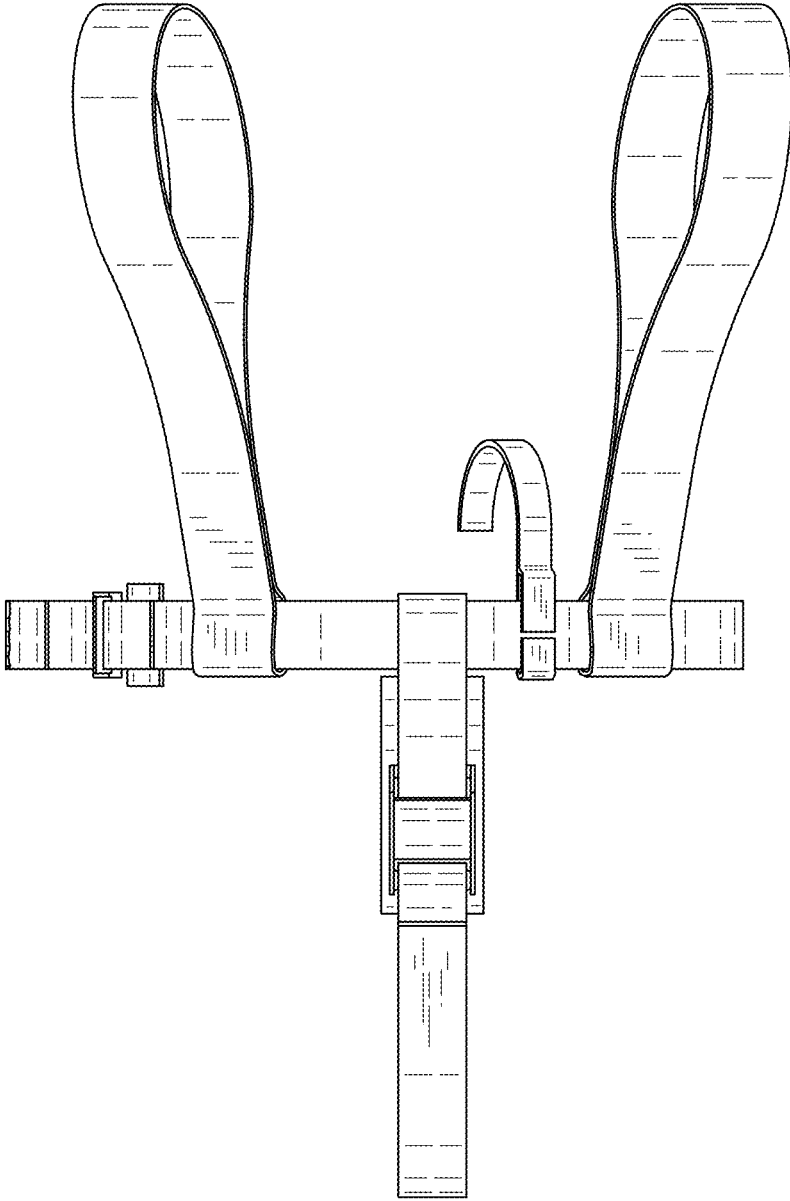


FIG.10

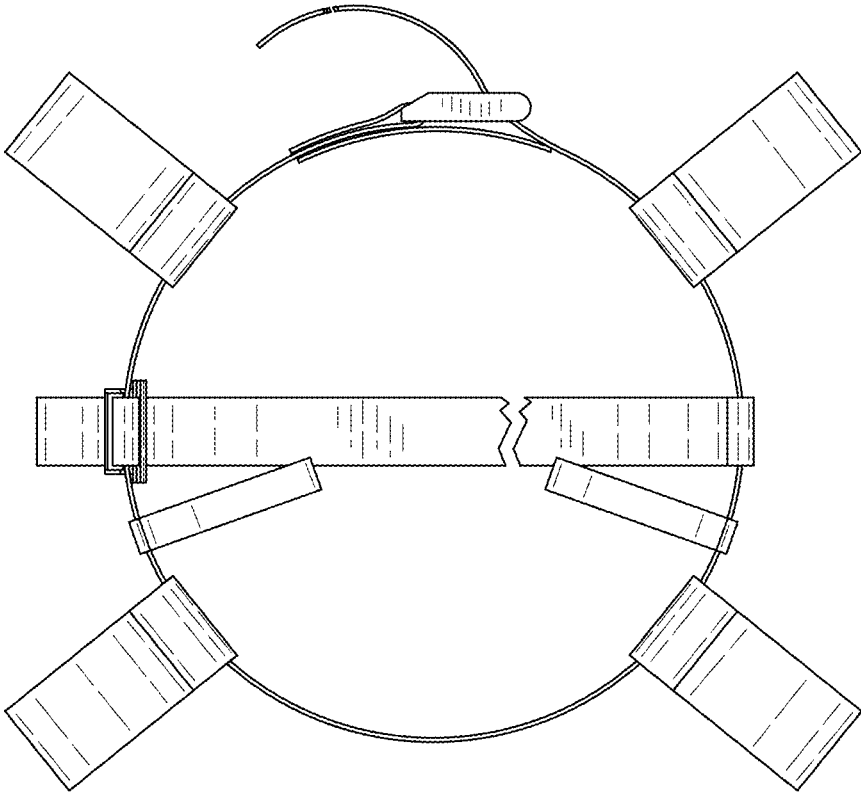


FIG.11

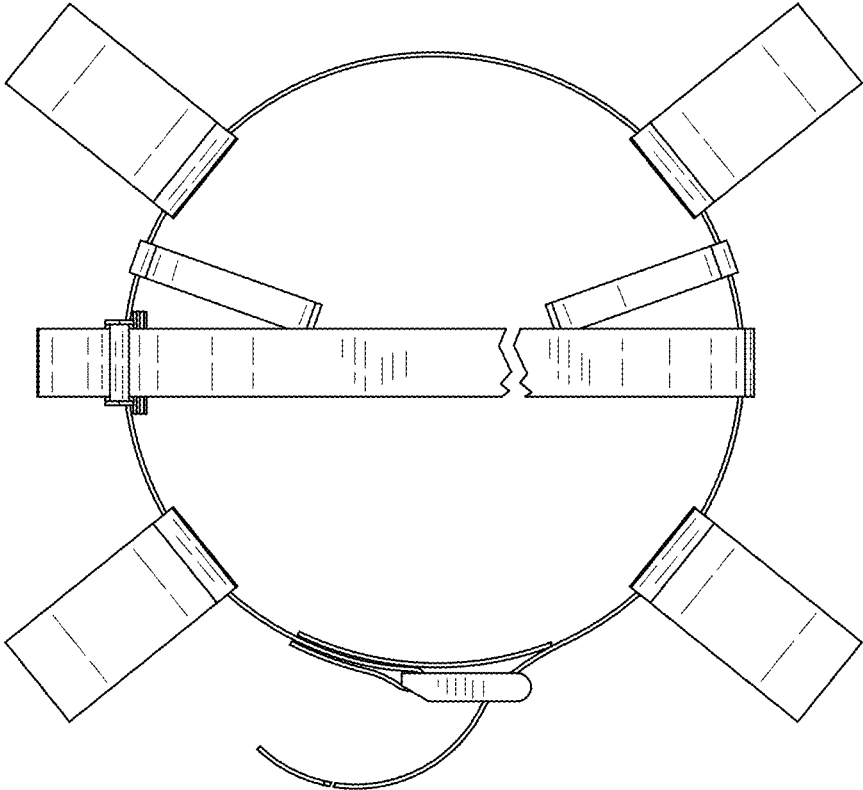


FIG.12

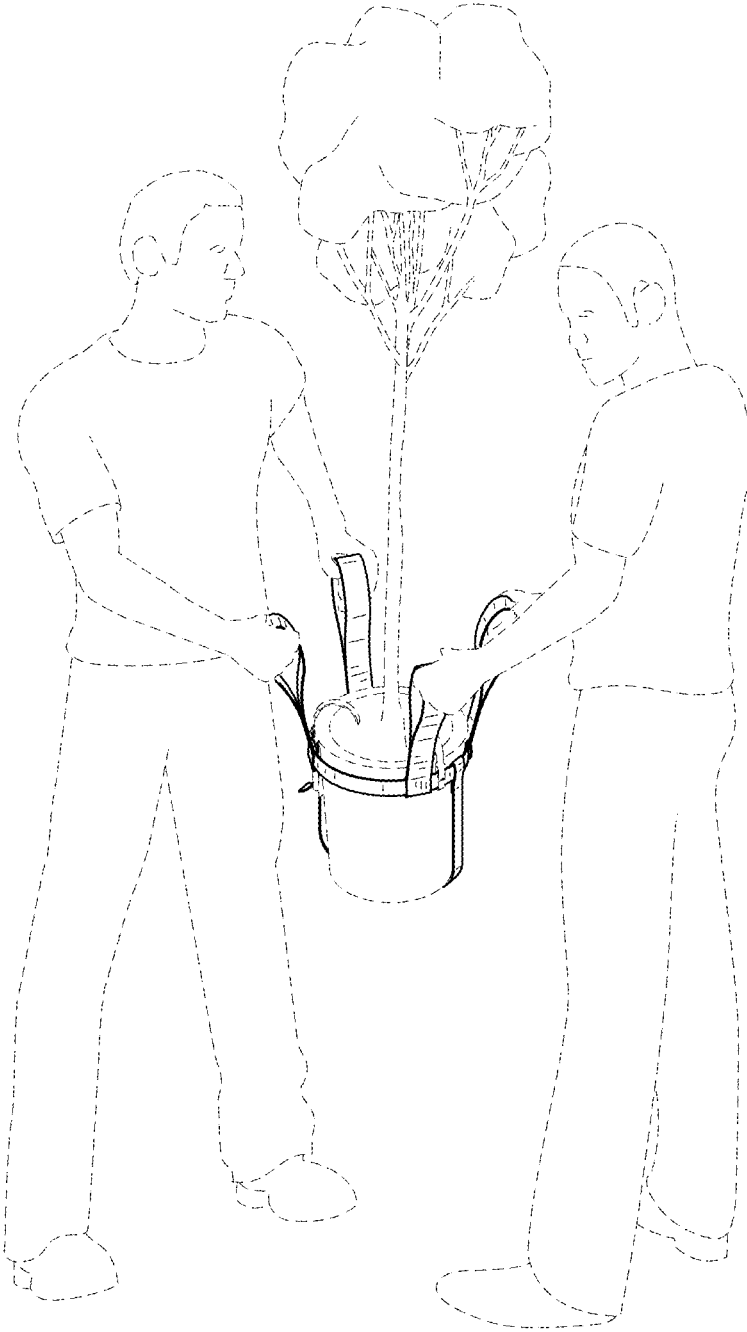


FIG.13

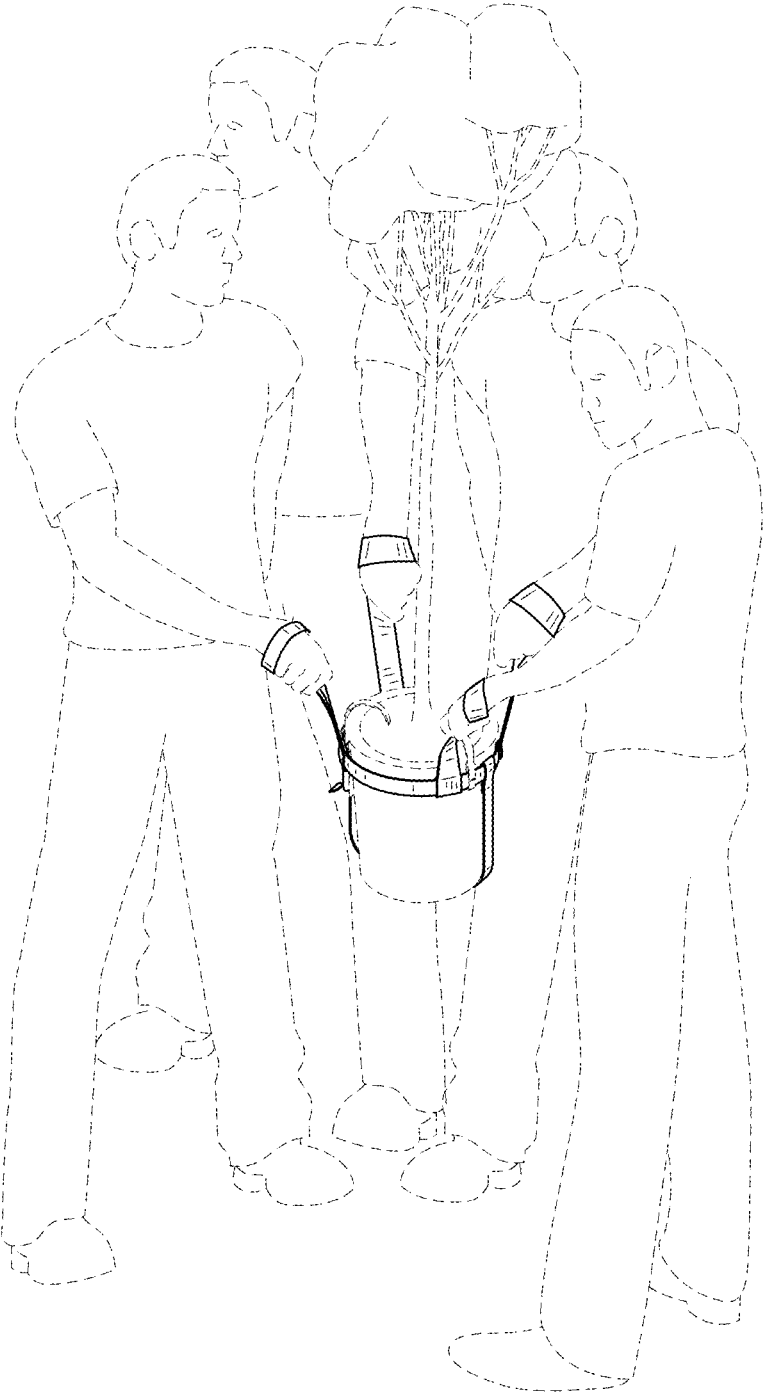


FIG.14

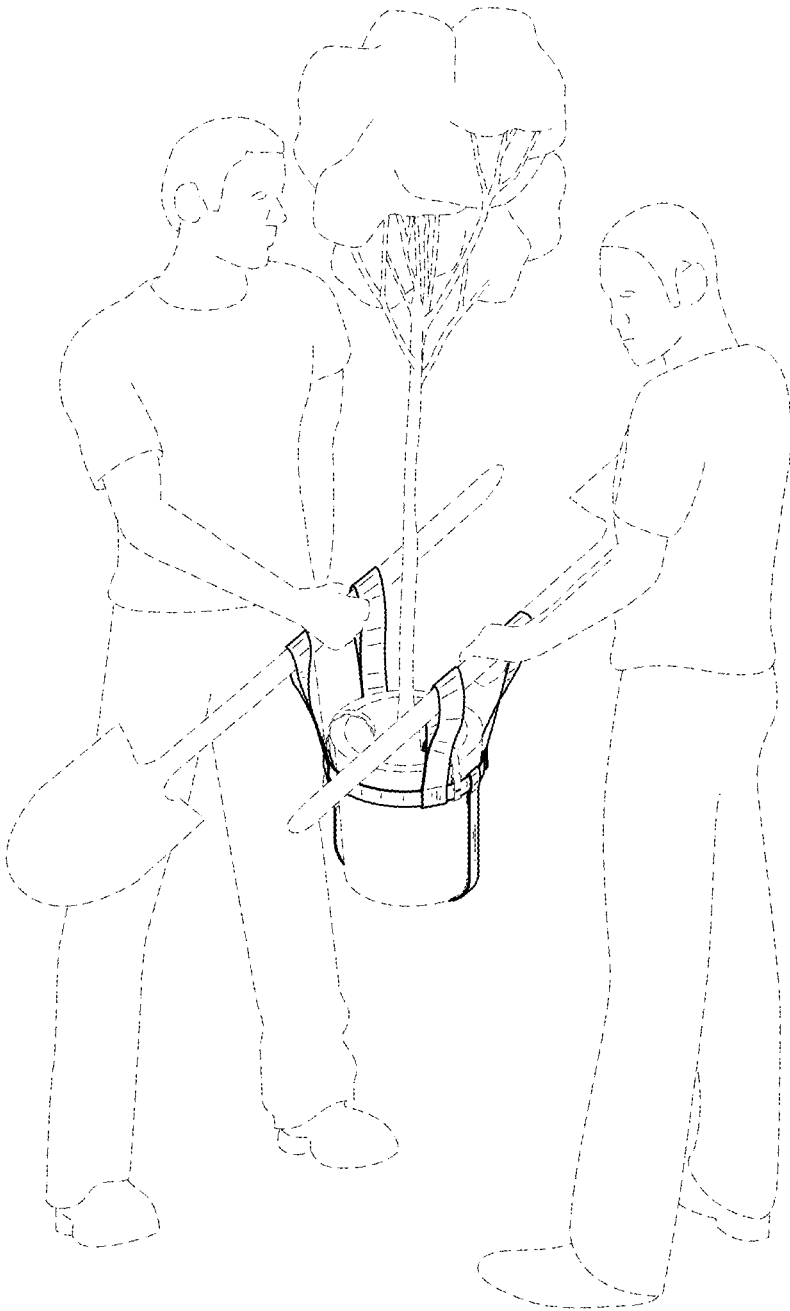


FIG.15

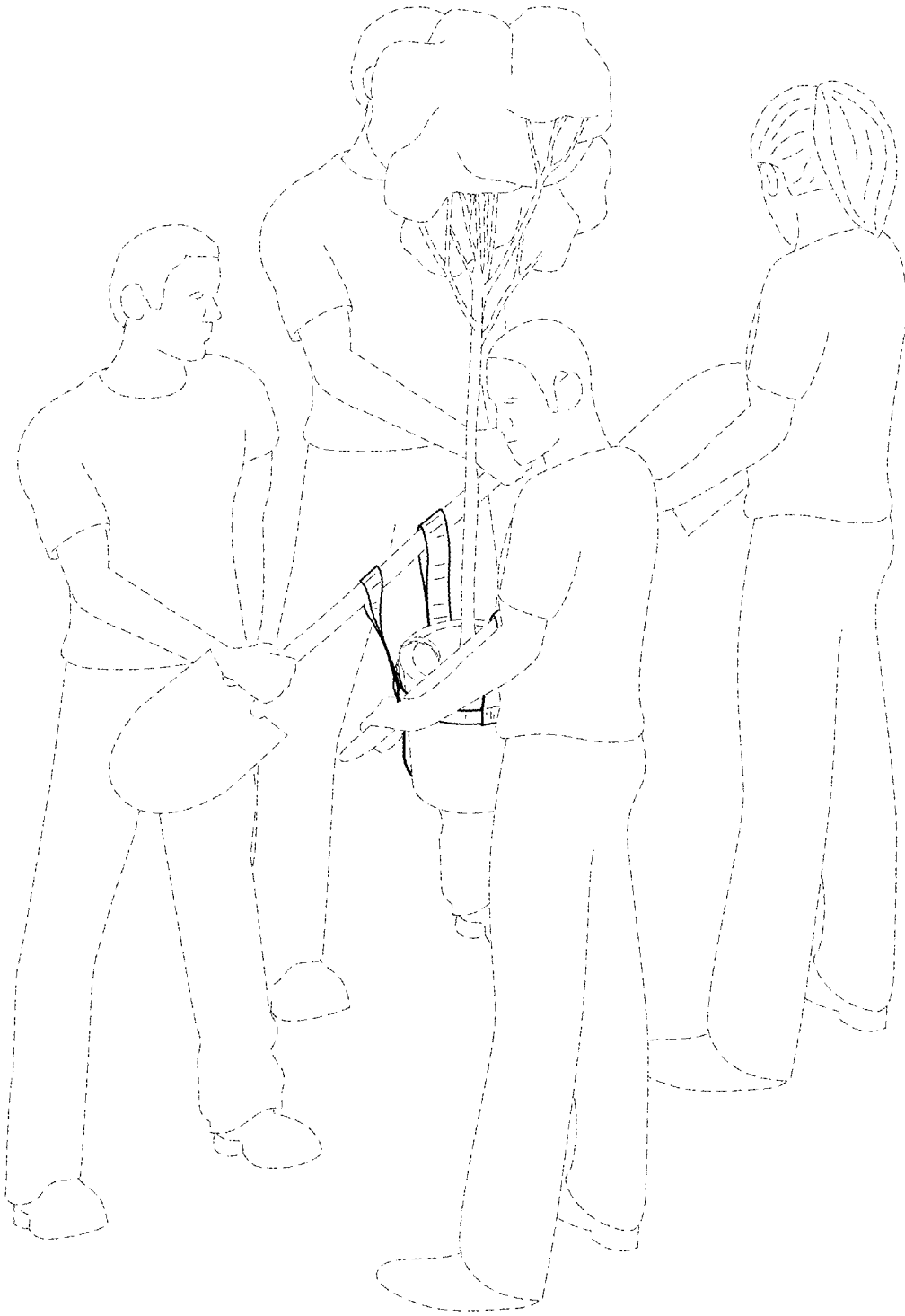


FIG.16

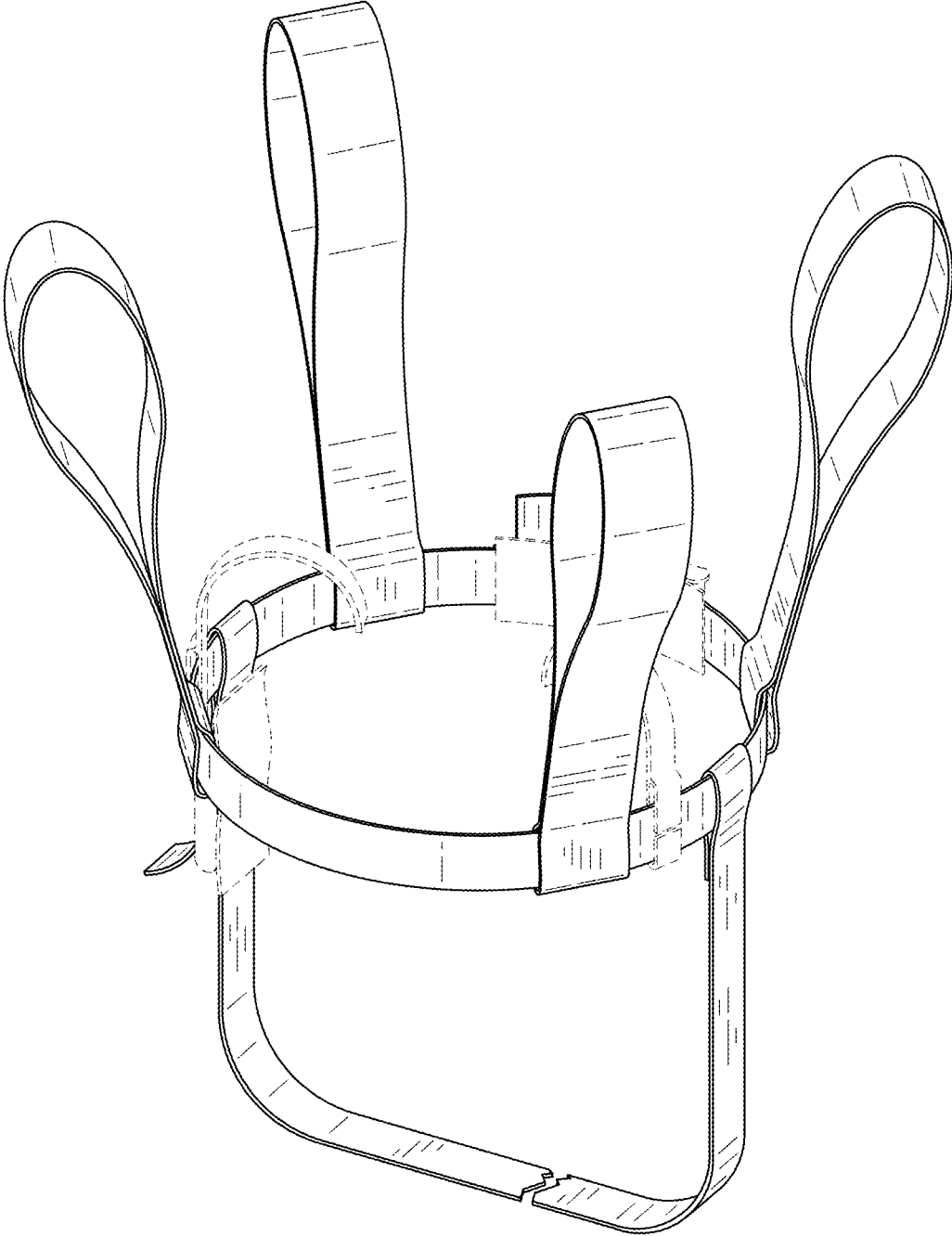


FIG.17

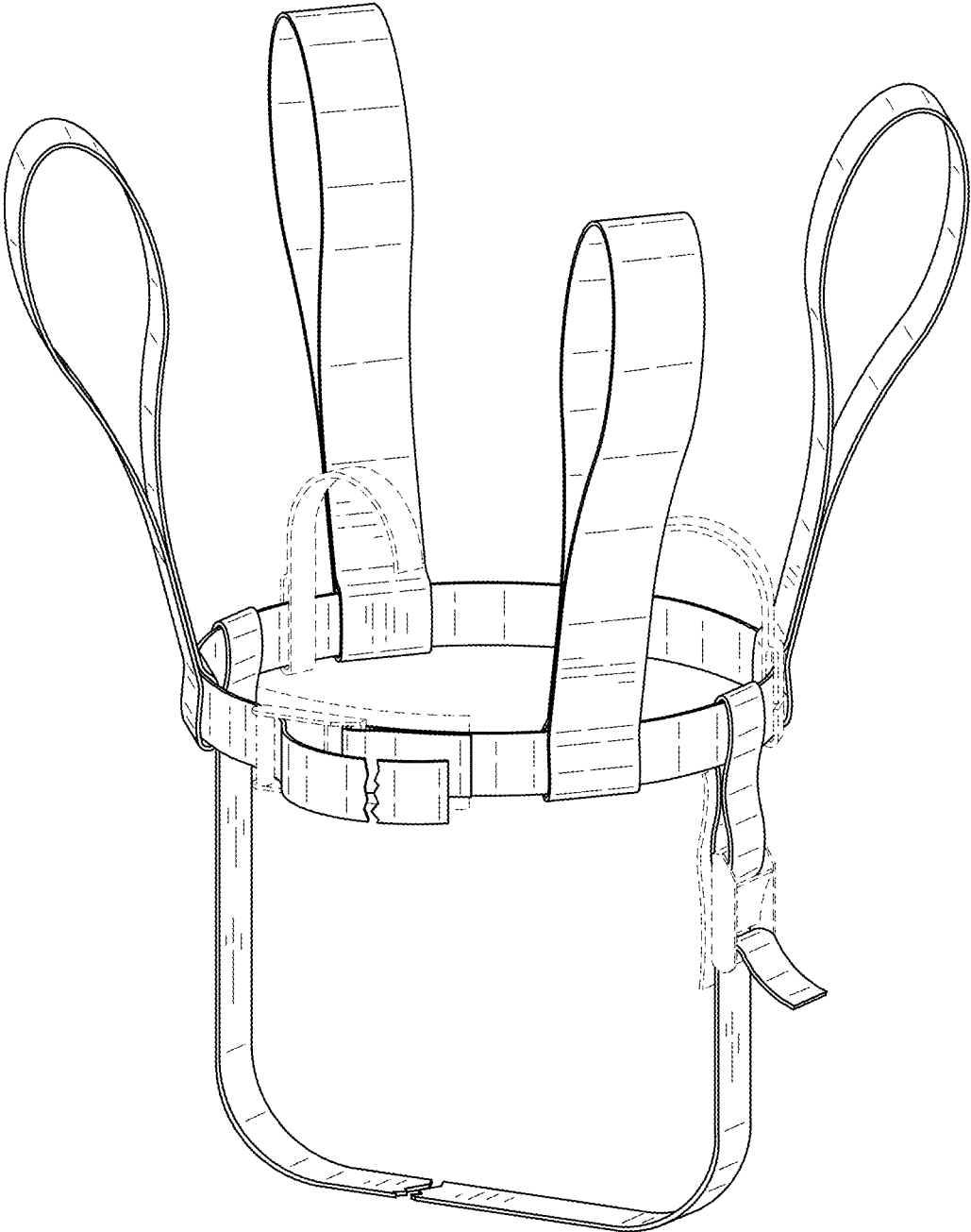


FIG.18

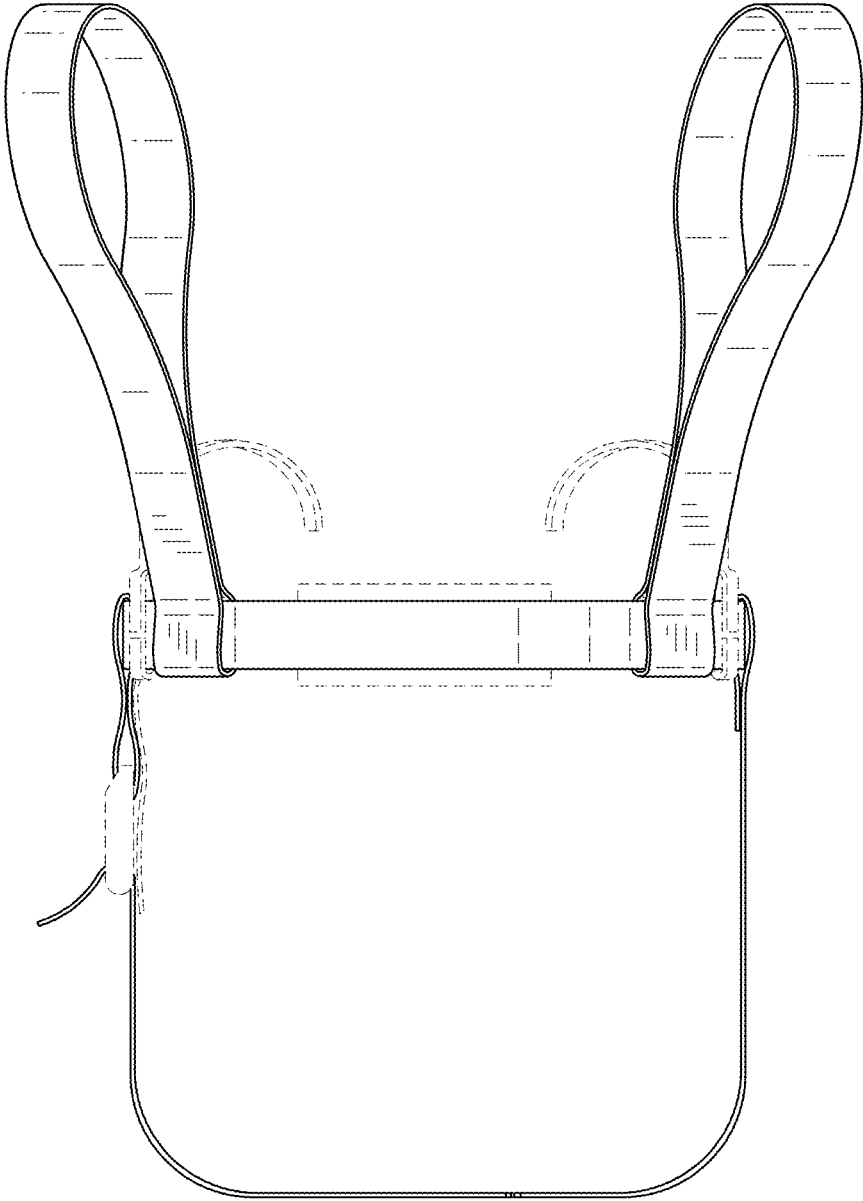


FIG.19

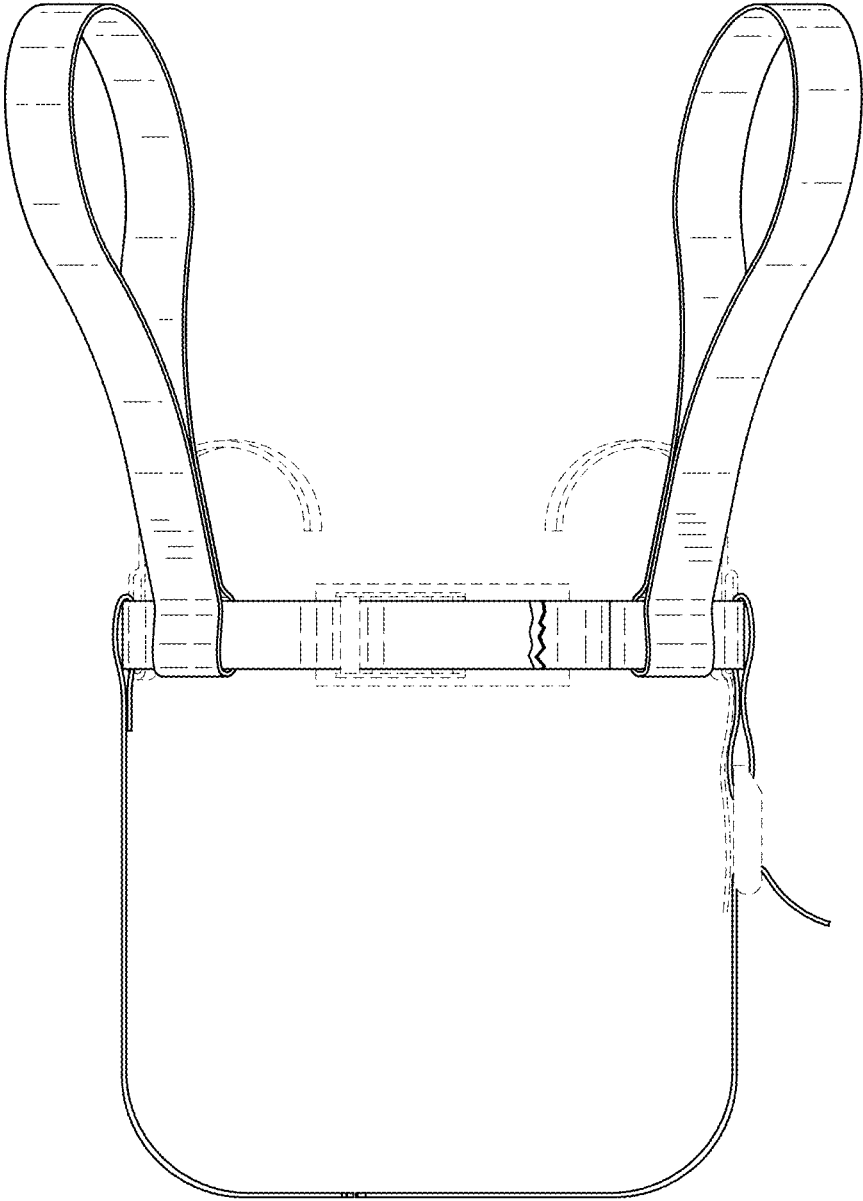


FIG.20

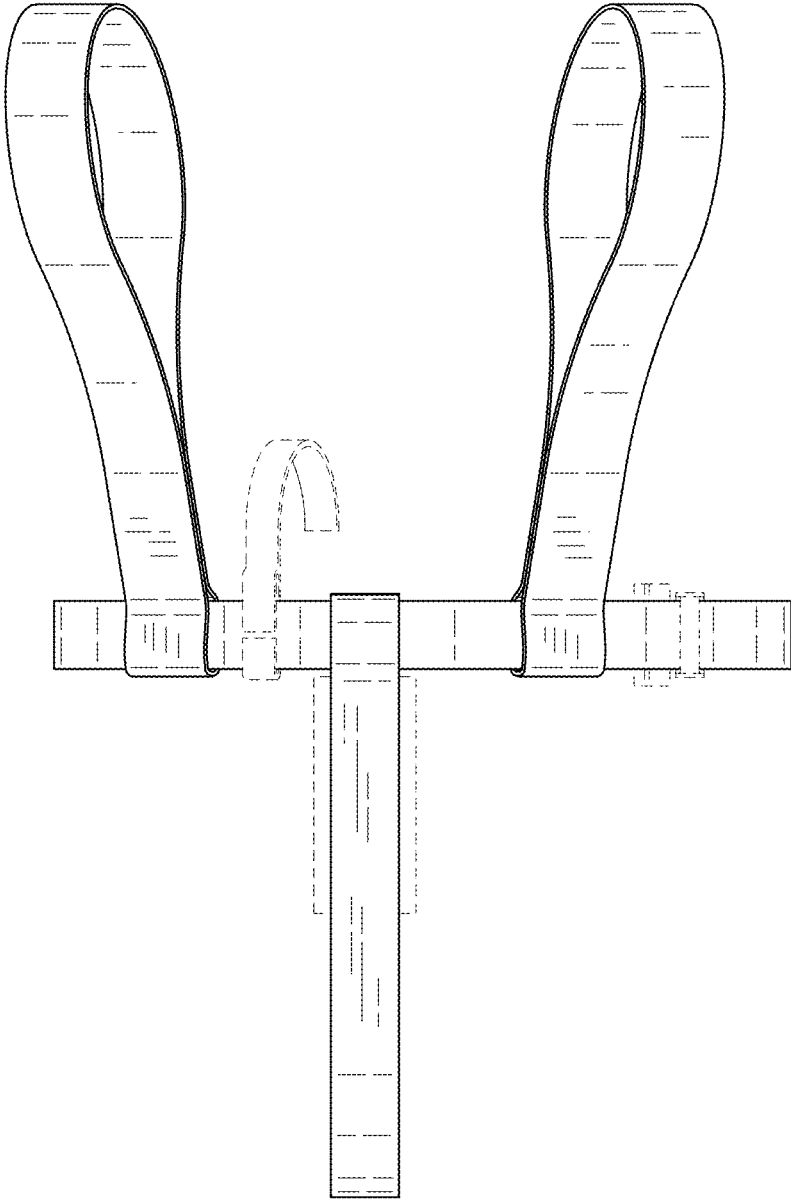


FIG.21

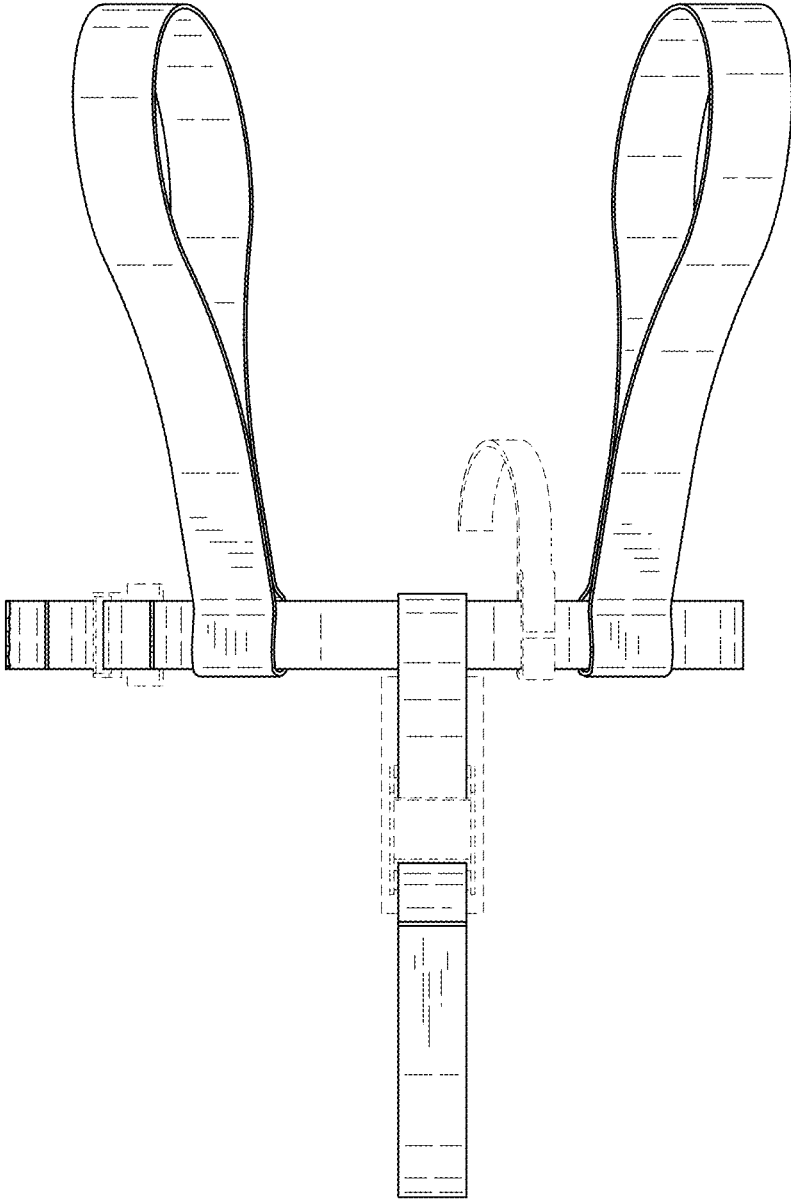


FIG.22

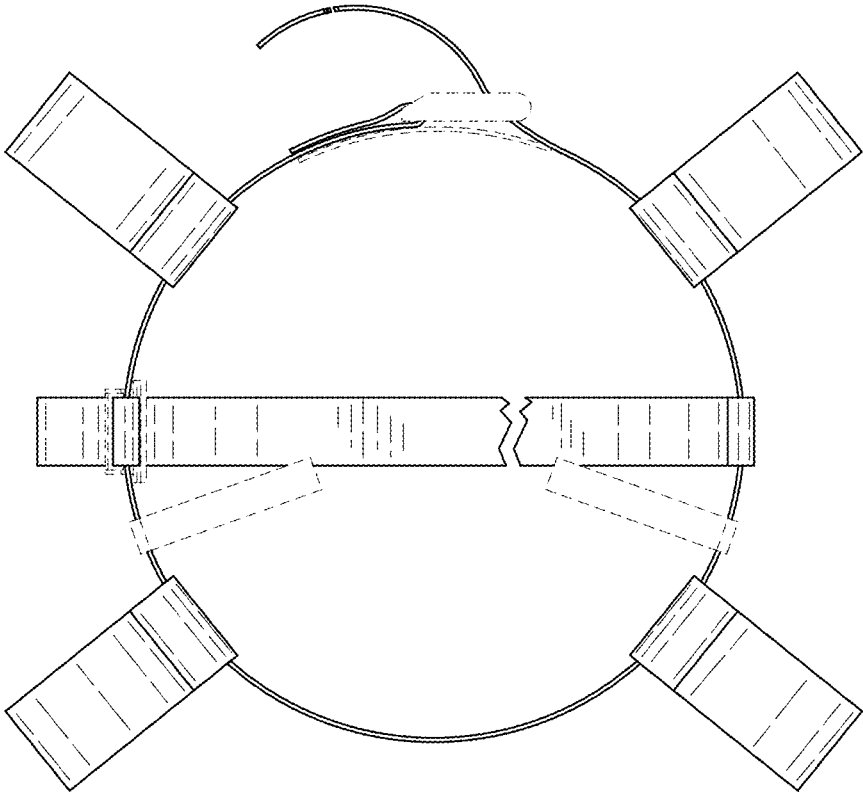


FIG.23

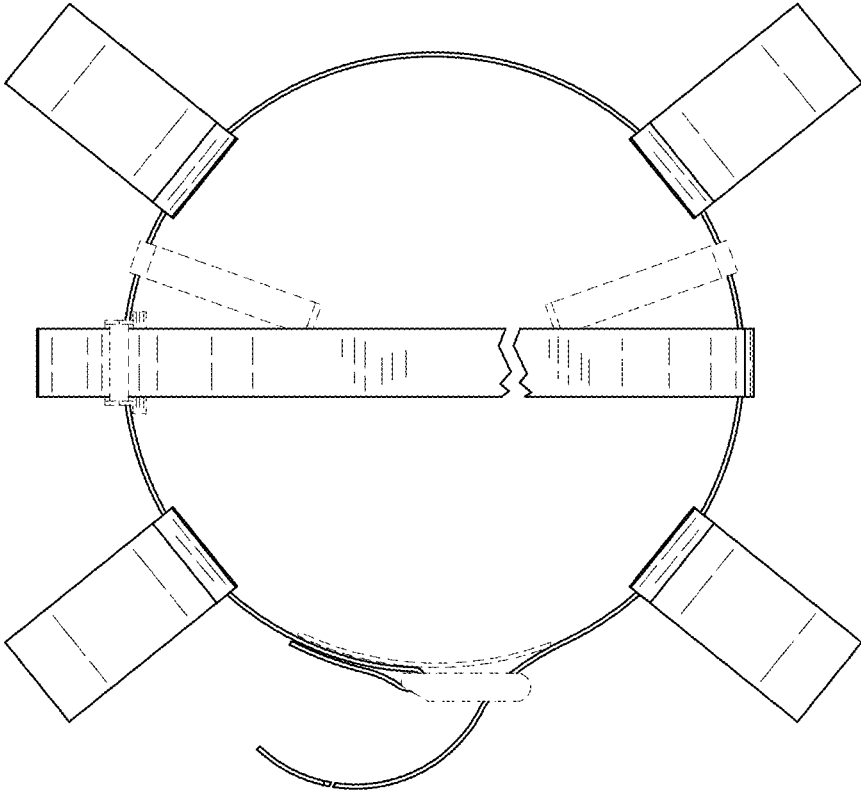


FIG.24