



US0D1047422S

(12) **United States Design Patent**  
**Liu**

(10) **Patent No.:** **US D1,047,422 S**

(45) **Date of Patent:** **\*\* Oct. 22, 2024**

(54) **BACKPACK**

(71) Applicant: **Yanfeng Liu**, Guangzhou (CN)

(72) Inventor: **Yanfeng Liu**, Guangzhou (CN)

(73) Assignee: **Yanfeng Liu**, Guangzhou (CN)

(\*\*) Term: **15 Years**

(21) Appl. No.: **29/948,643**

(22) Filed: **Jun. 21, 2024**

(51) **LOC (14) Cl.** ..... **03-01**

(52) **U.S. Cl.**

USPC ..... **D3/217**

(58) **Field of Classification Search**

USPC ..... D3/216–217, 225, 226, 230–232,  
D3/252–254, 262, 285–289, 303,  
D3/321–328; D9/703–707, 710

CPC ..... A45F 3/02; A45F 3/04; A45F 3/08; A45F  
3/10; A45F 3/14; A45F 3/042; A45F  
3/047; A45F 2200/00; A45F 4/02

See application file for complete search history.

(56) **References Cited**

**U.S. PATENT DOCUMENTS**

D511,620	S	*	11/2005	Van Himbeek	.....	D3/217
D922,062	S	*	6/2021	Shi	.....	D3/217
D936,355	S	*	11/2021	Webb	.....	D3/217
D939,206	S	*	12/2021	Baires	.....	D3/217
D958,521	S	*	7/2022	Birdwell	.....	D3/217
D985,260	S	*	5/2023	Xie	.....	D3/217
D990,872	S	*	7/2023	Chen	.....	D3/217
D998,958	S		9/2023	Deler et al.		
D1,006,437	S	*	12/2023	Chen	.....	D3/217
D1,011,020	S	*	1/2024	Wang	.....	D3/217
D1,017,228	S	*	3/2024	Chen	.....	D3/216

(Continued)

**FOREIGN PATENT DOCUMENTS**

CN	308589769	*	4/2024
CN	308641921	*	5/2024

**OTHER PUBLICATIONS**

Beraliy waterproof weekender, posted at amazon.com, first available Jan. 23, 2023, retrieved on Aug. 28, 2024, online, <https://www.amazon.com/Beraliy-Waterproof-Overnight-Weekender-Olive-green/dp/B0C8DB1X2S> (Year: 2023).\*

(Continued)

*Primary Examiner* — John R Yeh

*Assistant Examiner* — Dustin Andrew Griffith

(74) *Attorney, Agent, or Firm* — Nitin Kaushik

(57) **CLAIM**

The ornamental design for a backpack, as shown and described.

**DESCRIPTION**

FIG. 1 is a front perspective view of a backpack, showing my new design;

FIG. 2 is a rear perspective view thereof;

FIG. 3 is a front view thereof;

FIG. 4 is a rear view thereof;

FIG. 5 is a left side view thereof;

FIG. 6 is a right side view thereof;

FIG. 7 is a top view thereof;

FIG. 8 is a bottom view thereof;

FIG. 9 is an enlarged detail view of area 9 in FIG. 1 thereof;

FIG. 10 is an enlarged detail view of area 10 in FIG. 1 thereof;

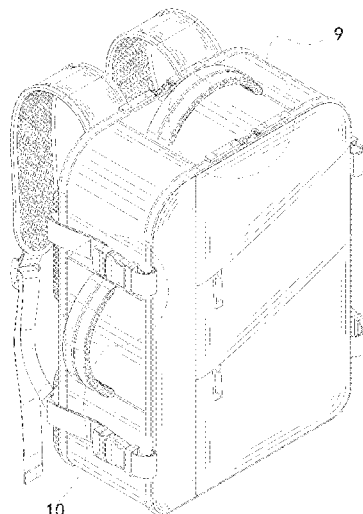
FIG. 11 is an enlarged detail view of area 11 in FIG. 2 thereof; and,

FIG. 12 is an enlarged detail view of area 12 in FIG. 2.

The broken lines representing stitching are part of the claimed design.

The dash-dot-dash broken lines encircling the enlarged views are for annotative purposes only and form no part of the claim thereof.

**1 Claim, 12 Drawing Sheets**



(56)

**References Cited**

U.S. PATENT DOCUMENTS

D1,021,381 S *	4/2024	Baltazar .....	D3/216
D1,031,251 S *	6/2024	Zhang .....	D3/217
D1,035,266 S *	7/2024	Zheng .....	D3/217

OTHER PUBLICATIONS

Gettravel backpack, posted at amazon.com, first available Sep. 15, 2023, retrieved on Aug. 28, 2024, online, <https://www.amazon.com/Gettravel-Backpack-Approved-Waterproof-Weekender/dp/B0C1B353LV?th=1> (Year: 2023).\*

Homiee backpack, posted at amazon.com, first available Jul. 30, 2023, retrieved on Aug. 28, 2024, online, <https://www.amazon.com/HOMIEE-Backpack-Waterproof-Weekender-Overnight/dp/B0BPRVSBND?th=1> (Year: 2023).\*

Lovevook backpack, posted at amazon.com, first available Jun. 7, 2023, retrieved on Aug. 28, 2024, online, <https://www.amazon.com/LOVEVOOK-Backpack-Approved-Waterproof-Beige-Khaki/dp/B0CDFYQYMB> (Year: 2023).\*

Taygeer backpack, posted at amazon.com, first available Jan. 24, 2023, retrieved on Aug. 28, 2024, online, <https://www.amazon.com/Backpack-Women,Carry-Approved-15-6inch-Weekender/dp/B09MQWWP87?th=1> (Year: 2023).\*

\* cited by examiner

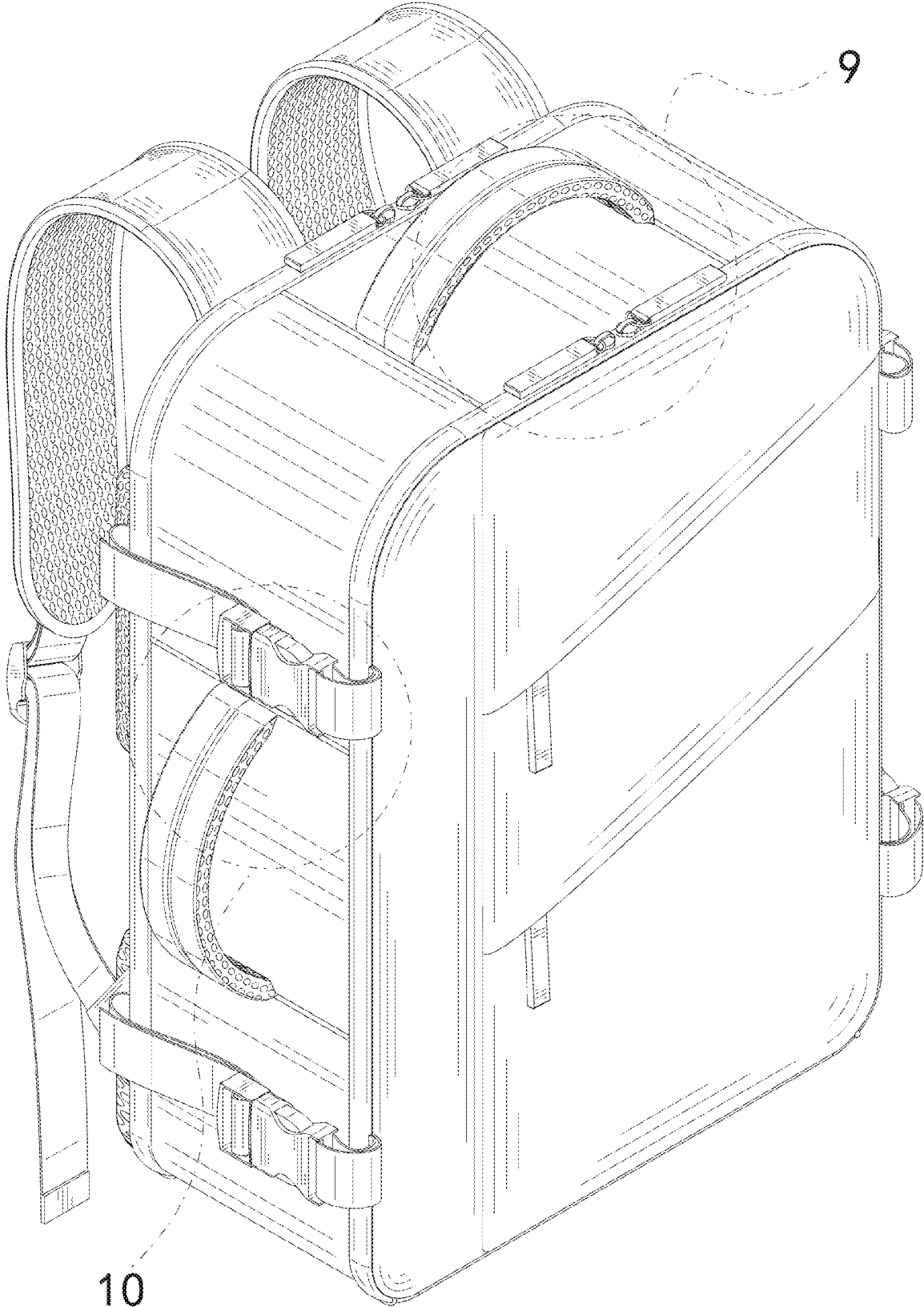


FIG. 1

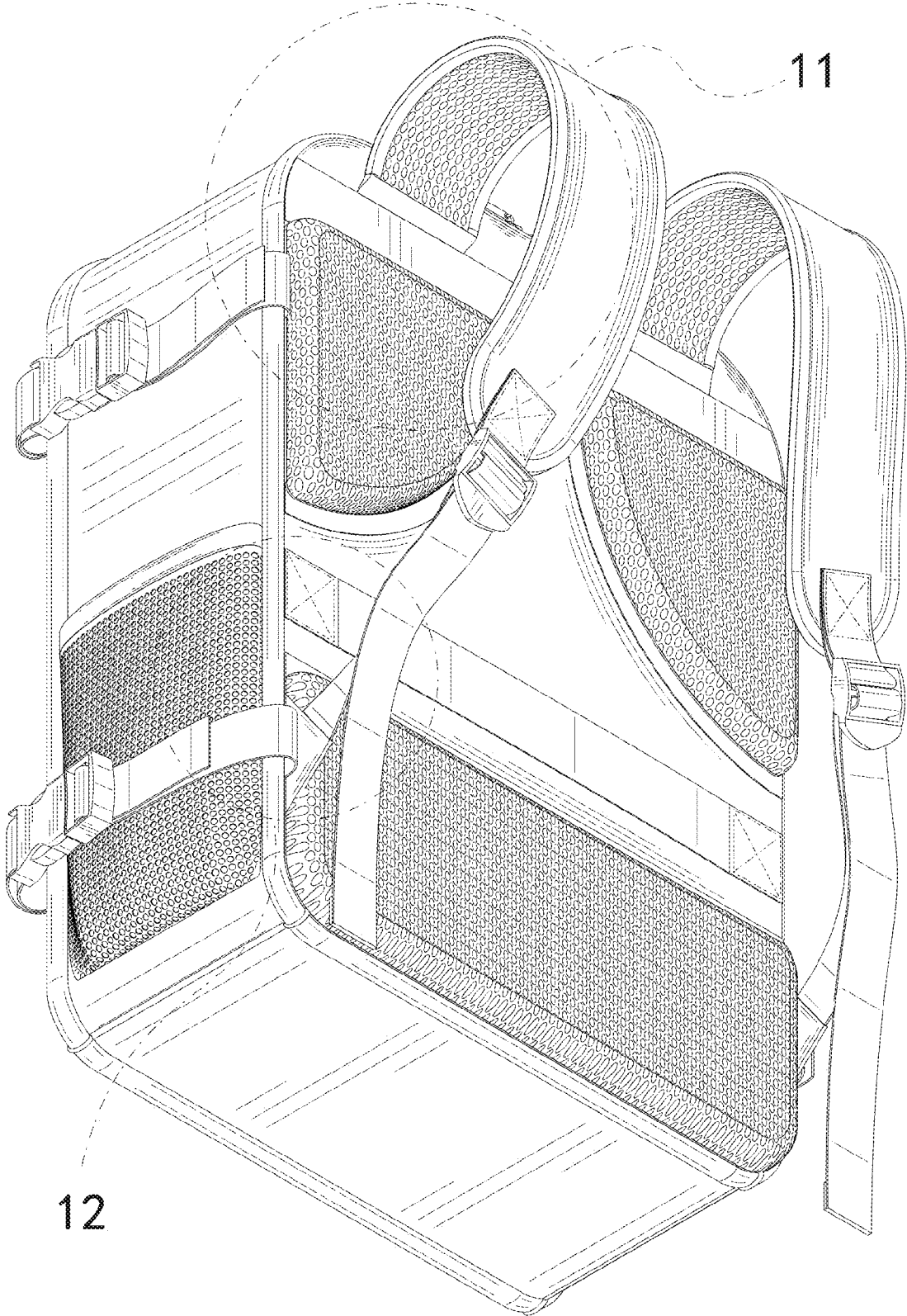


FIG. 2

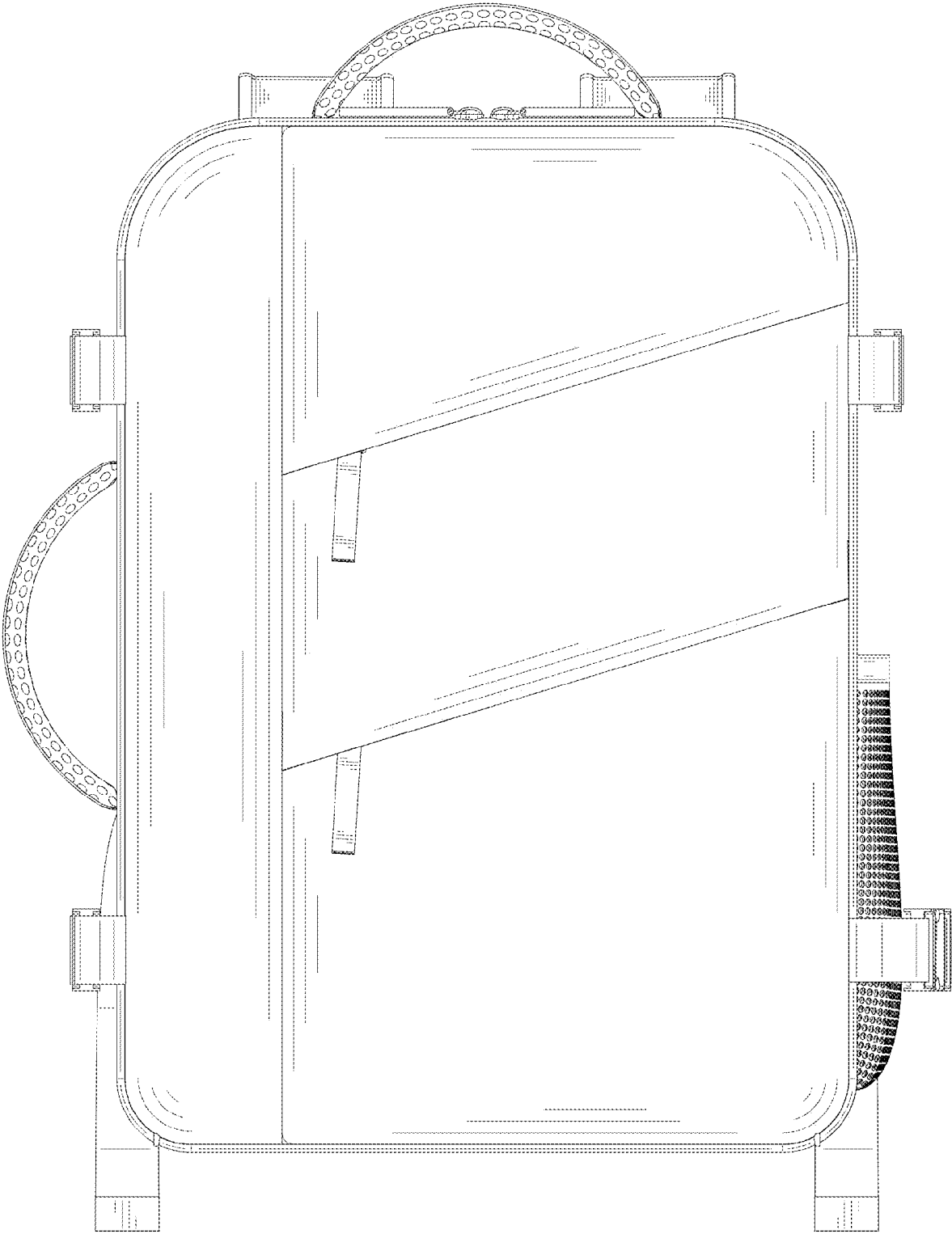


FIG. 3

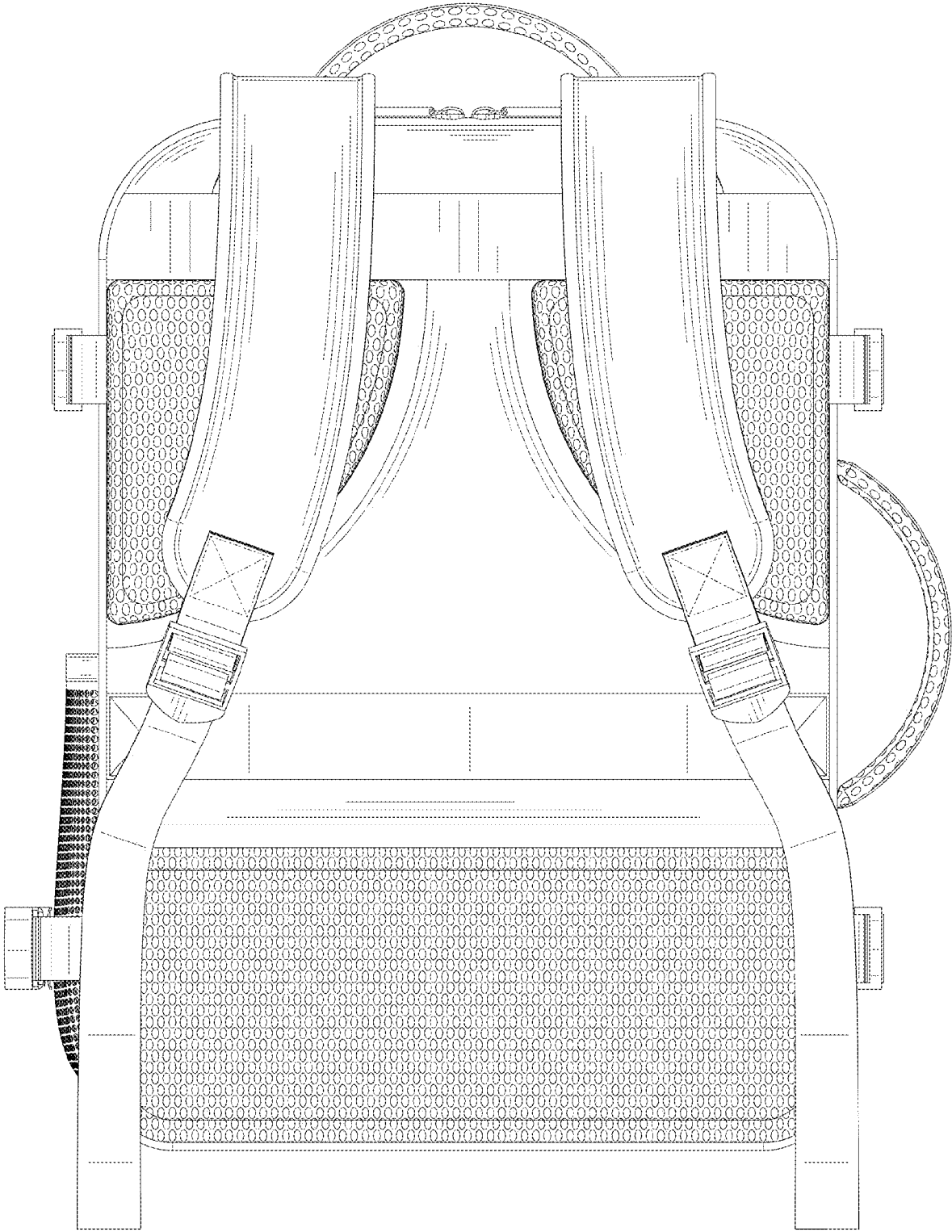


FIG. 4

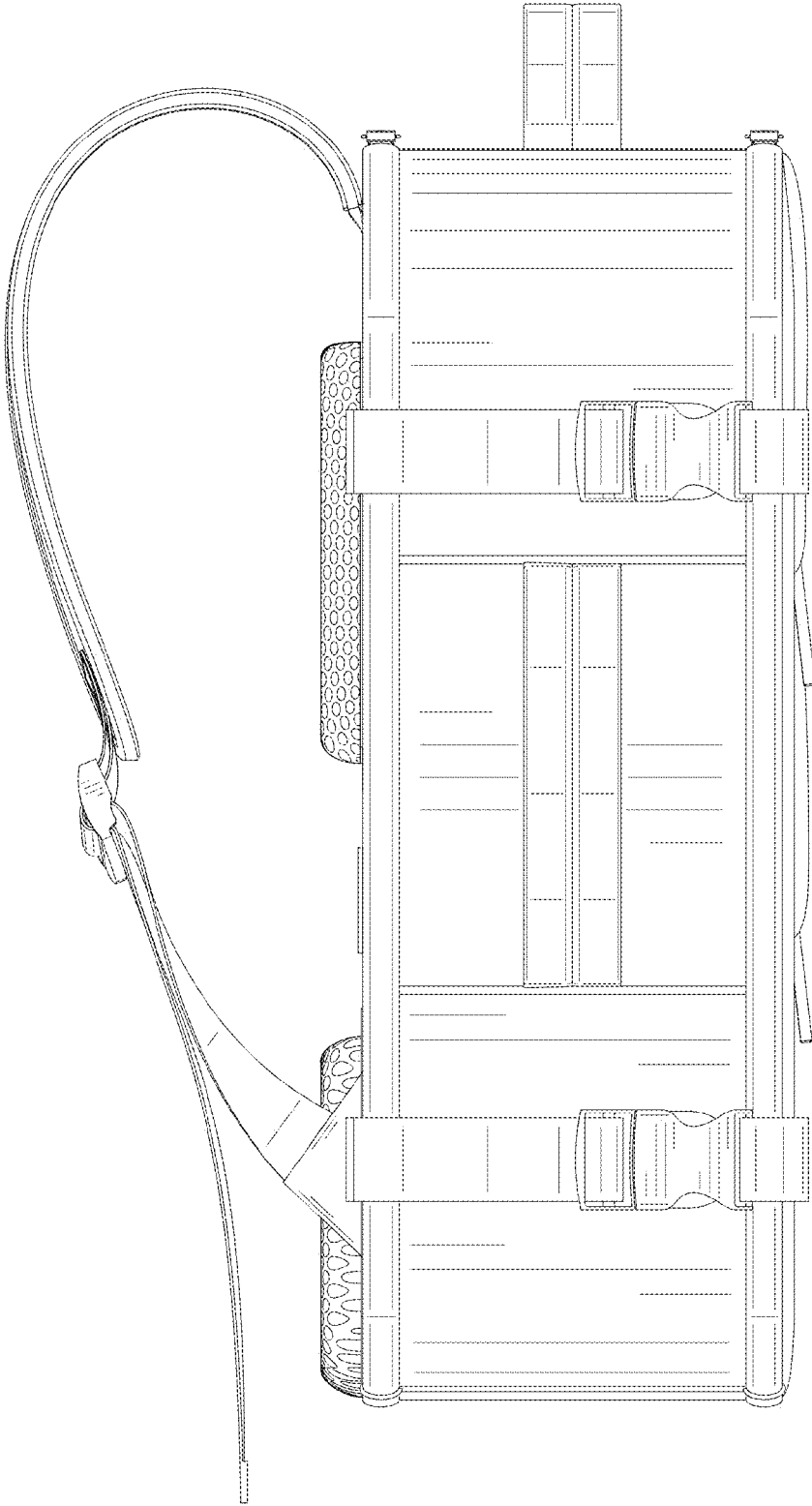


FIG. 5

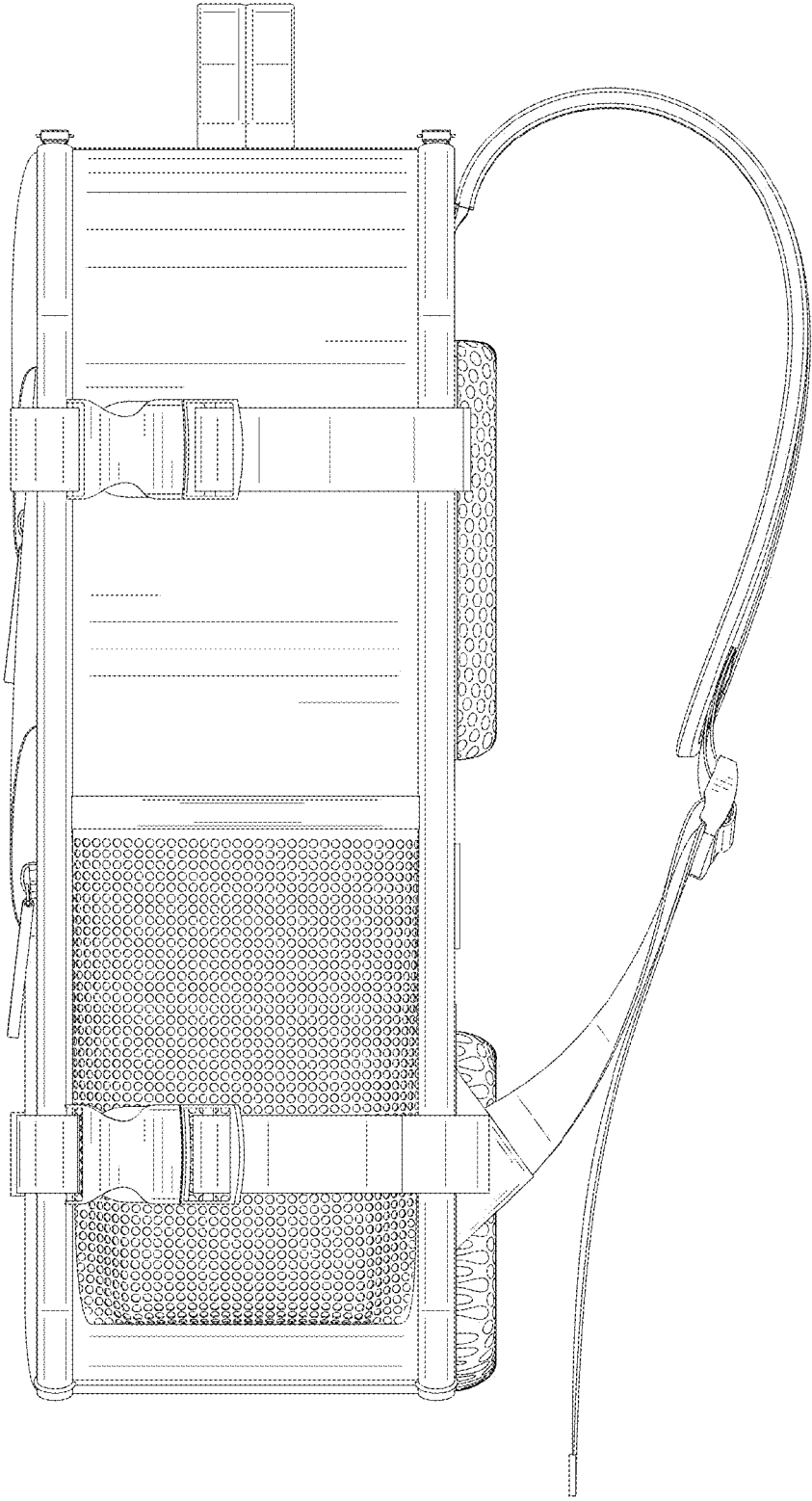


FIG. 6

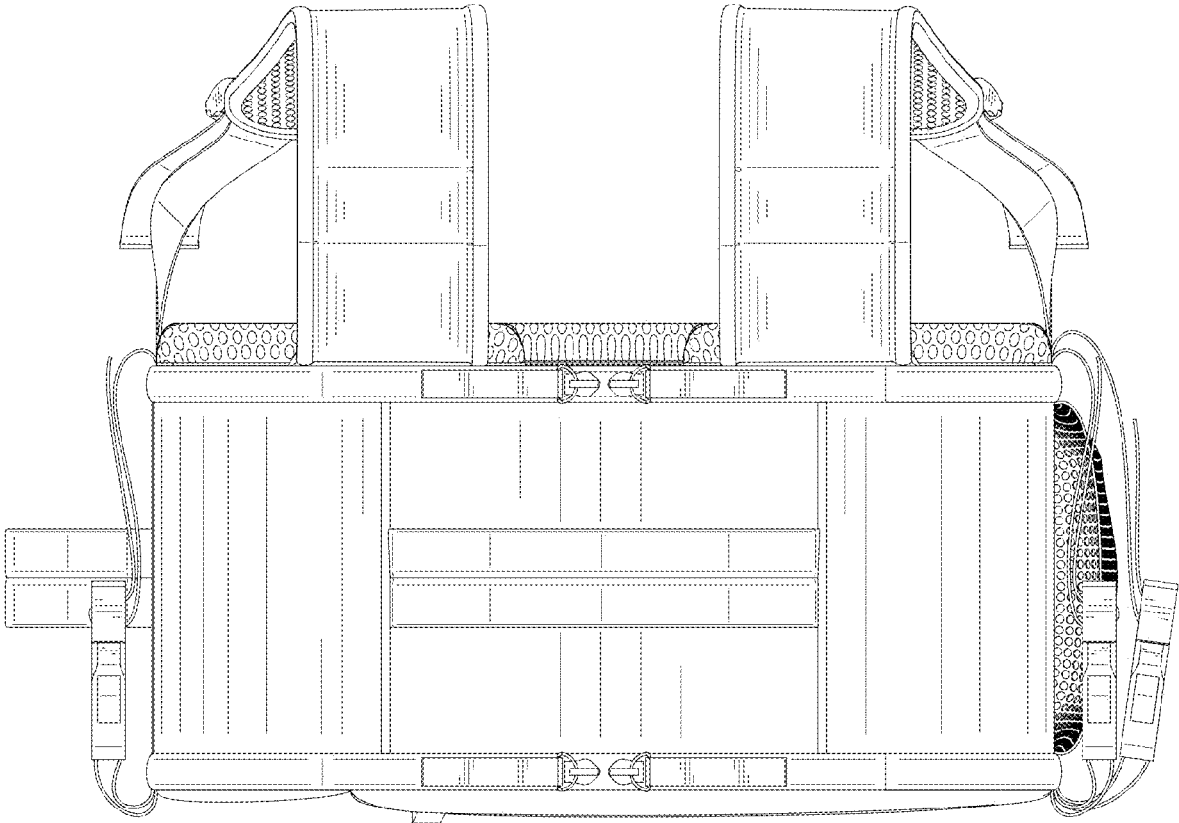


FIG. 7

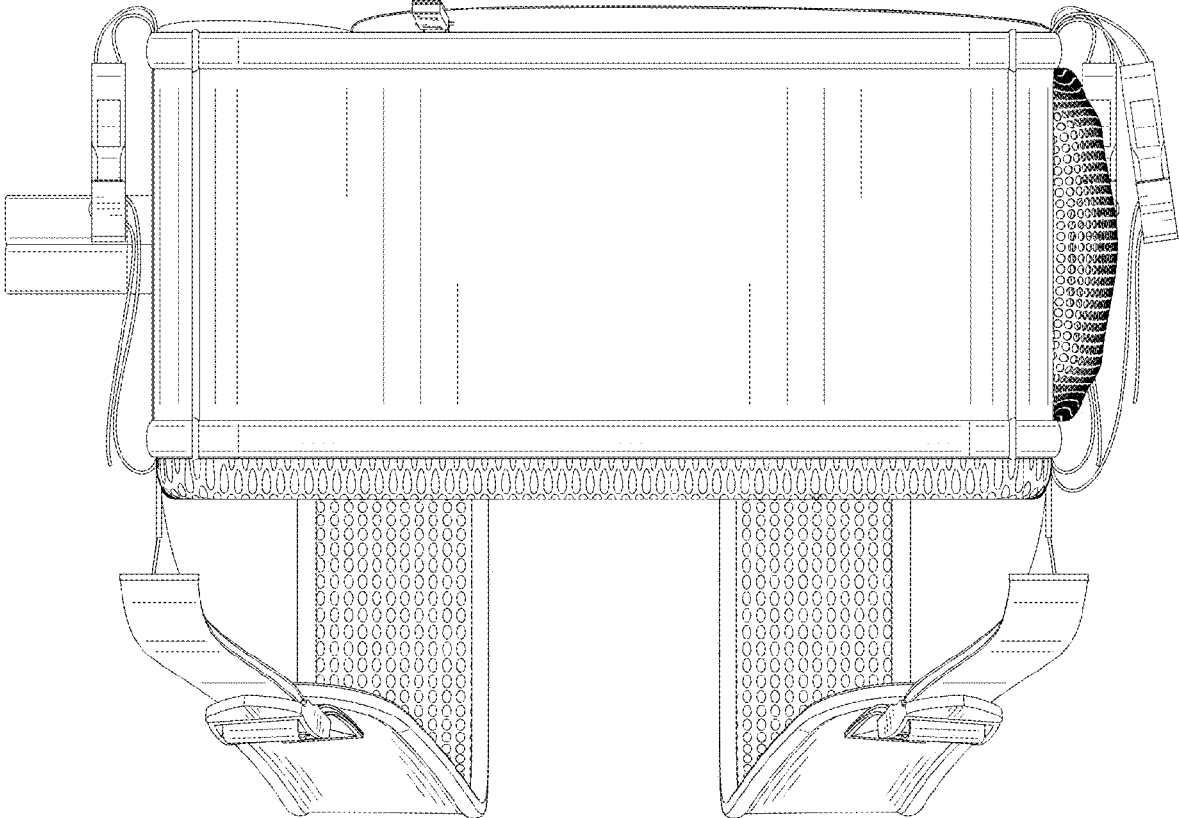


FIG. 8

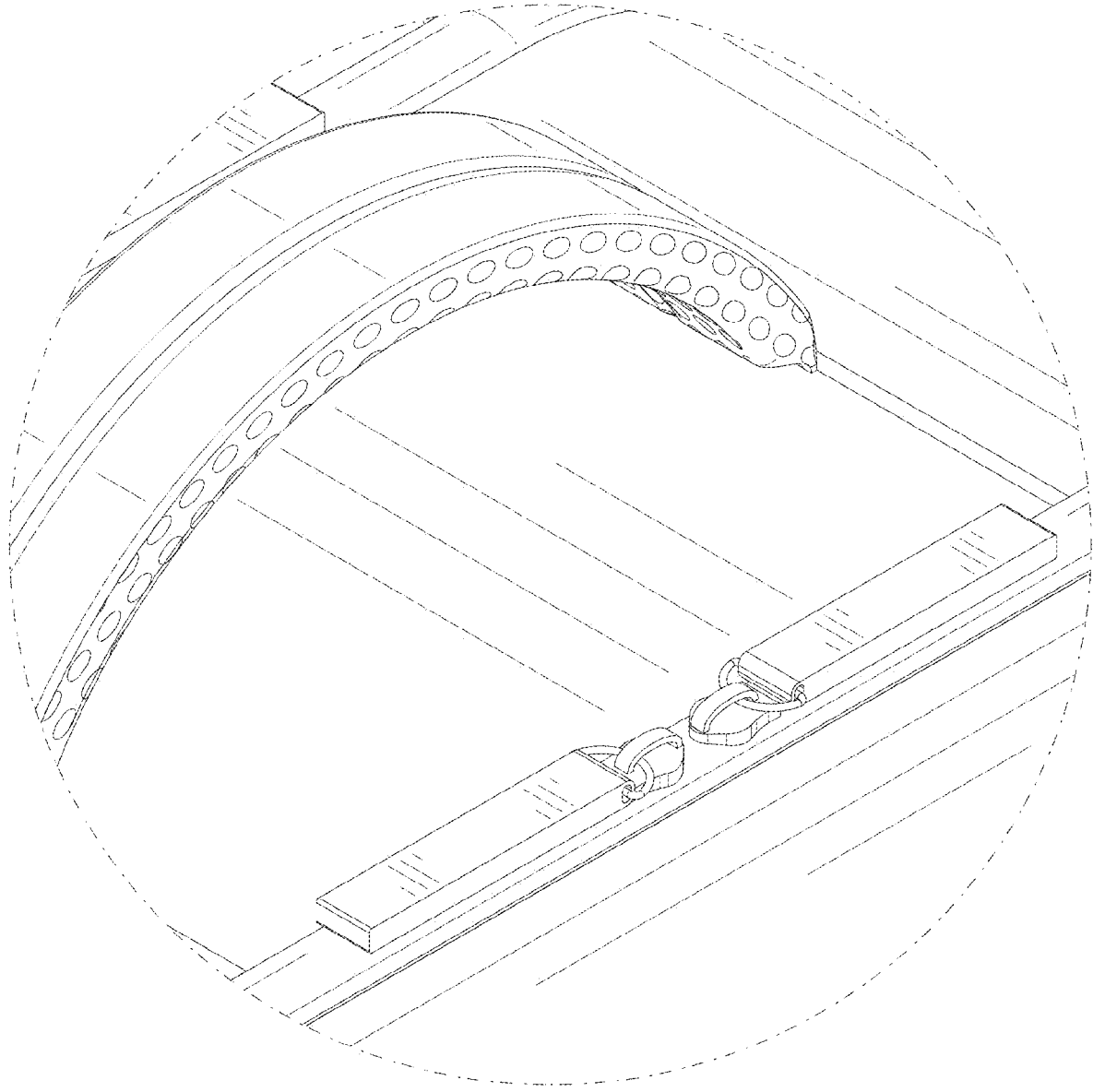


FIG. 9

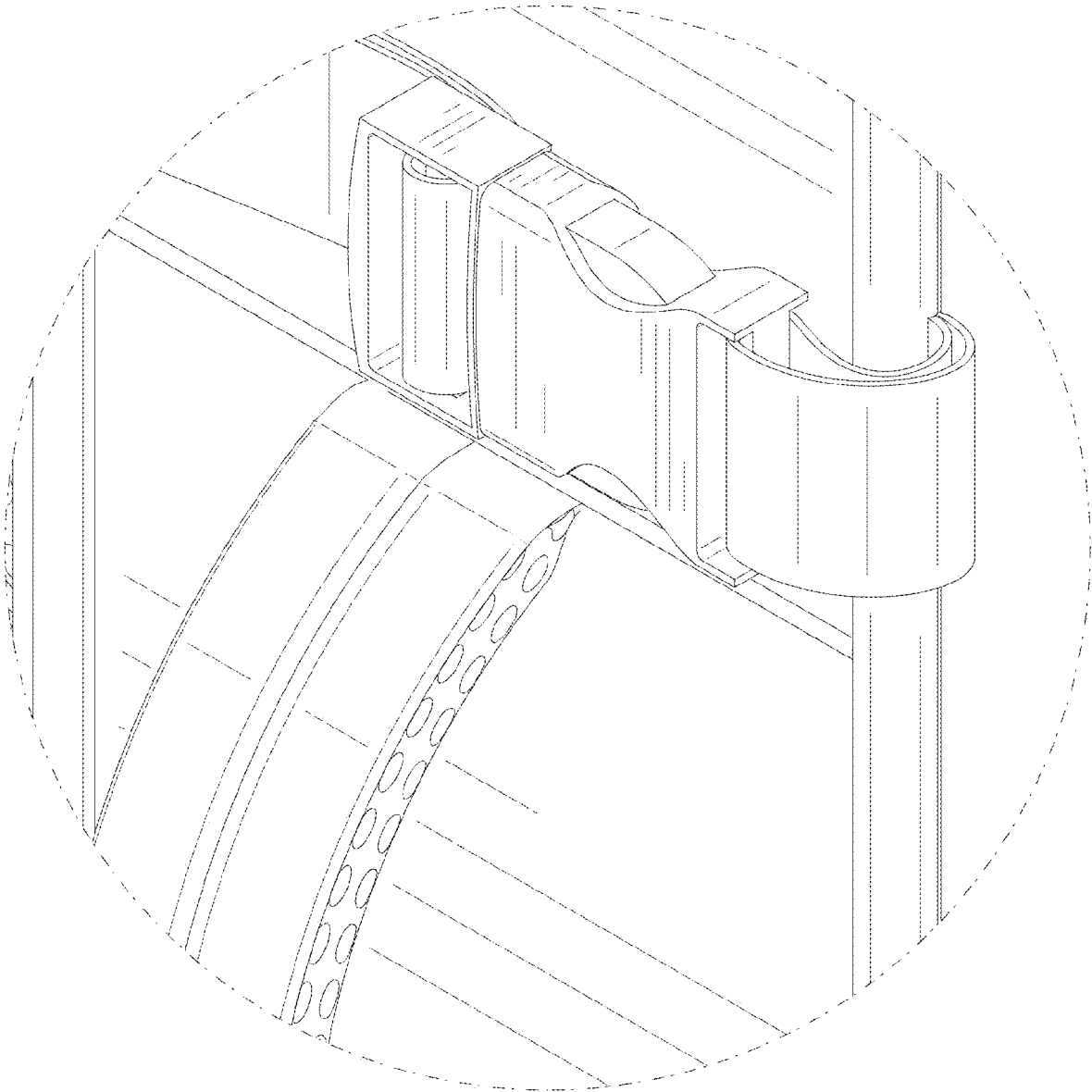


FIG. 10

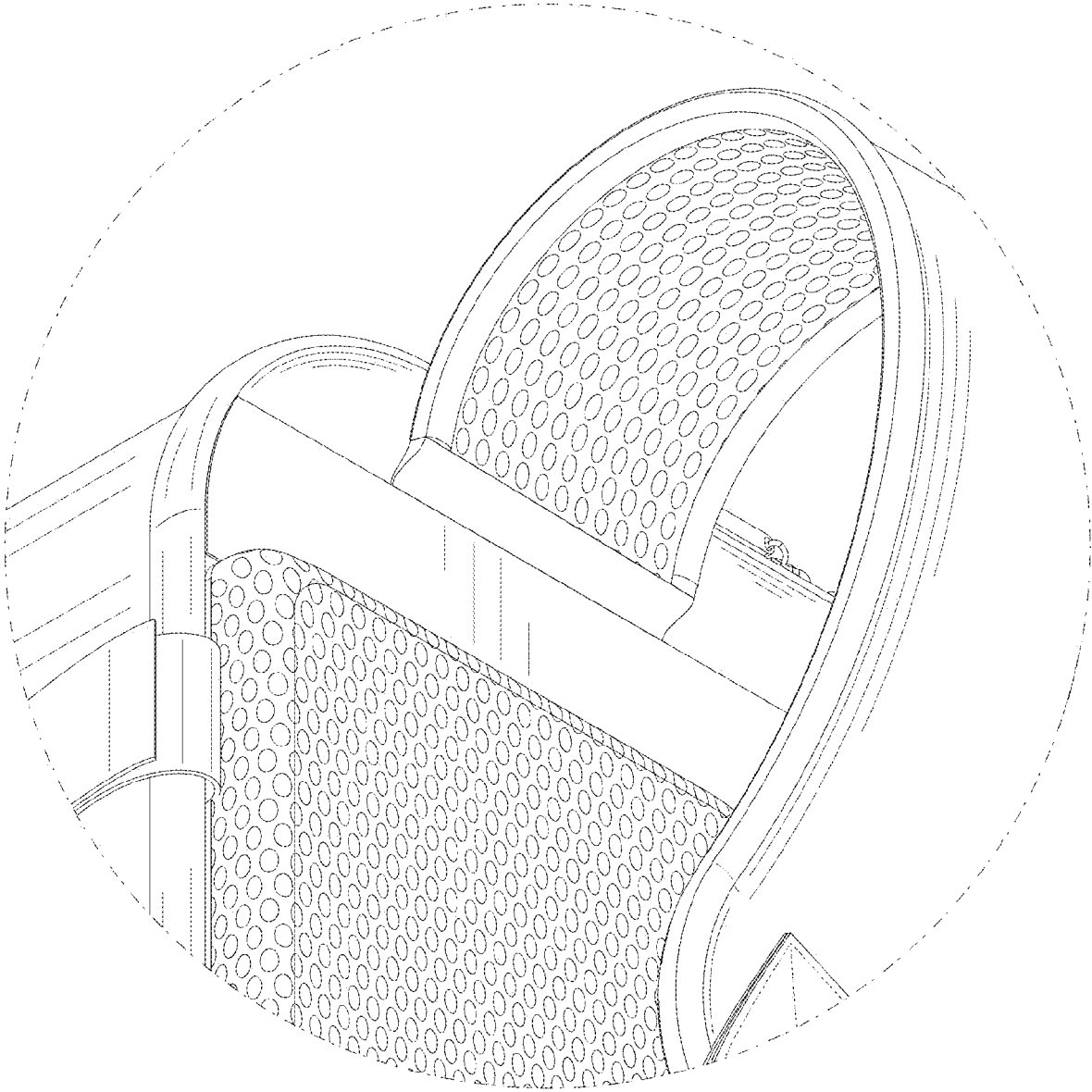


FIG. 11

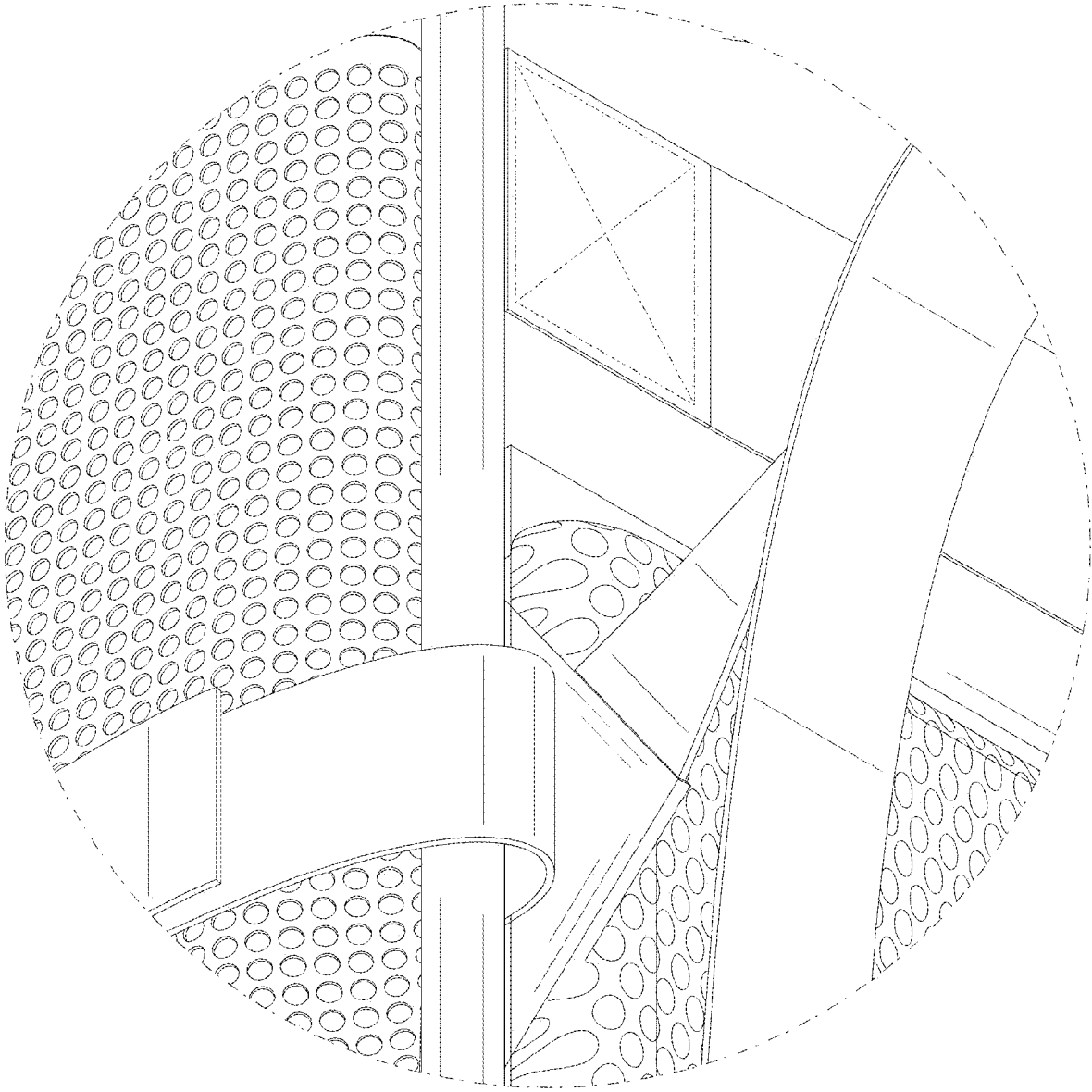


FIG. 12