



US00D656170S

(12) **United States Design Patent**
Costa Pujadas

(10) **Patent No.:** **US D656,170 S**

(45) **Date of Patent:** **** Mar. 20, 2012**

(54) **TRANSVERSAL MECHANICAL CLUTCH FOR VEHICLES WITH AUTOMATIC TWO AND FOUR-STROKE ENGINES**

(76) Inventor: **Juan Costa Pujadas**, L'Amettla Del Valles (ES)

(**) Term: **14 Years**

(21) Appl. No.: **29/363,460**

(22) Filed: **Jun. 9, 2010**

(51) **LOC (9) Cl.** **15-09**

(52) **U.S. Cl.** **D15/148**

(58) **Field of Classification Search** D15/5, D15/143, 148, 149; 192/38, 44, 45, 70.17, 192/70.2, 212, 214, 214.1; 384/526, 534, 384/576

See application file for complete search history.

(56) **References Cited**

U.S. PATENT DOCUMENTS

D395,325	S *	6/1998	Fukuda	D15/148
D402,299	S *	12/1998	Mizukami	D15/148
D423,530	S *	4/2000	Mizukami	D15/148
7,124,869	B2 *	10/2006	Hoebel et al.	192/48.91
7,191,881	B2 *	3/2007	Tsukada et al.	192/45
2002/0053498	A1 *	5/2002	Orlamunder	192/212
2009/0078523	A1 *	3/2009	Grzeslo et al.	192/45
2009/0200131	A1 *	8/2009	Showalter	192/70.2
2011/0005881	A1 *	1/2011	Kawai et al.	192/45
2011/0048885	A1 *	3/2011	Zen	192/45
2011/0048886	A1 *	3/2011	Yamamoto et al.	192/45
2011/0088988	A1 *	4/2011	Sakai et al.	192/45
2011/0108383	A1 *	5/2011	Savu et al.	192/45

2011/0253497 A1* 10/2011 Tamura 192/45
* cited by examiner

Primary Examiner — Patricia Palasik

(74) *Attorney, Agent, or Firm* — Dowell & Dowell, P.C.

(57) **CLAIM**

The ornamental design for a transversal mechanical clutch for vehicles with automatic two and four-stroke engines, as shown and described.

DESCRIPTION

FIG. 1 is a top perspective view of a transversal mechanical clutch for vehicles with automatic two and four-stroke engines having an upper mobile disk, lower induced disk and twelve sliding elements showing my new design;

FIG. 2 is a top plan view thereof;

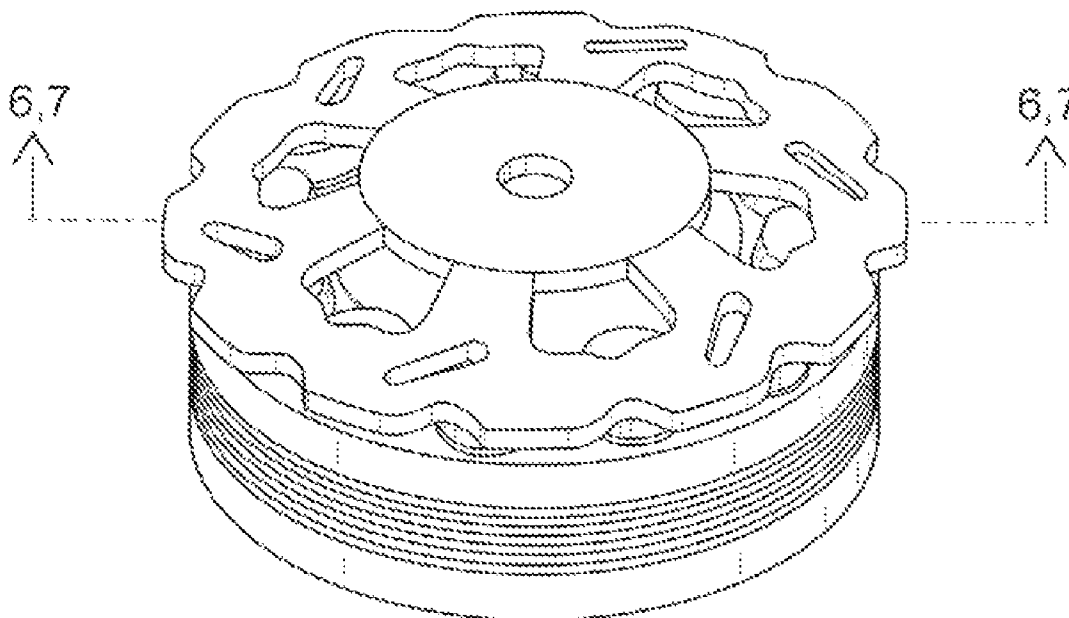
FIG. 3 is a bottom plan view thereof;

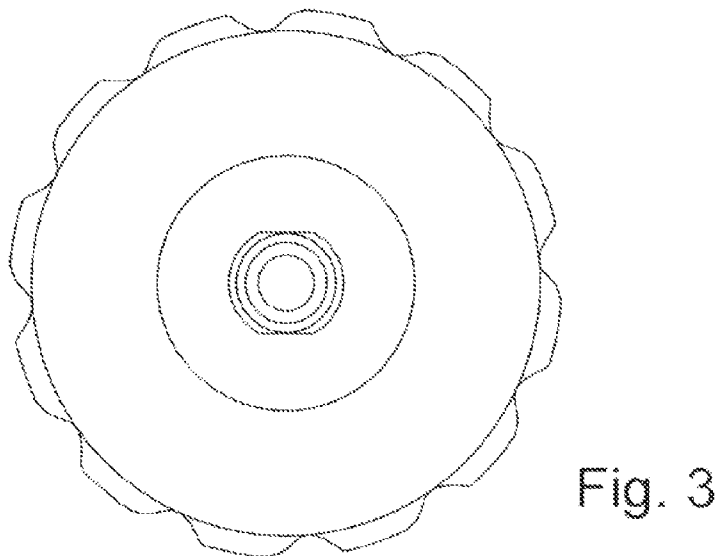
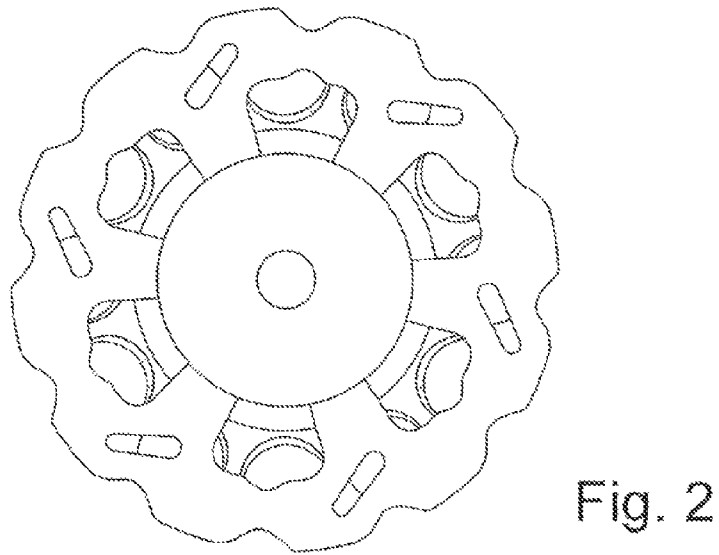
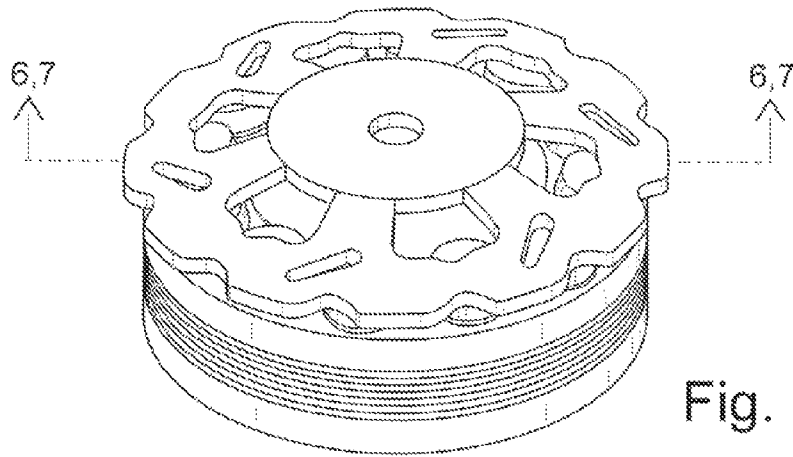
FIG. 4 is a top plan view of the transversal mechanical clutch for vehicles with automatic two and four-stroke engines having an upper mobile disk with the upper mobile disk removed for clarity of disclosure as shown in FIG. 5;

FIG. 5 is a top perspective view of the transversal mechanical clutch for vehicles with automatic two and four-stroke engines having an upper mobile disk with the upper mobile disk removed for clarity of disclosure;

FIG. 6 is a cross sectional view of the transversal mechanical clutch for vehicles with automatic two and four-stroke engines having an upper mobile disk shown along line 6,7-6,7 in FIG. 1 with the sliding elements in an upper position; and, FIG. 7 is a cross sectional view of the transversal mechanical clutch for vehicles with automatic two and four-stroke engines having an upper mobile disk shown along line 6,7-6,7 in FIG. 1 with the sliding elements shown in a lower position.

1 Claim, 3 Drawing Sheets





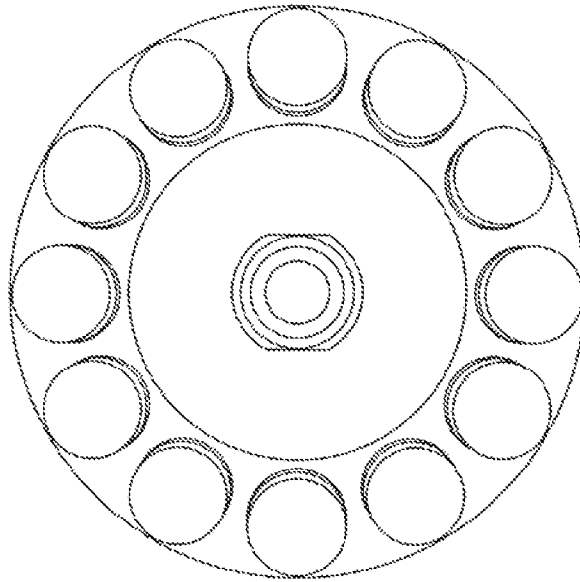


Fig. 4

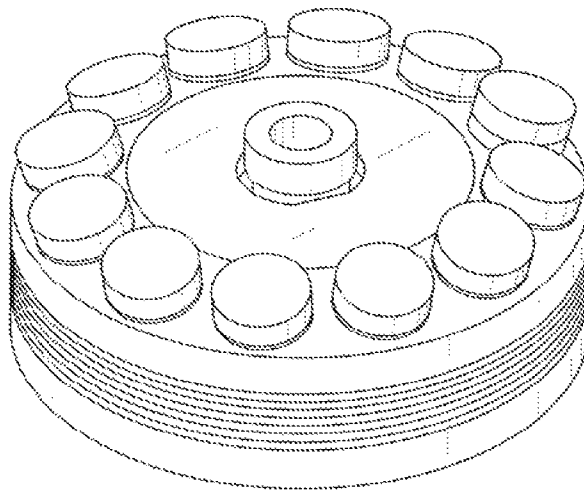


Fig. 5

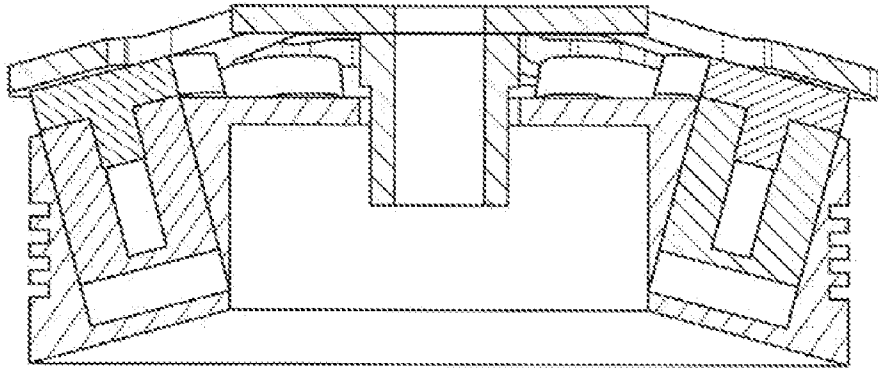


Fig. 6

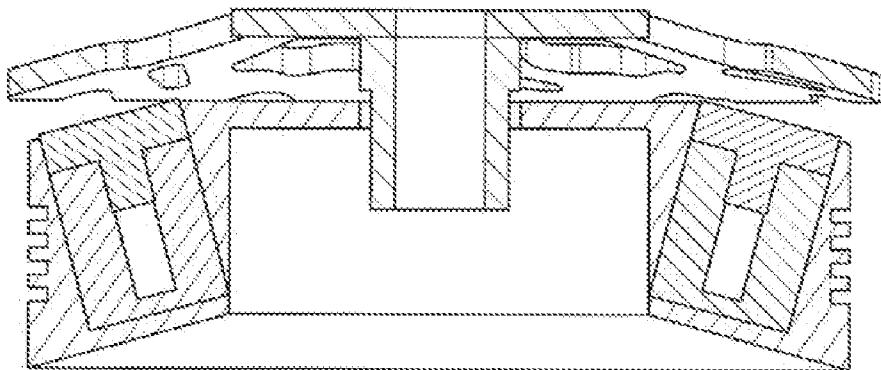


Fig. 7