



US00D726569S

(12) **United States Design Patent**
Thiele

(10) **Patent No.:** **US D726,569 S**

(45) **Date of Patent:** **** Apr. 14, 2015**

(54) **CLOSURE CAP OF A MEASURING APPARATUS FOR MEASURING POOL WATER QUALITY**

FOREIGN PATENT DOCUMENTS

WO 8501579 4/1985

OTHER PUBLICATIONS

Cap, 1986.
<http://www.lovibond.com/en/pool/rapid-tests/pooltester>, 1986.

* cited by examiner

Primary Examiner — Antoine D Davis
(74) *Attorney, Agent, or Firm* — Carlson, Gaskey & Olds, PC

(71) Applicant: **Tintometer GmbH**, Dortmund (DE)

(72) Inventor: **Helmut Thiele**, Essen (DE)

(73) Assignee: **Tintometer GmbH**, Dortmund (DE)

(**) Term: **14 Years**

(21) Appl. No.: **29/494,431**

(22) Filed: **Jun. 20, 2014**

(30) **Foreign Application Priority Data**

Dec. 20, 2013 (EM) 002375287-0001

(51) **LOC (10) Cl.** **10-04**

(52) **U.S. Cl.**
USPC **D10/103**

(58) **Field of Classification Search**
CPC C02F 1/008; C02F 2103/42; C02F 220/00;
G01N 21/77–21/84; G01N 1/12; G01N
33/18–33/1893; G01N 33/52–33/528
USPC D10/46, 74, 81, 103
See application file for complete search history.

(56) **References Cited**

U.S. PATENT DOCUMENTS

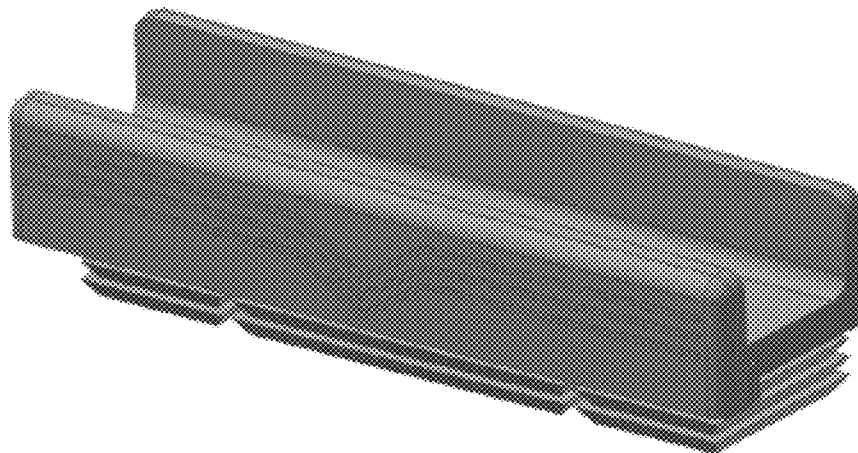
4,904,605 A 2/1990 O'Brien et al.
D665,279 S * 8/2012 Wang et al. D10/46
D688,962 S 9/2013 Rossano

(57) **CLAIM**
I claim the ornamental design of a closure cap of a measuring apparatus for measuring pool water quality, as shown and described.

DESCRIPTION

FIG. 1 is a perspective view of a closure cap of a measuring apparatus for measuring pool water quality.
FIG. 2 is an end view of the closure cap for the measuring apparatus of FIG. 1.
FIG. 3 is an end view, opposite of the end shown in FIG. 2, of the closure cap for the measuring apparatus of FIG. 1.
FIG. 4 is a bottom view of the closure cap for the measuring apparatus of FIG. 1.
FIG. 5 is a side view of the closure cap for the measuring apparatus of FIG. 1.
FIG. 6 is a top view of the closure cap for the measuring apparatus of FIG. 1; and,
FIG. 7 is a side view, opposite of the side shown in FIG. 5, of the closure cap for the measuring apparatus of FIG. 1.

1 Claim, 7 Drawing Sheets



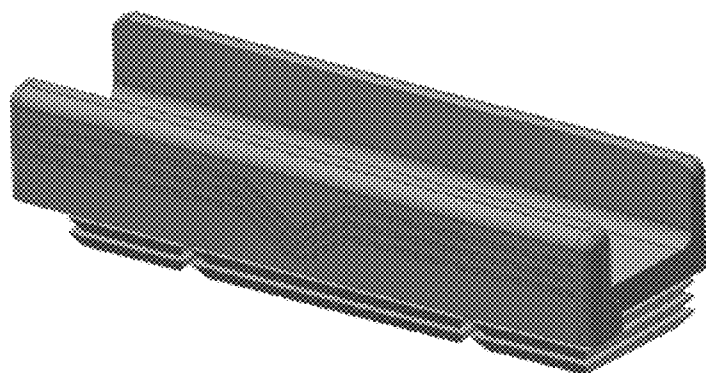


FIGURE 1

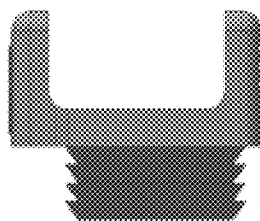


FIGURE 2

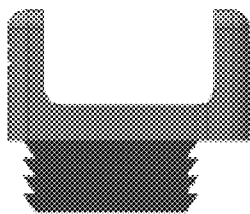


FIGURE 3

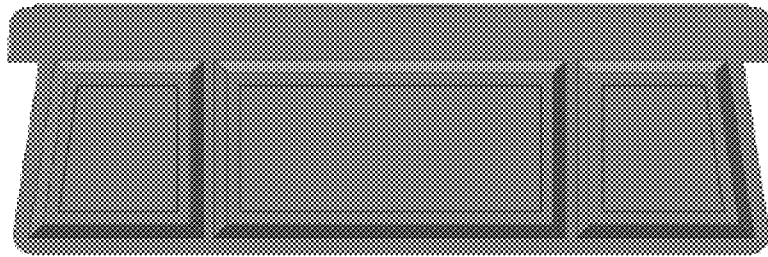


FIGURE 4

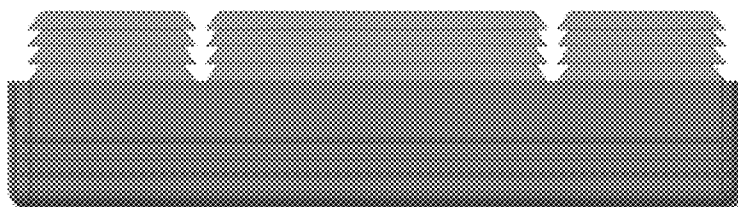


FIGURE 5

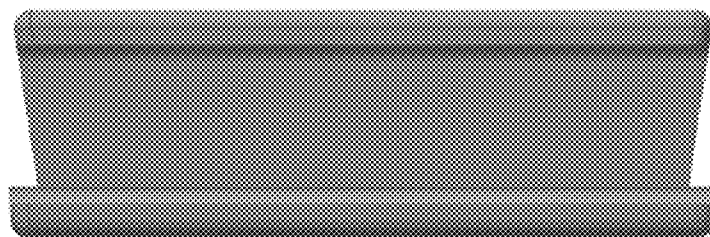


FIGURE 6

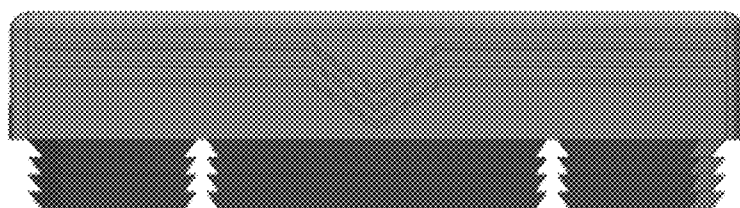


FIGURE 7