



(12) **United States Design Patent**
Ward, Jr. II

(10) **Patent No.:** **US D737,422 S**
(45) **Date of Patent:** **** Aug. 25, 2015**

- (54) **CONDOM WITH SHIELD**
- (71) Applicant: **Alexander H. Ward, Jr. II**, Baltimore, MD (US)
- (72) Inventor: **Alexander H. Ward, Jr. II**, Baltimore, MD (US)
- (**) Term: **14 Years**
- (21) Appl. No.: **29/453,360**
- (22) Filed: **Apr. 29, 2013**
- (51) **LOC (10) Cl.** **28-01**
- (52) **U.S. Cl.** **D24/105**
USPC **D24/105**
- (58) **Field of Classification Search**
USPC D24/105, 106; D21/440
CPC A61F 6/02; A61F 6/04; A61F 2006/041–2006/049
See application file for complete search history.

5,163,449	A *	11/1992	van der Valk	128/844
5,168,881	A *	12/1992	Reddy	128/844
D338,527	S *	8/1993	Rosner	D24/105
5,351,698	A *	10/1994	Wheeler et al.	128/844
5,390,681	A *	2/1995	Daley	128/842
5,419,341	A *	5/1995	Galasso	128/844
5,623,947	A *	4/1997	Lawlor	128/844
D685,082	S *	6/2013	Mena	D24/105

* cited by examiner

Primary Examiner — Ian Simmons
Assistant Examiner — Richelle G Shelton
(74) *Attorney, Agent, or Firm* — Rosenberg, Klein & Lee

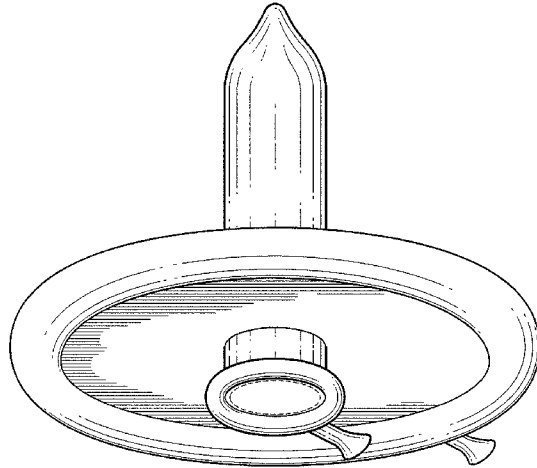
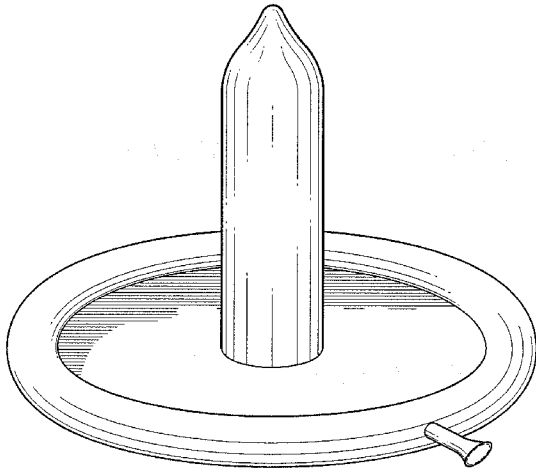
(57) **CLAIM**
The ornamental design for a “condom with shield,” as shown and described.

DESCRIPTION

FIG. 1 is a top perspective view of a condom with shield showing my new design;
FIG. 2 is front elevation view thereof;
FIG. 3 is a rear elevation view thereof;
FIG. 4 is a top plan view thereof;
FIG. 5 is a bottom plan view thereof;
FIG. 6 is a left side elevation view thereof;
FIG. 7 is a right side elevation view thereof; and,
FIG. 8 is a bottom perspective view thereof.
The broken line showing immediately adjacent the shaded areas represents boundaries to the claimed design with the line itself and all within excluded from the claim.

1 Claim, 8 Drawing Sheets

- (56) **References Cited**
U.S. PATENT DOCUMENTS
4,794,920 A * 1/1989 Robichaud 128/844
4,888,007 A * 12/1989 Loeb et al. 604/352
4,955,392 A * 9/1990 Sorkin 128/844
D311,252 S * 10/1990 Pettway D24/105
5,083,414 A * 1/1992 Wu 53/429
5,111,831 A * 5/1992 Foggia 128/842



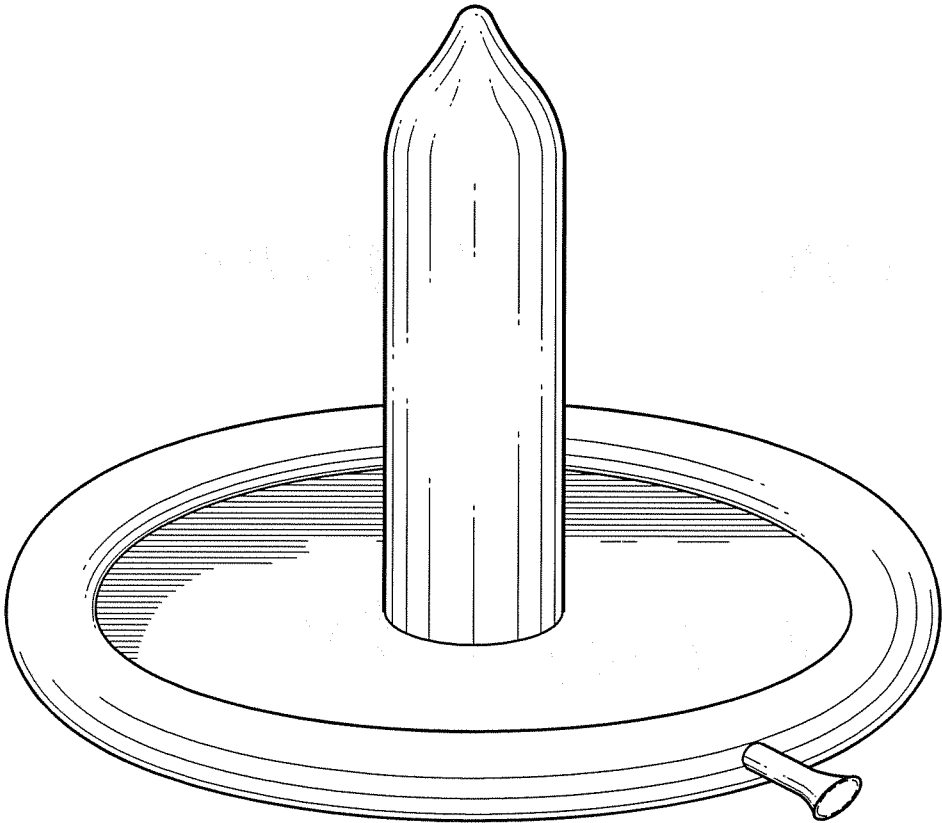


FIG. 1

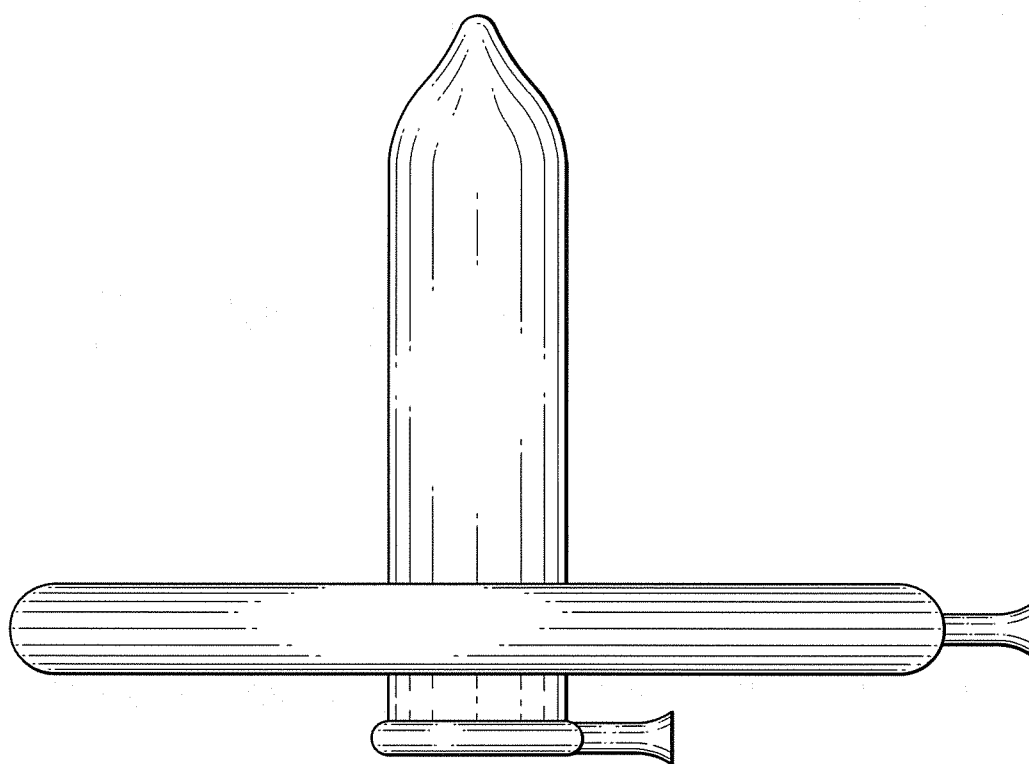


FIG. 2

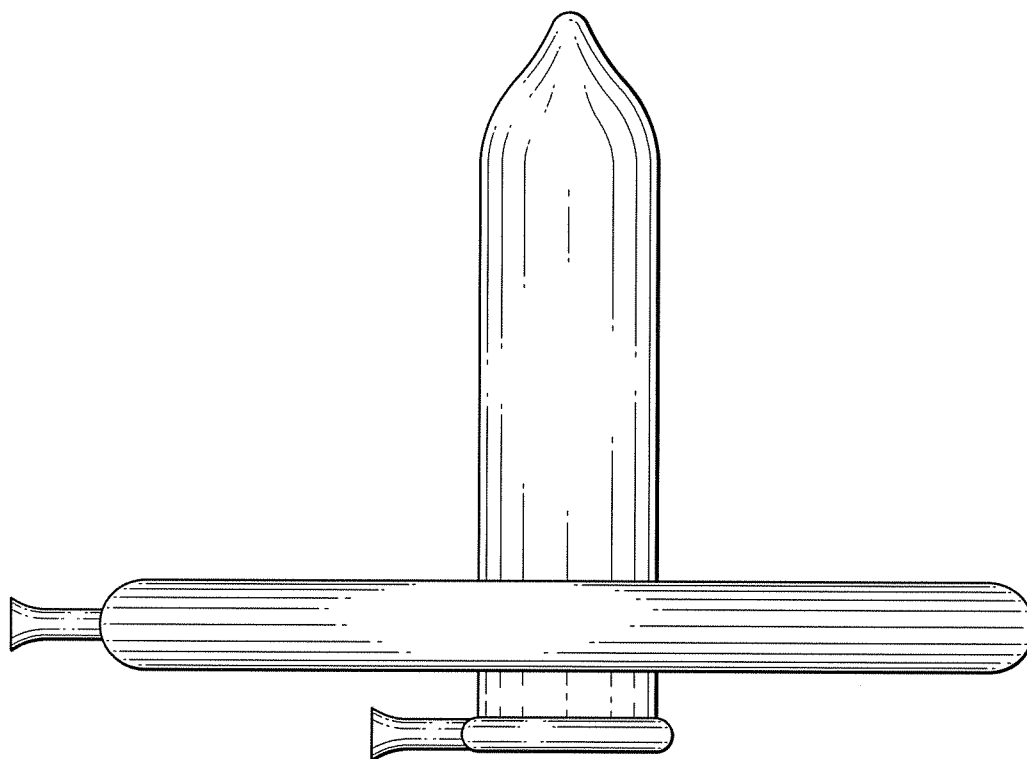


FIG. 3

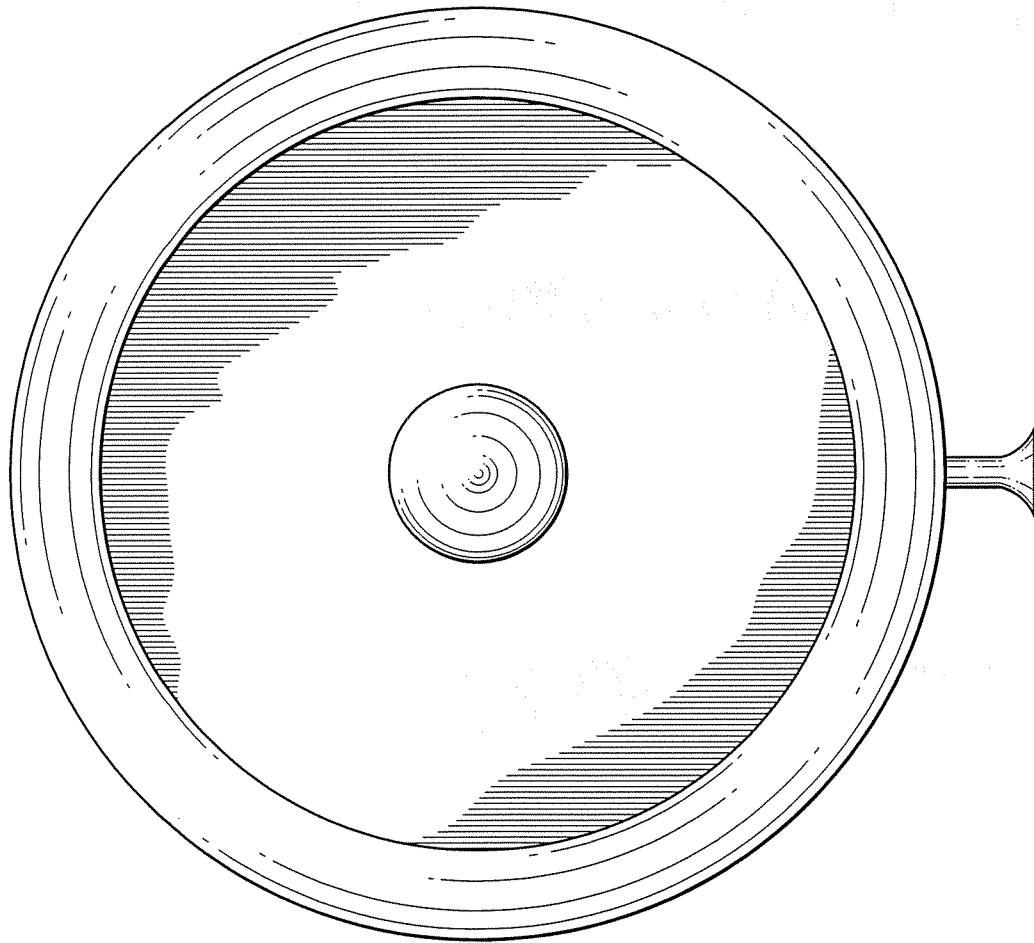


FIG. 4

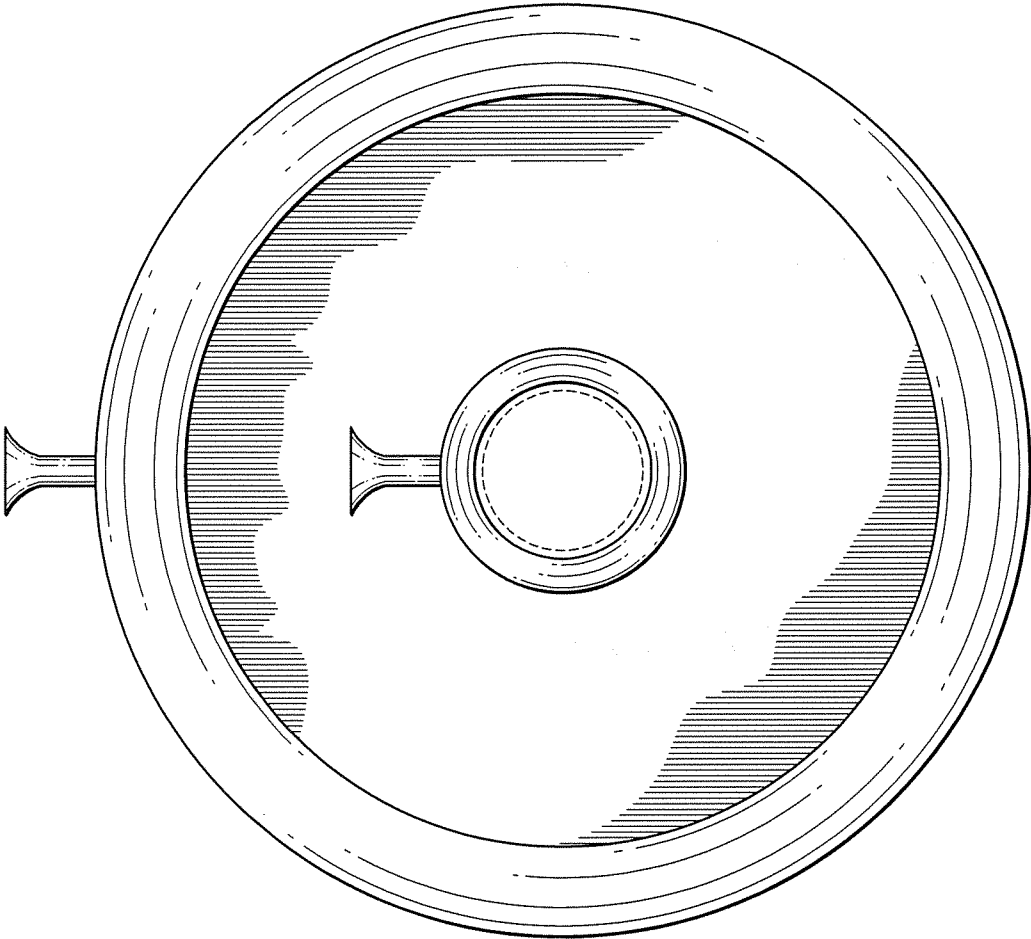


FIG. 5

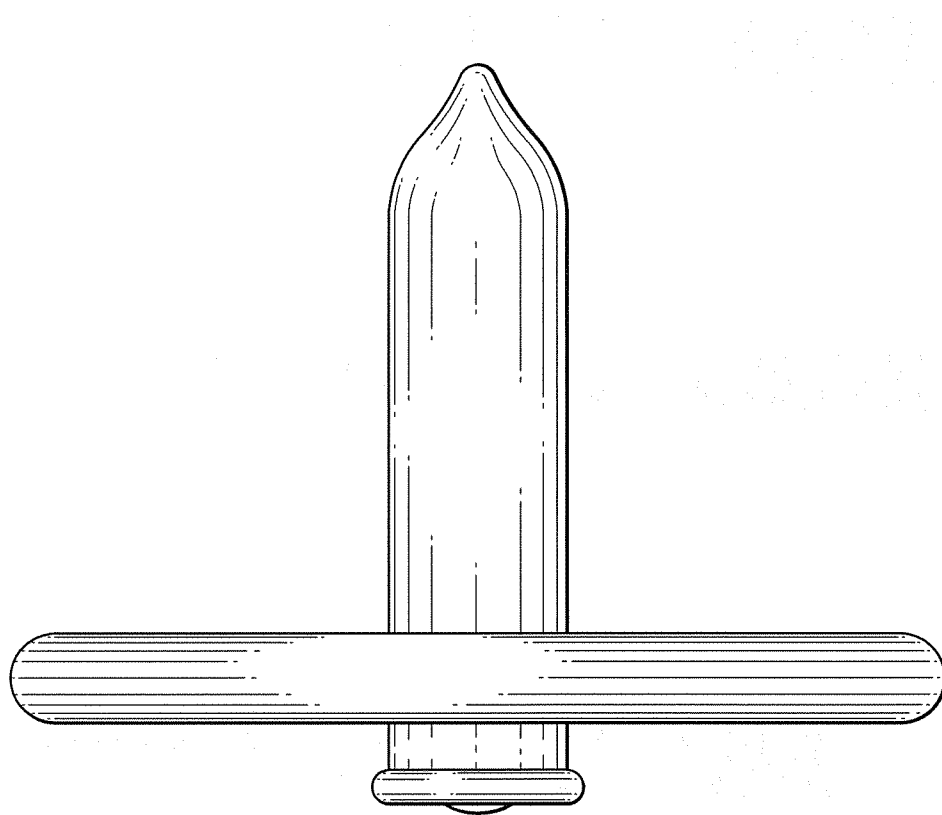


FIG. 6

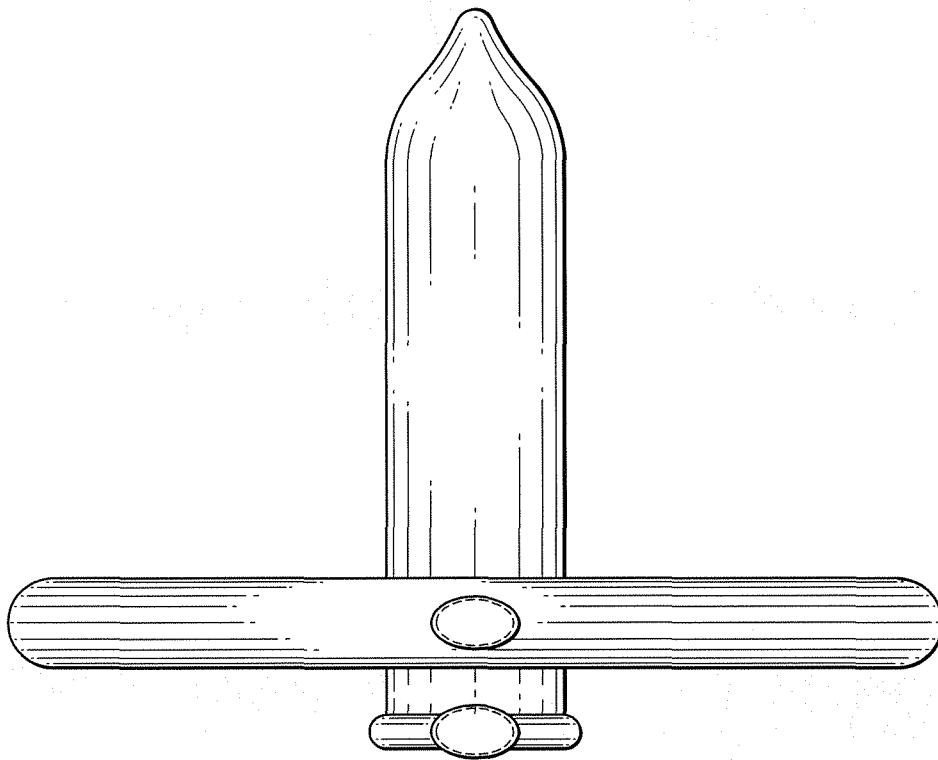


FIG. 7

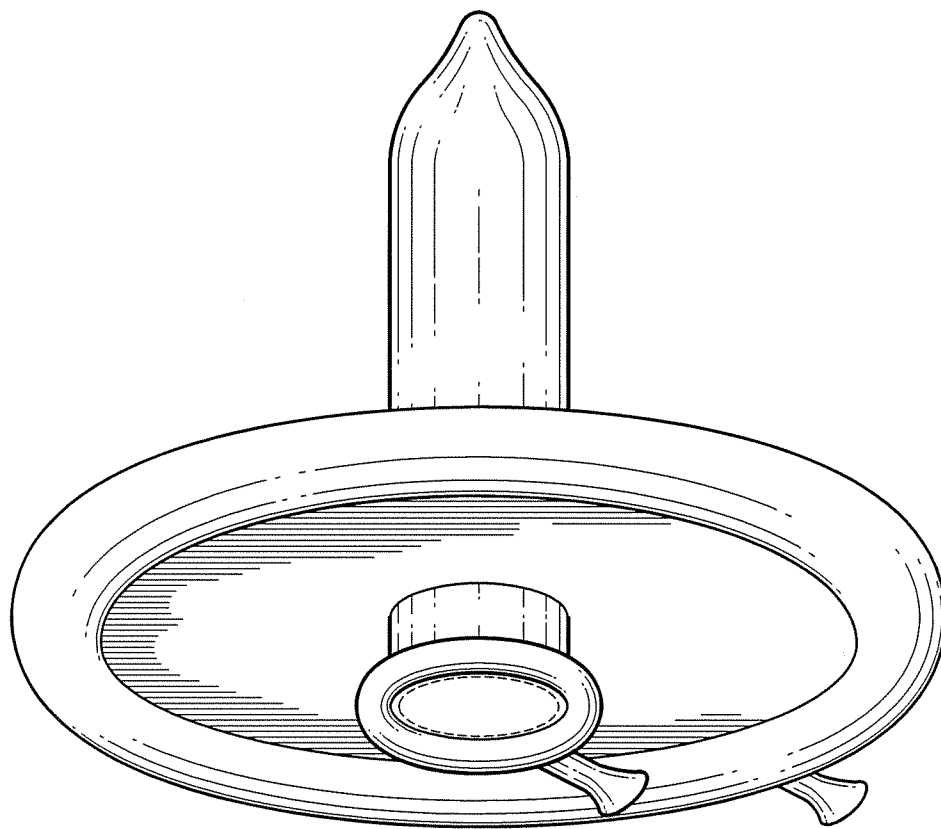


FIG. 8