



- (51) International Patent Classification:  
*F01D 1/04* (2006.01)      *G06F 17/50* (2006.01)
- (21) International Application Number:  
PCT/US2013/020724
- (22) International Filing Date:  
9 January 2013 (09.01.2013)
- (25) Filing Language: English
- (26) Publication Language: English
- (30) Priority Data:  
13/403,005      31 January 2012 (31.01.2012)      US
- (71) Applicants: **UNITED TECHNOLOGIES CORPORATION** [US/US]; One Financial Plaza, Hartford, Connecticut 06101 (US). **MTU AERO ENGINES GMBH** [DE/DE]; Dachauer Str. 665, 80995 Munich (DE).
- (72) Inventors: **MORIN, Bruce L.**; 20 Biella Street, Springfield, Massachusetts 01104 (US). **KORTE, Detlef**; Waldeckstrasse 4, 81543 Munich (DE).
- (74) Agent: **OLDS, Theodore W.**; Carlson, Gaskey & Olds/Pratt & Whitney, c/o CPA Global, P.O. Box 52050, Minneapolis, Minnesota 55402 (US).
- (81) Designated States (*unless otherwise indicated, for every kind of national protection available*): AE, AG, AL, AM, AO, AT, AU, AZ, BA, BB, BG, BH, BN, BR, BW, BY,

BZ, CA, CH, CL, CN, CO, CR, CU, CZ, DE, DK, DM, DO, DZ, EC, EE, EG, ES, FI, GB, GD, GE, GH, GM, GT, HN, HR, HU, ID, IL, IN, IS, JP, KE, KG, KM, KN, KP, KR, KZ, LA, LC, LK, LR, LS, LT, LU, LY, MA, MD, ME, MG, MK, MN, MW, MX, MY, MZ, NA, NG, NI, NO, NZ, OM, PA, PE, PG, PH, PL, PT, QA, RO, RS, RU, RW, SC, SD, SE, SG, SK, SL, SM, ST, SV, SY, TH, TJ, TM, TN, TR, TT, TZ, UA, UG, US, UZ, VC, VN, ZA, ZM, ZW.

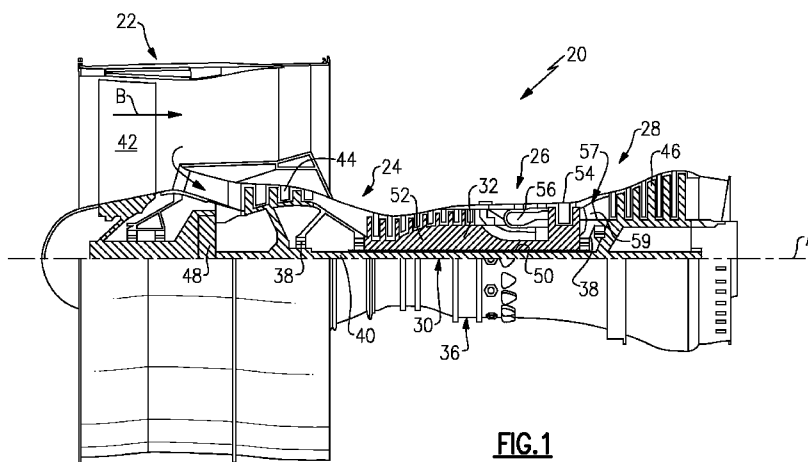
- (84) Designated States (*unless otherwise indicated, for every kind of regional protection available*): ARIPO (BW, GH, GM, KE, LR, LS, MW, MZ, NA, RW, SD, SL, SZ, TZ, UG, ZM, ZW), Eurasian (AM, AZ, BY, KG, KZ, RU, TJ, TM), European (AL, AT, BE, BG, CH, CY, CZ, DE, DK, EE, ES, FI, FR, GB, GR, HR, HU, IE, IS, IT, LT, LU, LV, MC, MK, MT, NL, NO, PL, PT, RO, RS, SE, SI, SK, SM, TR), OAPI (BF, BJ, CF, CG, CI, CM, GA, GN, GQ, GW, ML, MR, NE, SN, TD, TG).

**Published:**

- with international search report (Art. 21(3))
- before the expiration of the time limit for amending the claims and to be republished in the event of receipt of amendments (Rule 48.2(h))

- (88) Date of publication of the international search report:  
28 November 2013

(54) Title: LOW NOISE TURBINE FOR GEARED TURBOFAN ENGINE



**FIG.1**

(57) Abstract: A gas turbine engine is utilized in combination with a gear reduction to reduce the speed of a fan relative to a low pressure turbine speed. The gas turbine engine is designed such that a blade count in the low pressure turbine multiplied by the speed of the low pressure turbine will result in operational noise that is above a sensitive range for human hearing. A method and turbine module are also disclosed.



# INTERNATIONAL SEARCH REPORT

International application No.

PCT/US13/20724

**A. CLASSIFICATION OF SUBJECT MATTER**

IPC: **F01D 1/04**( 2006.01);**G06F 17/50**( 2006.01)

USPC: 415/220;703/001

According to International Patent Classification (IPC) or to both national classification and IPC

**B. FIELDS SEARCHED**

Minimum documentation searched (classification system followed by classification symbols)  
U.S. : 415/220; 703/001

Documentation searched other than minimum documentation to the extent that such documents are included in the fields searched  
USPAT; UPAD

Electronic data base consulted during the international search (name of data base and, where practicable, search terms used).  
Please See Continuation Sheet

**C. DOCUMENTS CONSIDERED TO BE RELEVANT**

Category *	Citation of document, with indication, where appropriate, of the relevant passages	Relevant to claim No.
A	US 3,747,343 (ROSEN) 24 July 1973 (24.07.2973), see entire document.	1-20
A	US 3,270,953 (J. JERIE ET AL) 6 September 1966 (06.09.2966), see entire document	1-20

Further documents are listed in the continuation of Box C.

See patent family annex.

* Special categories of cited documents:	"T"
"A" document defining the general state of the art which is not considered to be of particular relevance	later document published after the international filing date or priority date and not in conflict with the application but cited to understand the principle or theory underlying the invention
"E" earlier application or patent published on or after the international filing date	"X" document of particular relevance: the claimed invention cannot be considered novel or cannot be considered to involve an inventive step when the document is taken alone
"L" document which may throw doubts on priority claim(s) or which is cited to establish the publication date of another citation or other special reason (as specified)	"Y" document of particular relevance: the claimed invention cannot be considered to involve an inventive step when the document is combined with one or more other such documents, such combination being obvious to a person skilled in the art
"O" document referring to an oral disclosure, use, exhibition or other means	"&" document member of the same patent family
"P" document published prior to the international filing date but later than the priority date claimed	

Date of the actual completion of the international search

24 September 2013 (24.09.2013)

Date of mailing of the international search report

30 SEP 2013

Name and mailing address of the ISA/US

Mail Stop PCT, Attn: ISA/US  
Commissioner for Patents  
P.O. Box 1450  
Alexandria, Virginia 22313-1450

Facsimile No. (571) 273-3201

Authorized officer

Ken Wieder  
Telephone No. 571-272-2600

**INTERNATIONAL SEARCH REPORT**

International application No.

PCT/US13/20724

**Box No. II Observations where certain claims were found unsearchable (Continuation of item 2 of first sheet)**

This international search report has not been established in respect of certain claims under Article 17(2)(a) for the following reasons:

1.  Claims Nos.:  
because they relate to subject matter not required to be searched by this Authority, namely:
  
2.  Claims Nos.:  
because they relate to parts of the international application that do not comply with the prescribed requirements to such an extent that no meaningful international search can be carried out, specifically:
  
3.  Claims Nos.:  
because they are dependent claims and are not drafted in accordance with the second and third sentences of Rule 6.4(a).

**Box No. III Observations where unity of invention is lacking (Continuation of item 3 of first sheet)**

This International Searching Authority found multiple inventions in this international application, as follows:

1.  As all required additional search fees were timely paid by the applicant, this international search report covers all searchable claims.
  2.  As all searchable claims could be searched without effort justifying additional fees, this Authority did not invite payment of any additional fees.
  3.  As only some of the required additional search fees were timely paid by the applicant, this international search report covers only those claims for which fees were paid, specifically claims Nos.:
  
  4.  No required additional search fees were timely paid by the applicant. Consequently, this international search report is restricted to the invention first mentioned in the claims; it is covered by claims Nos.:
- Remark on Protest**
- The additional search fees were accompanied by the applicant's protest and, where applicable, the payment of a protest fee.
  - The additional search fees were accompanied by the applicant's protest but the applicable protest fee was not paid within the time limit specified in the invitation.
  - No protest accompanied the payment of additional search fees.

**INTERNATIONAL SEARCH REPORT**

International application No.  
PCT/US13/20724

**Continuation of B. FIELDS SEARCHED Item 3:**

gas, turbine, engine, fan, compressor, low, pressure, portion, high, combustor, section, gear, reduction, effecting, speed, relative, input, number, blades, rows time, rotational, formula, true, approach, revolutions, minute