



US00D748262S

(12) **United States Design Patent**  
**Blain**

(10) **Patent No.:** **US D748,262 S**

(45) **Date of Patent:** **\*\* Jan. 26, 2016**

(54) **INTERBODY BONE IMPLANT**

(71) Applicant: **SPINAL ELEMENTS, INC.**, Carlsbad, CA (US)

(72) Inventor: **Jason Blain**, Encinitas, CA (US)

(73) Assignee: **Spinal Elements, Inc.**, Carlsbad, CA (US)

(\*\*) Term: **14 Years**

(21) Appl. No.: **29/515,551**

(22) Filed: **Jan. 23, 2015**

**Related U.S. Application Data**

(60) Division of application No. 29/404,922, filed on Oct. 26, 2011, now Pat. No. Des. 724,733, which is a continuation-in-part of application No. 13/033,791, filed on Feb. 24, 2011, now Pat. No. 8,740,949.

(51) **LOC (10) Cl.** ..... **24-02**

(52) **U.S. Cl.**  
USPC ..... **D24/155**

(58) **Field of Classification Search**

USPC ..... D24/155, 133, 135; D12/204, 207; D1/100, 127, 130; D21/386  
CPC ..... A61B 17/8061; A61B 17/7059; A61B 17/8052; A61B 17/8605; A61B 17/8085; A61B 17/809; A61B 17/8014; A61B 17/8033; A61B 17/8004; A61B 17/888; A61B 17/842; A61B 17/8023; A61B 17/8009; A61B 17/86; A61B 17/1739; A61B 17/8066; A61B 17/1671; A61B 17/1757; A61B 17/8071; A61B 17/176; A61B 2017/1782; A61B 2017/1775

See application file for complete search history.

(56) **References Cited**

**U.S. PATENT DOCUMENTS**

86,016 A 1/1869 Howell  
1,822,280 A 9/1931 Ervay  
1,822,330 A 9/1931 Anslie

(Continued)

**FOREIGN PATENT DOCUMENTS**

CA 2 437 575 4/2009  
DE 93 04 368 5/1993

(Continued)

**OTHER PUBLICATIONS**

3rd Party Lab Notebook, "Facet Cartilage Repair," dated May 20, 2003 in 2 pages.

(Continued)

*Primary Examiner* — Susan Bennett Hattan

*Assistant Examiner* — Charles Hanson

(74) *Attorney, Agent, or Firm* — Knobbe, Martens, Olson & Bear, LLP

(57) **CLAIM**

The ornamental design for an interbody bone implant, as shown and described.

**DESCRIPTION**

FIG. 1 is a front perspective view of an interbody bone implant according to an embodiment;

FIG. 2 is a top view of the interbody bone implant illustrated in FIG. 1;

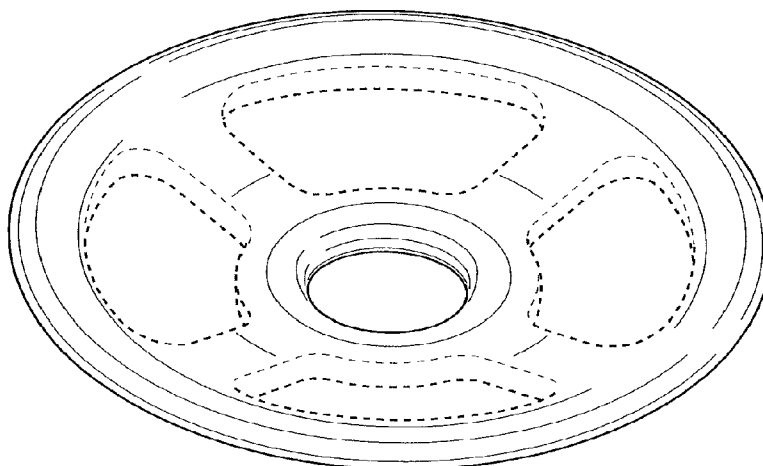
FIG. 3 is a bottom view of the inter body bone implant illustrated in FIG. 1;

FIG. 4 is a side view of the interbody bone implant illustrated in FIG. 1; and,

FIG. 5 is a cross-sectional view of the interbody bone implant taken along line 25-25 in FIG. 2.

The broken-jagged lines which define the boundary of the claimed design do not form part of the claimed design. The broken lines are for environmental purposes only and form no part of the claimed design.

**1 Claim, 2 Drawing Sheets**



(56)

References Cited

U.S. PATENT DOCUMENTS

2,486,303 A	10/1949	Longfellow	5,527,314 A	6/1996	Brumfield et al.
3,111,945 A	11/1963	Von Solbrig	5,534,028 A	7/1996	Bao et al.
3,867,728 A	2/1975	Stubstad et al.	5,534,030 A	7/1996	Navarro et al.
3,875,595 A	4/1975	Froning	5,545,229 A	8/1996	Parsons et al.
3,879,767 A	4/1975	Stubstad	5,549,619 A	8/1996	Peters et al.
4,001,896 A	1/1977	Arkangel	5,556,431 A	9/1996	Buttner-Janz
4,037,603 A	7/1977	Wendorff	5,562,738 A	10/1996	Boyd et al.
4,085,466 A	4/1978	Goodfellow et al.	5,571,131 A	11/1996	Ek et al.
4,119,091 A	10/1978	Partridge	5,571,189 A	11/1996	Kuslich
4,156,296 A	5/1979	Johnson et al.	5,571,191 A	11/1996	Fitz
4,231,121 A	11/1980	Lewis	5,577,995 A	11/1996	Walker et al.
D261,935 S	11/1981	Halloran	5,586,989 A	12/1996	Bray, Jr.
4,312,337 A	1/1982	Donohue	5,591,165 A	1/1997	Jackson
4,349,921 A	9/1982	Kuntz	5,603,713 A	2/1997	Aust et al.
4,502,161 A	3/1985	Wall	5,638,700 A	6/1997	Shechter
D279,502 S	7/1985	Halloran	5,645,597 A	7/1997	Krapiva
D279,503 S	7/1985	Halloran	5,645,599 A	7/1997	Samani
4,535,764 A	8/1985	Ebert	5,649,947 A	7/1997	Auerbach et al.
4,634,445 A	1/1987	Helal	5,653,762 A	8/1997	Pisharodi
4,662,371 A	5/1987	Whipple et al.	5,674,295 A	10/1997	Ray et al.
4,714,469 A	12/1987	Kenna	5,674,296 A	10/1997	Bryan et al.
4,722,331 A	2/1988	Fox	5,676,701 A	10/1997	Yuan et al.
4,730,615 A	3/1988	Sutherland et al.	5,683,464 A	11/1997	Wagner et al.
4,759,766 A	7/1988	Buettner-Janz et al.	5,683,466 A	11/1997	Vitale
4,759,769 A	7/1988	Hedman et al.	5,700,265 A	12/1997	Romano
4,772,287 A	9/1988	Ray et al.	5,702,450 A	12/1997	Bisserie
4,773,402 A	9/1988	Asher et al.	5,707,373 A	1/1998	Sevrain et al.
4,834,757 A	5/1989	Brantigan	5,716,415 A	2/1998	Steffee
4,863,477 A	9/1989	Monson	5,725,582 A	3/1998	Bevan et al.
4,904,260 A	2/1990	Ray et al.	5,741,260 A	4/1998	Songer et al.
4,907,577 A	3/1990	Wu	5,741,261 A	4/1998	Moskovitz et al.
4,911,718 A	3/1990	Lee et al.	5,766,251 A	6/1998	Koshino
4,919,667 A	4/1990	Richmond	5,766,253 A	6/1998	Brosnahan
4,936,848 A	6/1990	Bagby	5,772,663 A	6/1998	Whiteside et al.
4,941,466 A	7/1990	Romano	5,797,916 A	8/1998	McDowell
4,969,909 A	11/1990	Barouk	5,824,093 A	10/1998	Ray et al.
5,000,165 A	3/1991	Watanabe	5,824,094 A	10/1998	Serhan et al.
5,002,546 A	3/1991	Romano	5,836,948 A	11/1998	Zucherman et al.
5,011,484 A	4/1991	Bréard	5,860,977 A	1/1999	Zucherman et al.
5,015,255 A	5/1991	Kuslich	5,865,846 A	2/1999	Bryan et al.
5,047,055 A	9/1991	Bao et al.	5,868,745 A	2/1999	Alleyne
5,062,845 A	11/1991	Kuslich	5,876,404 A	3/1999	Zucherman et al.
5,071,437 A	12/1991	Steffee	5,879,396 A	3/1999	Walston et al.
5,092,866 A	3/1992	Breard et al.	5,888,203 A	3/1999	Goldberg
5,112,346 A	5/1992	Hiltebrandt et al.	5,893,889 A	4/1999	Harrington
5,127,912 A	7/1992	Ray et al.	5,895,428 A	4/1999	Berry
5,147,404 A	9/1992	Downey	RE36,221 E	6/1999	Breard et al.
5,171,280 A	12/1992	Baumgartner	5,951,555 A	9/1999	Rehak et al.
5,192,326 A	3/1993	Bao et al.	5,997,542 A	12/1999	Burke
5,209,755 A	5/1993	Abrahan et al.	6,001,130 A	12/1999	Bryan et al.
5,258,031 A	11/1993	Salib et al.	6,014,588 A	1/2000	Fitz
5,300,073 A	4/1994	Ray et al.	6,019,763 A *	2/2000	Nakamura ..... A61B 17/866 523/105
5,306,275 A	4/1994	Bryan	6,019,792 A	2/2000	Cauthen
5,306,308 A	4/1994	Gross et al.	6,039,763 A	3/2000	Shelokov
5,306,309 A	4/1994	Wagner et al.	6,048,342 A	4/2000	Zucherman et al.
5,330,479 A	7/1994	Whitmore	6,050,998 A	4/2000	Fletcher
5,360,431 A	11/1994	Pumo et al.	6,063,121 A	5/2000	Xavier et al.
5,368,596 A	11/1994	Burkhart	6,066,325 A	5/2000	Wallace et al.
5,370,697 A	12/1994	Baumgartner	6,068,630 A	5/2000	Zucherman et al.
5,400,784 A	3/1995	Durand et al.	RE36,758 E	6/2000	Fitz
5,401,269 A	3/1995	Buttner-Janz et al.	6,080,157 A	6/2000	Cathro et al.
5,413,576 A	5/1995	Rivard	6,099,531 A	8/2000	Bonutti
5,415,661 A	5/1995	Holmes	6,106,558 A	8/2000	Picha
5,425,773 A	6/1995	Boyd et al.	6,113,637 A	9/2000	Gill et al.
5,437,672 A	8/1995	Alleyne	6,132,464 A	10/2000	Martin
5,445,639 A	8/1995	Kuslich et al.	6,132,465 A	10/2000	Ray et al.
5,458,642 A	10/1995	Beer et al.	6,146,422 A	11/2000	Lawson
5,458,643 A	10/1995	Oka et al.	6,156,067 A	12/2000	Bryan et al.
5,462,542 A	10/1995	Alesi, Jr.	6,179,839 B1 *	1/2001	Weiss ..... A61B 17/1659 606/280
5,487,756 A	1/1996	Kallesoe et al.	D439,340 S *	3/2001	Michelson ..... D24/155
5,491,882 A	2/1996	Walston et al.	6,200,322 B1	3/2001	Branch et al.
5,496,318 A	3/1996	Howland et al.	6,293,949 B1	9/2001	Justis et al.
5,507,823 A	4/1996	Walston et al.	D450,122 S *	11/2001	Michelson ..... D24/155
5,514,180 A	5/1996	Heggeness et al.	D454,953 S *	3/2002	Michelson ..... D24/155
5,527,312 A	6/1996	Ray	6,368,325 B1	4/2002	McKinley et al.
			6,368,350 B1	4/2002	Erickson et al.

(56)

## References Cited

## U.S. PATENT DOCUMENTS

6,371,958 B1 *	4/2002	Overaker .....	A61B 17/0642 606/151	2002/0018799 A1	2/2002	Spector et al.
6,375,573 B2	4/2002	Romano		2002/0019637 A1	2/2002	Frey et al.
6,379,386 B1	4/2002	Resch et al.		2002/0029039 A1	3/2002	Zucherman et al.
D460,188 S *	7/2002	Michelson .....	D24/155	2002/0040227 A1	4/2002	Harari
D460,189 S *	7/2002	Michelson .....	D24/155	2002/0065557 A1	5/2002	Goble et al.
6,419,678 B1	7/2002	Asfora		2002/0072800 A1	6/2002	Goble et al.
6,419,703 B1	7/2002	Fallin et al.		2002/0077700 A1	6/2002	Varga et al.
6,436,101 B1	8/2002	Hamada et al.		2002/0086047 A1	7/2002	Mueller et al.
D463,560 S *	9/2002	Michelson .....	D24/155	2002/0120335 A1	8/2002	Angelucci et al.
6,470,207 B1	10/2002	Simon et al.		2002/0123806 A1	9/2002	Reiley
6,565,605 B2	5/2003	Goble et al.		2002/0151895 A1	10/2002	Soboleski et al.
6,572,617 B1	6/2003	Senegas		2002/0173800 A1	11/2002	Dreyfuss et al.
6,579,318 B2	6/2003	Varga et al.		2002/0173813 A1	11/2002	Peterson et al.
6,579,319 B2	6/2003	Goble et al.		2002/0198527 A1	12/2002	Muckter
6,589,244 B1	7/2003	Sevrain et al.		2003/0004572 A1	1/2003	Goble et al.
6,600,956 B2	7/2003	Maschino et al.		2003/0028250 A1	2/2003	Reiley et al.
6,607,530 B1	8/2003	Carl et al.		2003/0040797 A1	2/2003	Fallin et al.
6,610,091 B1	8/2003	Reiley		2003/0187454 A1	10/2003	Gill et al.
D479,331 S	9/2003	Pike et al.		2003/0191532 A1	10/2003	Goble et al.
6,626,944 B1	9/2003	Taylor		2003/0204259 A1	10/2003	Goble et al.
6,669,697 B1	12/2003	Pisharodi		2003/0216669 A1	11/2003	Lang et al.
6,669,729 B2	12/2003	Chin		2003/0233146 A1	12/2003	Grinberg et al.
6,706,068 B2	3/2004	Ferree		2004/0006391 A1	1/2004	Reiley
6,743,232 B2 *	6/2004	Overaker .....	A61F 2/30756 606/327	2004/0010318 A1	1/2004	Ferree
6,761,720 B1	7/2004	Senegas		2004/0024462 A1	2/2004	Ferree et al.
6,764,491 B2	7/2004	Frey et al.		2004/0049271 A1	3/2004	Biedermann et al.
6,770,095 B2	8/2004	Grinberg et al.		2004/0049272 A1	3/2004	Reiley
6,783,527 B2	8/2004	Drewry et al.		2004/0049273 A1	3/2004	Reiley
6,790,210 B1	9/2004	Cragg et al.		2004/0049274 A1	3/2004	Reiley
6,811,567 B2	11/2004	Reiley		2004/0049275 A1	3/2004	Reiley
6,902,566 B2	6/2005	Zucherman et al.		2004/0049276 A1	3/2004	Reiley
6,908,484 B2	6/2005	Zubok et al.		2004/0049277 A1	3/2004	Reiley
6,966,930 B2	11/2005	Arnin et al.		2004/0049278 A1	3/2004	Reiley
6,974,478 B2	12/2005	Reiley et al.		2004/0049281 A1	3/2004	Reiley
6,974,479 B2	12/2005	Trieu		2004/0059429 A1	3/2004	Amin et al.
D517,404 S *	3/2006	Schluter .....	D8/387	2004/0087954 A1	5/2004	Allen et al.
7,008,429 B2	3/2006	Golobek		2004/0116927 A1	6/2004	Graf
7,013,675 B2	3/2006	Marquez-Pickering		2004/0127989 A1	7/2004	Dooris et al.
7,051,451 B2	5/2006	Augostino et al.		2004/0143264 A1	7/2004	McAfee
7,074,238 B2	7/2006	Stinson et al.		2004/0176844 A1	9/2004	Zubok et al.
7,101,375 B2	9/2006	Zucherman et al.		2004/0215341 A1	10/2004	Sybert et al.
7,223,269 B2	5/2007	Chappuis		2004/0230201 A1	11/2004	Yuan et al.
D565,180 S *	3/2008	Liao .....	D24/155	2004/0230304 A1	11/2004	Yuan et al.
7,371,238 B2	5/2008	Soboleski et al.		2005/0010291 A1	1/2005	Stinson et al.
7,458,981 B2	12/2008	Fielding et al.		2005/0015146 A1	1/2005	Louis et al.
7,517,358 B2	4/2009	Petersen		2005/0043797 A1	2/2005	Lee
7,537,611 B2	5/2009	Lee		2005/0043799 A1	2/2005	Reiley
7,559,940 B2	7/2009	McGuire et al.		2005/0049705 A1	3/2005	Hale et al.
7,563,286 B2	7/2009	Gerber et al.		2005/0055096 A1	3/2005	Serhan et al.
7,608,104 B2	10/2009	Yuan et al.		2005/0059972 A1	3/2005	Biscup
7,695,472 B2	4/2010	Young		2005/0131409 A1	6/2005	Chervitz et al.
7,799,077 B2	9/2010	Lang et al.		2005/0131538 A1	6/2005	Chervitz et al.
7,806,895 B2	10/2010	Weier et al.		2005/0143818 A1	6/2005	Yuan et al.
7,846,183 B2	12/2010	Blain		2005/0159746 A1	7/2005	Grob et al.
7,862,590 B2	1/2011	Lim et al.		2005/0197700 A1	9/2005	Boehm et al.
7,935,136 B2	5/2011	Alamin et al.		2005/0251256 A1	11/2005	Reiley
D643,121 S	8/2011	Milford et al.		2005/0256494 A1	11/2005	Datta
7,993,370 B2	8/2011	Jahng		2006/0004367 A1	1/2006	Alamin et al.
7,998,172 B2	8/2011	Blain		2006/0036323 A1	2/2006	Carl et al.
8,052,728 B2	11/2011	Hestad		2006/0041311 A1	2/2006	McLeer
8,109,971 B2	2/2012	Hale		2006/0084985 A1	4/2006	Kim
8,163,016 B2	4/2012	Linares		2006/0085072 A1	4/2006	Funk et al.
8,192,468 B2	6/2012	Biedermann et al.		2006/0111782 A1	5/2006	Petersen
8,216,275 B2	7/2012	Fielding et al.		2006/0149375 A1	7/2006	Yuan et al.
8,246,655 B2	8/2012	Jackson et al.		2006/0200137 A1	9/2006	Soboleski et al.
8,394,125 B2	3/2013	Assell		2006/0241601 A1	10/2006	Trautwein et al.
8,652,137 B2	2/2014	Blain et al.		2006/0241758 A1	10/2006	Peterman et al.
8,740,942 B2	6/2014	Blain		2006/0293691 A1	12/2006	Mitra et al.
8,740,949 B2	6/2014	Blain		2007/0055236 A1	3/2007	Hudgins et al.
8,858,597 B2	10/2014	Blain		2007/0078464 A1	4/2007	Jones et al.
8,882,804 B2	11/2014	Blain		2007/0118218 A1	5/2007	Hooper
D724,733 S *	3/2015	Blain .....	D24/155	2007/0149976 A1	6/2007	Hale et al.
2001/0018614 A1	8/2001	Bianchi		2007/0179619 A1	8/2007	Grab
				2007/0250166 A1	10/2007	McKay
				2007/0270812 A1	11/2007	Peckham
				2008/0183211 A1	7/2008	Lamborne et al.
				2008/0228225 A1	9/2008	Trautwein et al.
				2008/0287996 A1	11/2008	Soboleski et al.
				2009/0005818 A1	1/2009	Chin et al.

(56)

## References Cited

## U.S. PATENT DOCUMENTS

2009/0018662	A1	1/2009	Pasquet et al.
2009/0024166	A1	1/2009	Carl et al.
2009/0076617	A1	3/2009	Ralph et al.
2009/0125066	A1	5/2009	Kraus et al.
2009/0138048	A1	5/2009	Baccelli et al.
2009/0264928	A1	10/2009	Blain
2009/0264929	A1	10/2009	Alamin et al.
2009/0270918	A1	10/2009	Attia et al.
2010/0234894	A1	9/2010	Alamin et al.
2010/0274289	A1	10/2010	Carls et al.
2010/0318133	A1	12/2010	Tornier
2011/0040301	A1	2/2011	Blain et al.
2011/0098816	A1	4/2011	Jacob et al.
2011/0313456	A1	12/2011	Blain
2012/0035658	A1	2/2012	Goble et al.
2012/0101502	A1	4/2012	Kartalian et al.
2012/0150231	A1	6/2012	Alamin et al.
2012/0221048	A1	8/2012	Blain
2012/0221049	A1	8/2012	Blain
2012/0221060	A1	8/2012	Blain
2012/0271354	A1	10/2012	Baccelli et al.
2012/0310244	A1	12/2012	Blain et al.
2014/0228883	A1	8/2014	Blain
2014/0257397	A1	9/2014	Akbarnia et al.
2014/0277142	A1	9/2014	Blain
2014/0277148	A1	9/2014	Blain

## FOREIGN PATENT DOCUMENTS

DE	201 12 123	9/2001
DE	101 35 771	2/2003
EP	0 322 334	6/1989
EP	0 392 124	10/1990
EP	0 610 837	8/1994
EP	1 201 202	5/2002
EP	1 201 256	5/2002
FR	2 722 980	2/1996
GB	2 366 736	3/2002
JP	10-179622	7/1998
JP	2007-503884	3/2007
MX	6012309	1/2007
WO	WO 93/14721	8/1993
WO	WO 94/04088	3/1994
WO	WO 98/48717	11/1998
WO	WO 99/23963	5/1999
WO	WO 00/38582	7/2000
WO	WO 00/53126	9/2000
WO	WO 01/30248	5/2001
WO	WO 02/65954	8/2002
WO	WO 02/96300	12/2002
WO	WO 03/101350	12/2003
WO	WO 2004/071358	8/2004
WO	WO 2005/020850	3/2005
WO	WO 2005/072661	8/2005
WO	WO 2012/024162	2/2012
WO	WO 2012/116266	8/2012

## OTHER PUBLICATIONS

ArthroTek, "CurvTek® Bone Tunneling System," Surgical Technique, 2000, pp. 6.

E-mail from 3rd Party citing Provisional Application Nos. 60/721,909; 60/750,005 and 60/749,000, initial e-mail dated May 11, 2009, reply e-mail dated May 18, 2009.

King et al., "Mechanism of Spinal Injury Due to Caudocephalad Acceleration," Symposium on the Lumbar Spine, Orthopedic Clinic of North America, Jan. 1975, vol. 6, pp. 19-31.

Parteq Innovations, "Facet Joint Implants & Resurfacing Devices," Technology Opportunity Bulletin, Tech ID 1999-012, Queen's University, Ontario Canada.

Official Communication in Australian Application No. 2005213459, dated Dec. 11, 2009.

Official Communication in Australian Application No. 2005213459, dated Dec. 15, 2010.

Official Communication in Australian Application No. 2011226832, dated Sep. 4, 2012.

Official Communication in Australian Application No. 2011226832, dated Oct. 31, 2012.

Official Communication in Australian Application No. AU2013237744, dated Sep. 2, 2014.

Official Communication in Canadian Application No. 2,555,355, dated Sep. 2, 2011.

Official Communication in Canadian Application No. 2,803,783, dated Sep. 29, 2014.

Official Communication in European Application No. 05712981.9, dated Jul. 24, 2007.

Official Communication in European Application No. 05712981.9, dated Mar. 10, 2008.

Official Communication in European Application No. 05712981.9, dated Apr. 6, 2009.

Official Communication in European Application No. 05712981.9, dated Jun. 15, 2010.

Official Communication in European Application No. 10178979.0, dated Mar. 14, 2011.

Official Communication in European Application No. 10178979.0, dated Nov. 13, 2012.

Official Communication in European Application No. 10178979.0, dated Aug. 5, 2013.

Official Communication in European Application No. 14175088.5, dated Sep. 8, 2014.

Official Communication in Japanese Application No. 2006-552309, dated May 25, 2010.

Official Communication in Japanese Application No. 2006-552309, dated Feb. 15, 2011.

Official Communication in Japanese Application No. 2010-221380, dated Feb. 15, 2011.

Official Communication in Japanese Application No. 2012-272106, dated Dec. 3, 2013.

Official Communication in Japanese Application No. 2012-272106, dated May 26, 2014.

Official Communication in Japanese Application No. 2012-272106, dated Feb. 23, 2015.

International Search Report and Written Opinion in International Application No. PCT/US2005/003753, dated Dec. 5, 2006.

International Preliminary Report and Written Opinion in International App No. PCT/US2005/003753, dated Jan. 9, 2007.

Official Communication in European Application No. 08730413.5, dated Feb. 16, 2012.

Official Communication in European Application No. 14177951.2, dated Nov. 13, 2014.

International Search Report and Written Opinion in International Application No. PCT/US2008/054607, dated Jul. 10, 2008.

International Preliminary Report on Patentability in International Application No. PCT/US2008/054607, dated Sep. 3, 2009.

Official Communication in Australian Application No. 2011292297, dated Jul. 10, 2013.

Official Communication in European Application No. 11818586.7, dated Nov. 6, 2014.

International Search Report and Written Opinion in International Application No. PCT/US2011/047432, dated Dec. 12, 2011.

International Preliminary Report on Patentability in International Application No. PCT/US2011/047432, dated Feb. 28, 2013.

International Search Report in International Application No. PCT/US2012/026470, dated May 30, 2012.

International Preliminary Report on Patentability and Written Opinion in International Application No. PCT/US2012/026470, dated Sep. 6, 2013.

International Search Report and Written Opinion in International Application No. PCT/US2012/026472, dated Jun. 20, 2012.

International Preliminary Report on Patentability and Written Opinion in International Application No. PCT/US2012/026472, dated Mar. 12, 2014.

International Search Report and Written Opinion in International Application No. PCT/US2014/019325, dated Jun. 17, 2014.

International Search Report and Written Opinion in International Application No. PCT/US2014/056598, dated Dec. 29, 2014.

(56)

**References Cited**

OTHER PUBLICATIONS

Official Communication in Japanese Application No. 2009-074336, dated Feb. 15, 2011.

International Search Report in International Application No. PCT/CA2002/000193 filed Feb. 15, 2002, dated Jun. 18, 2002.

International Search Report and Written Opinion in International Application No. PCT/US2004/028094, dated May 16, 2005.

International Preliminary Report on Patentability in International Application No. PCT/US2004/028094, dated Feb. 25, 2013.

International Search Report in International Application No. PCT/US2005/000987 filed Jan. 13, 2005, dated May 24, 2005.

International Preliminary Report on Patentability in International Application No. PCT/US2005/000987 filed Jan. 13, 2005, dated Jan. 17, 2006.

\* cited by examiner

FIG. 1

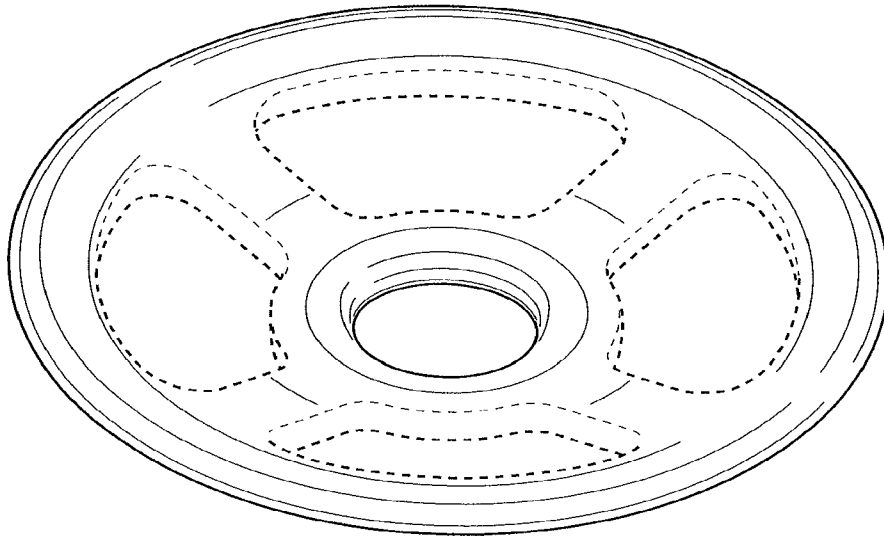


FIG. 2

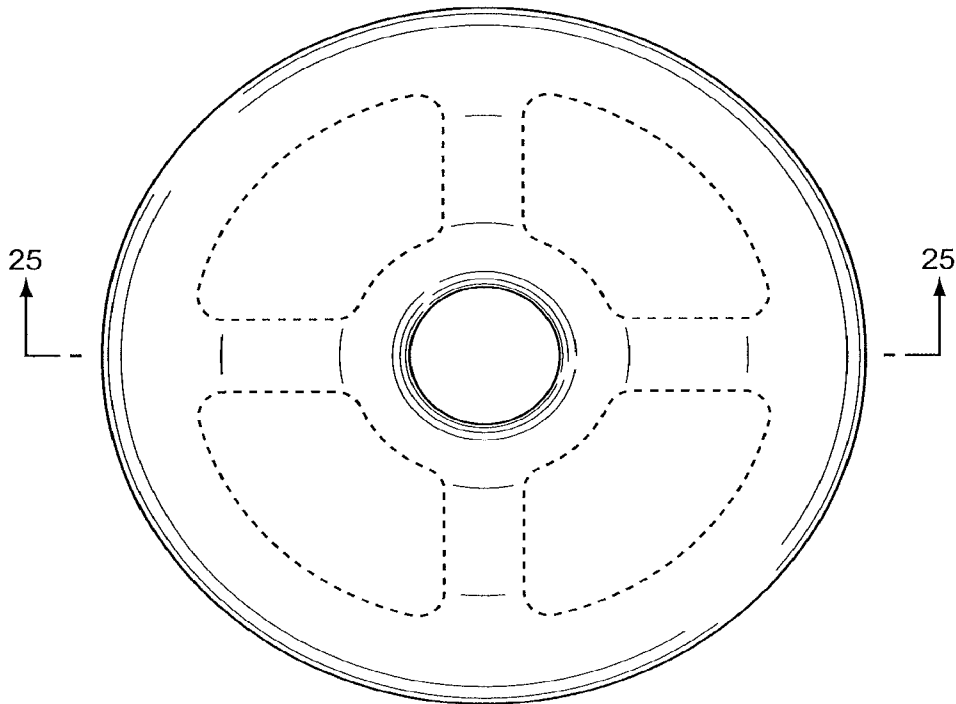


FIG. 3

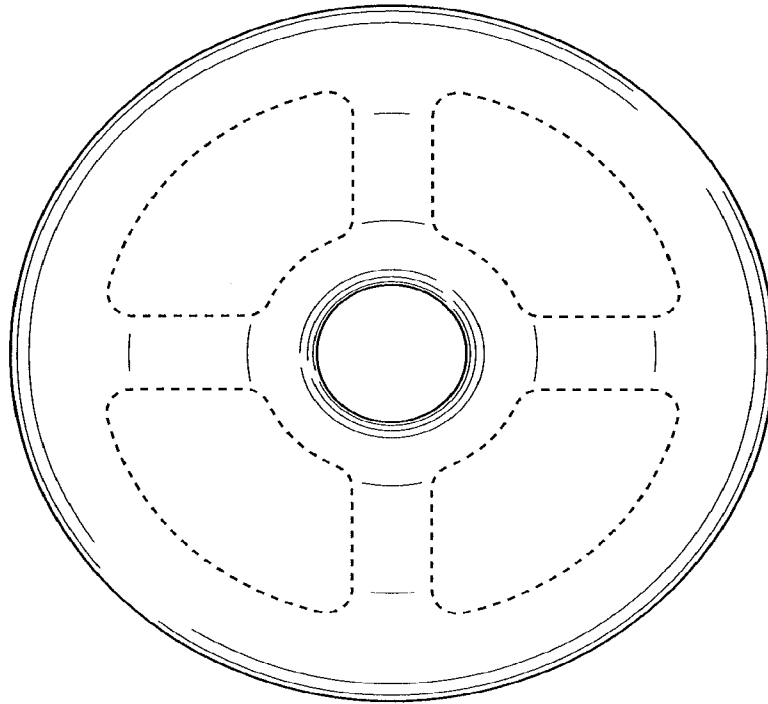


FIG. 4

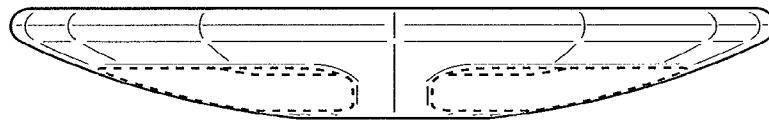


FIG. 5

