



US00D585675S

(12) **United States Design Patent**
Zhang

(10) **Patent No.:** **US D585,675 S**

(45) **Date of Patent:** **** Feb. 3, 2009**

(54) **CURVED HEADREST FRAME**

(75) Inventor: **Wei Qiang Zhang**, FoShan (CN)

(73) Assignee: **IGO Furniture (Foshan) Ltd.** (CN)

(**) Term: **14 Years**

(21) Appl. No.: **29/318,652**

(22) Filed: **May 23, 2008**

(30) **Foreign Application Priority Data**

Jan. 25, 2008 (CN) 2008 3 0040777

(51) **LOC (9) Cl.** **06-06**

(52) **U.S. Cl.** **D6/501**

(58) **Field of Classification Search** D6/50-503;
248/118; 297/220, 229, 391, 394, 396, 397,
297/410, 452.29; 5/630, 653
See application file for complete search history.

(56) **References Cited**

U.S. PATENT DOCUMENTS

3,498,670	A *	3/1970	Finch et al.	297/396
D259,689	S *	6/1981	Handel	D6/502
D307,526	S *	5/1990	McIntyre et al.	D6/601
D353,964	S *	1/1995	Phleps et al.	D6/502
D357,834	S *	5/1995	Nordstrom et al.	D6/501
D401,455	S *	11/1998	Pate	D6/501
6,755,472	B2 *	6/2004	Stenzel et al.	297/410
D507,910	S *	8/2005	Bock	D6/501

D552,857	S *	10/2007	Wang	D6/366
D570,745	S *	6/2008	Camasmie	D12/114
D574,644	S *	8/2008	Collings	D6/501

* cited by examiner

Primary Examiner—Caron Veynar

Assistant Examiner—Abraham Bahta

(74) *Attorney, Agent, or Firm*—Mark G. Pannell; Hanes & Schutz, LLC

(57) **CLAIM**

The ornamental design for a curved headrest frame, as shown and described.

DESCRIPTION

FIG. 1 is a perspective view of the curved headrest frame showing my new design;

FIG. 2 is a front view thereof;

FIG. 3 is a top view thereof;

FIG. 4 is a bottom view thereof;

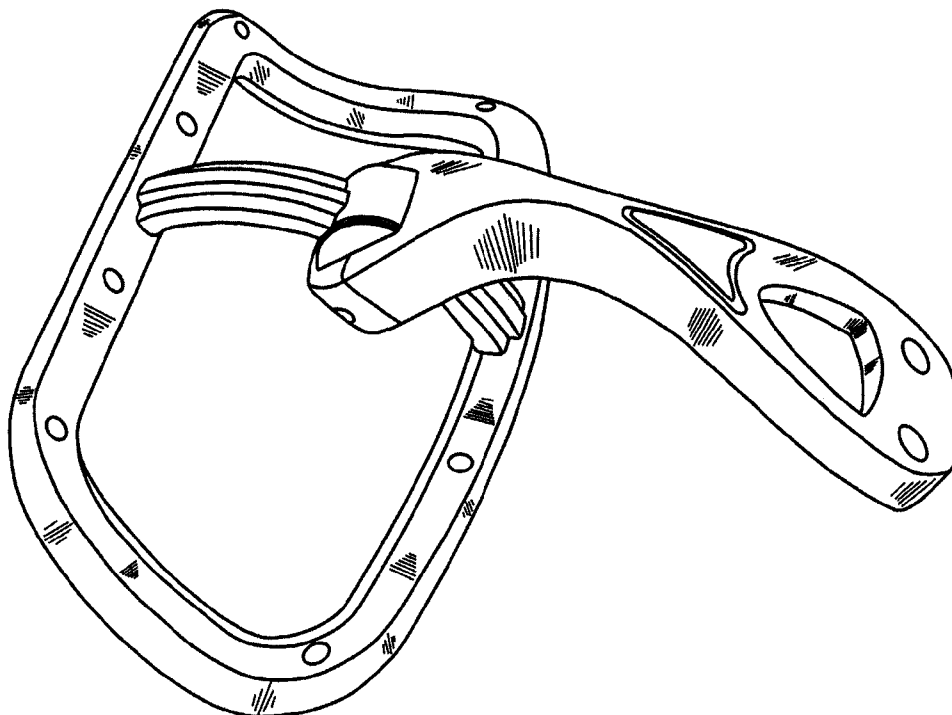
FIG. 5 is a left side view thereof;

FIG. 6 is a right side view thereof; and,

FIG. 7 is an isometric view illustrating the position of the curved headrest frame on a chair.

The broken line showing of a chair is included for the purpose of illustrating the environmental structure and forms no part of the claimed design.

1 Claim, 7 Drawing Sheets



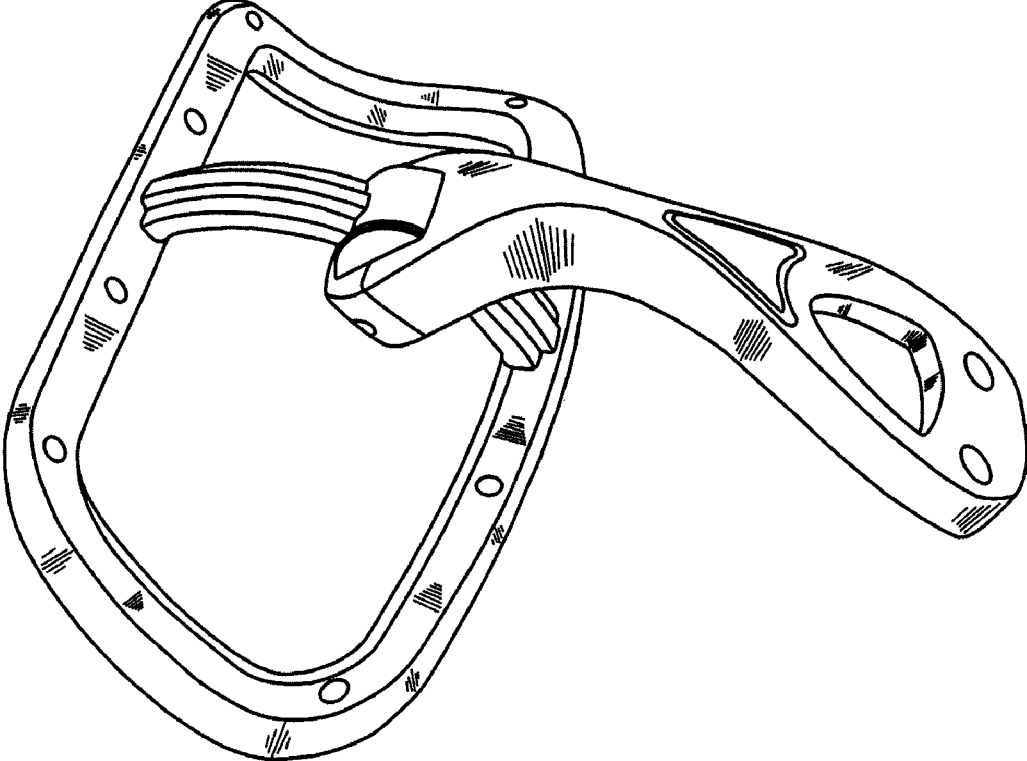


FIG. 1

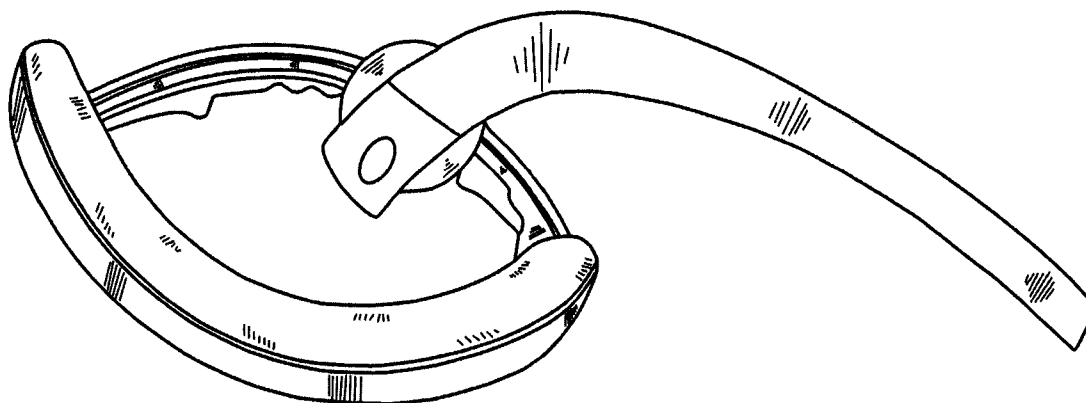


FIG. 2

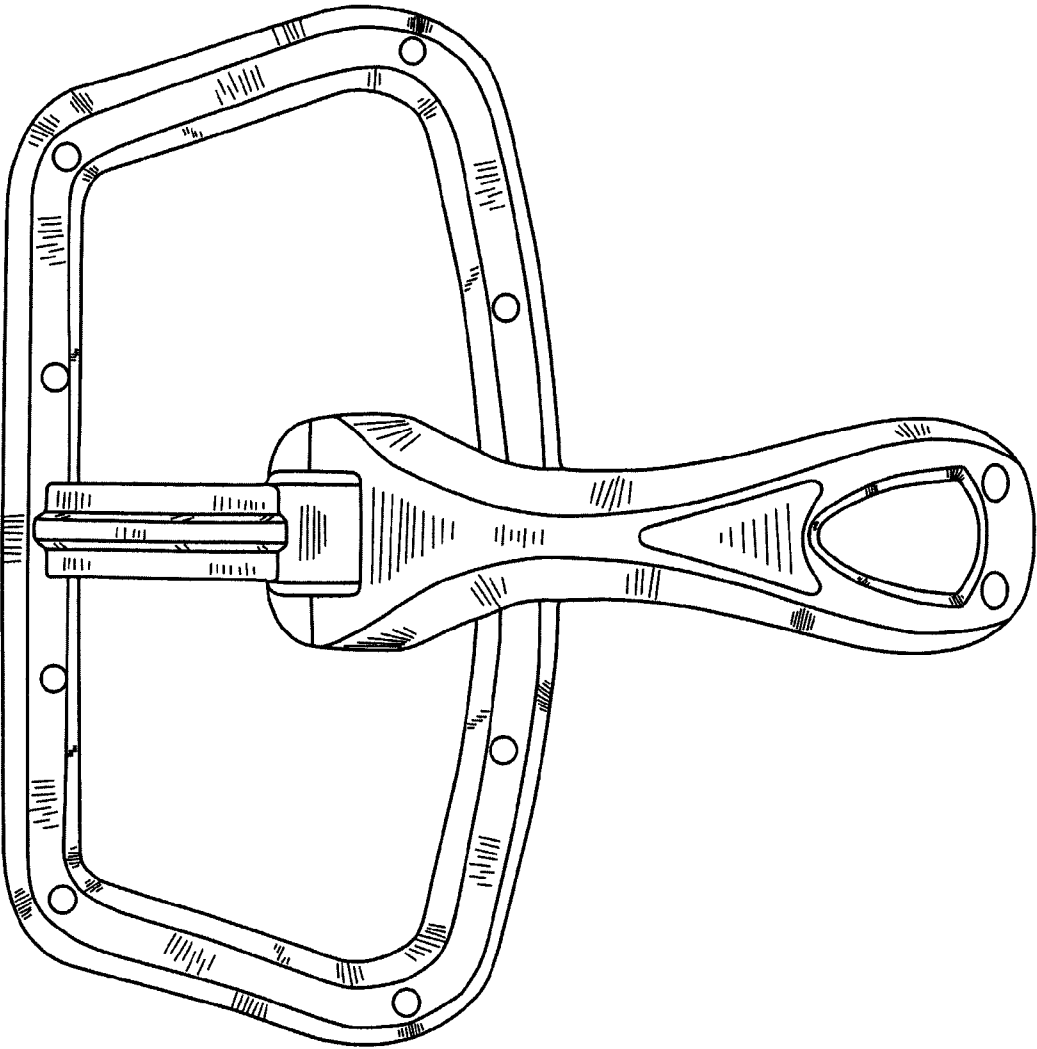


FIG. 3

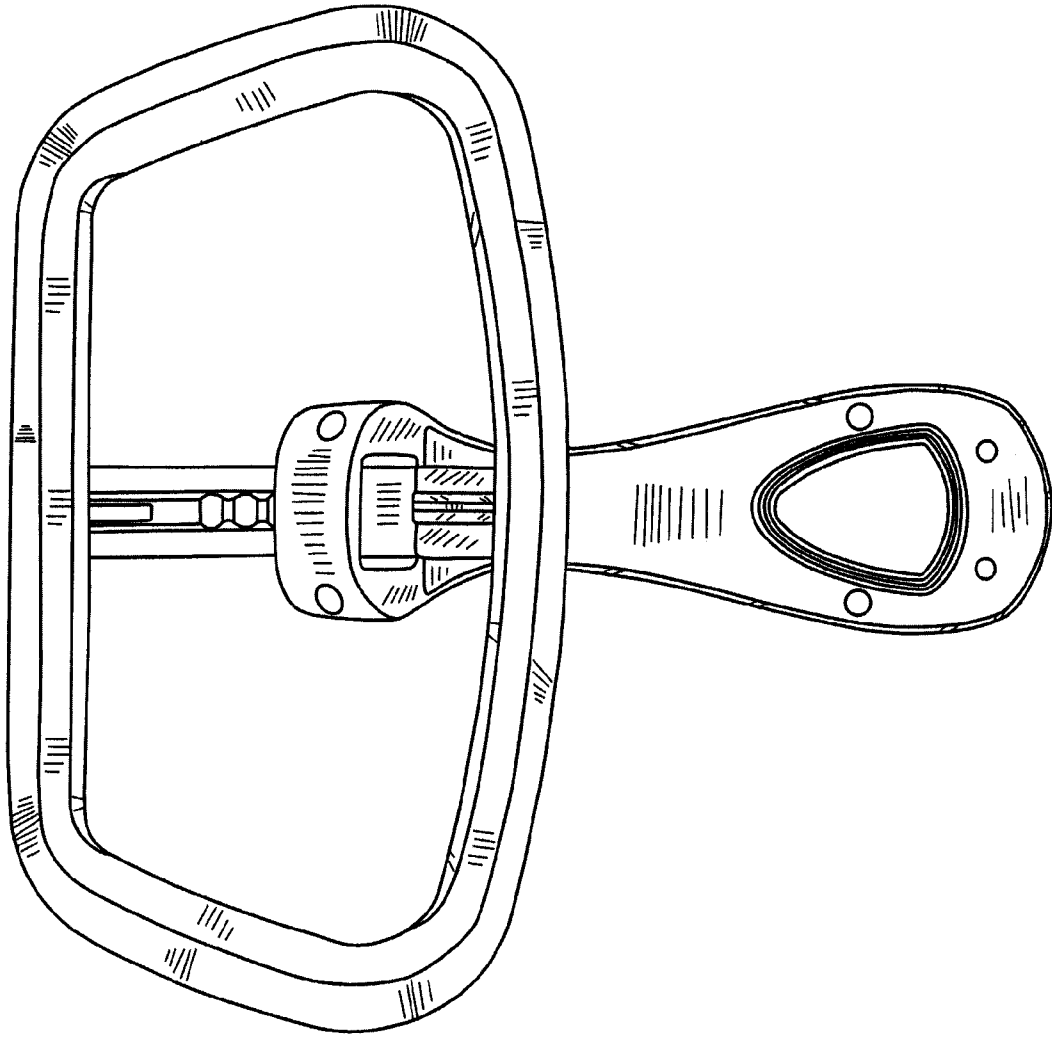


FIG. 4

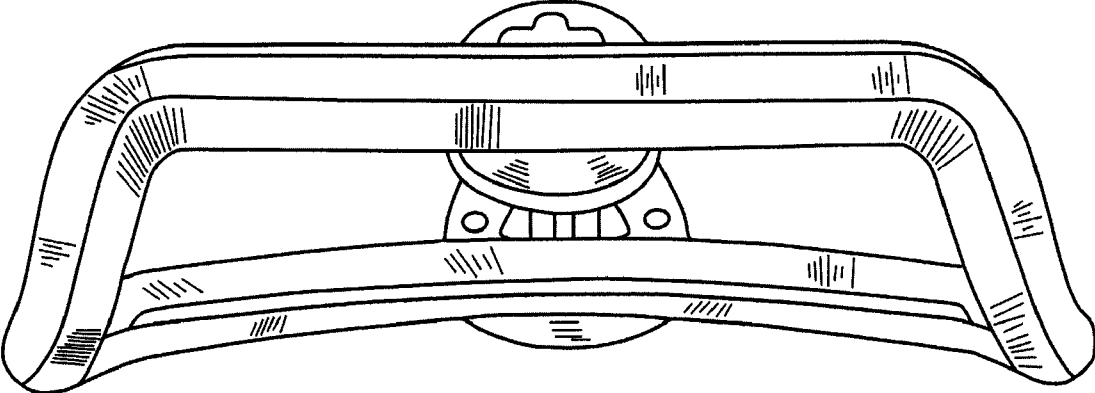


FIG. 5

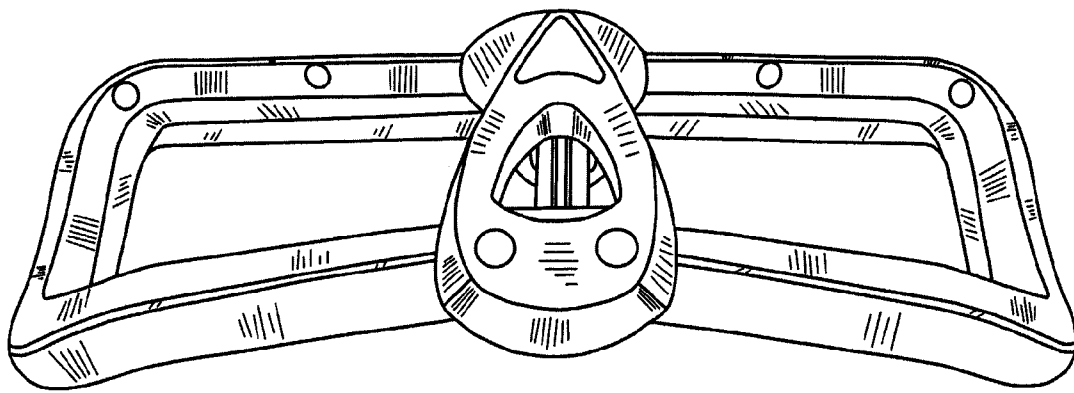


FIG. 6

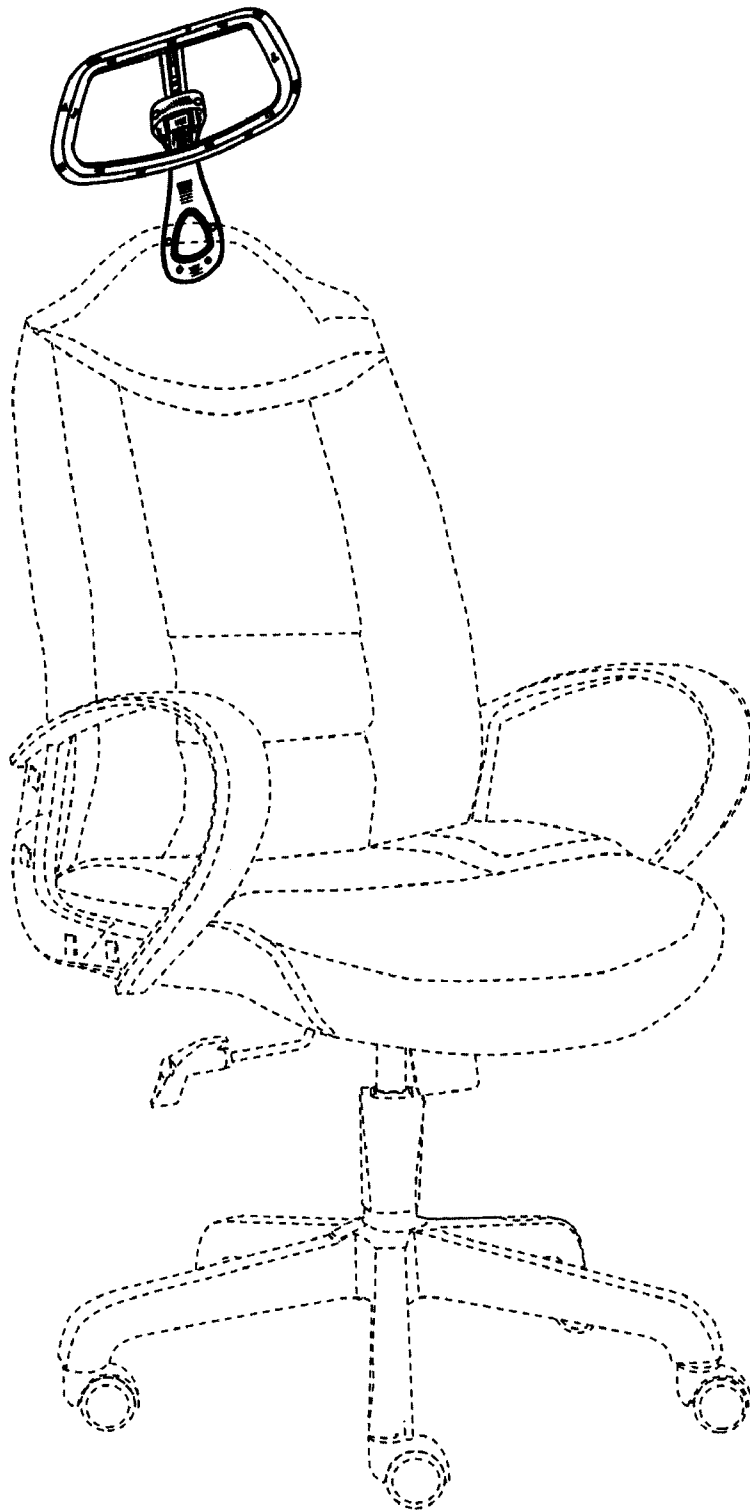


FIG. 7