



US00D720079S

(12) **United States Design Patent**
Oonuma et al.

(10) **Patent No.:** **US D720,079 S**

(45) **Date of Patent:** **** Dec. 23, 2014**

(54) **COVER OF A BIOCHEMICAL ANALYZER**

(56) **References Cited**

(71) Applicant: **Hitachi High-Technologies Corporation**, Tokyo (JP)

U.S. PATENT DOCUMENTS

(72) Inventors: **Mitsuru Oonuma**, Tokyo (JP); **Yoko Sato**, Tokyo (JP); **Takashi Yamamoto**, Tokyo (JP); **Takeshi Setomaru**, Tokyo (JP); **Hideyasu Chiba**, Tokyo (JP)

D339,639	S	*	9/1993	Ohnuma et al.	D24/232
D378,782	S	*	4/1997	LaBarbera et al.	D24/232
D415,840	S	*	10/1999	Lamond et al.	D24/219
D560,131	S	*	1/2008	Hu et al.	D10/81
D621,523	S	*	8/2010	Oonuma et al.	D24/234
2002/0025275	A1	*	2/2002	Oonuma et al.	422/64
2007/0104614	A1	*	5/2007	Wang et al.	422/64

(73) Assignee: **Hitachi High-Technologies Corporation**, Tokyo (JP)

* cited by examiner

(**) Term: **14 Years**

Primary Examiner — Anhdao Doan

(21) Appl. No.: **29/475,892**

(74) *Attorney, Agent, or Firm* — Antonelli, Terry, Stout & Kraus, LLP.

(22) Filed: **Dec. 9, 2013**

(57) **CLAIM**

We claim the ornamental design for a cover of a biochemical analyzer, as shown and described.

(30) **Foreign Application Priority Data**

Sep. 3, 2013 (JP) 2013-020379

DESCRIPTION

(51) **LOC (10) Cl.** **24-01**

FIG. 1 is a front, top and right side perspective view of a cover of a biochemical analyzer showing our new design; FIG. 2 is a front elevational view thereof; FIG. 3 is a rear elevational view thereof; FIG. 4 is a left side elevational view thereof; FIG. 5 is a right side elevational view thereof; FIG. 6 is a top plan view thereof; and, FIG. 7 is a bottom plan view thereof.

(52) **U.S. Cl.**

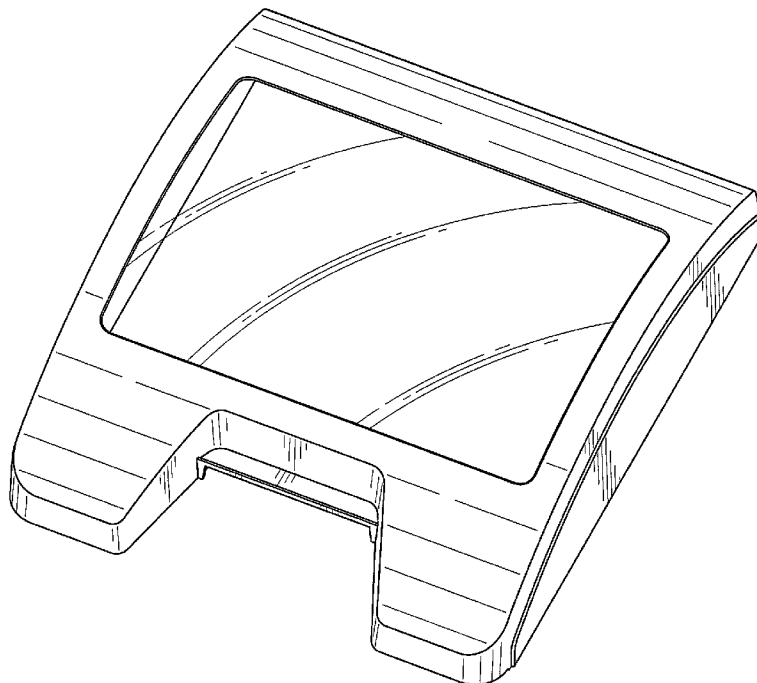
USPC **D24/216; D24/232**

(58) **Field of Classification Search**

USPC D24/216, 223, 231, 232, 233, 186, 107, D24/219; D10/81, 97; 435/286.1, 286.4, 435/286.5, 287.3; 422/63-67, 509; 73/863.01, 863.02, 863.03, 863.31, 73/863.32

See application file for complete search history.

1 Claim, 5 Drawing Sheets



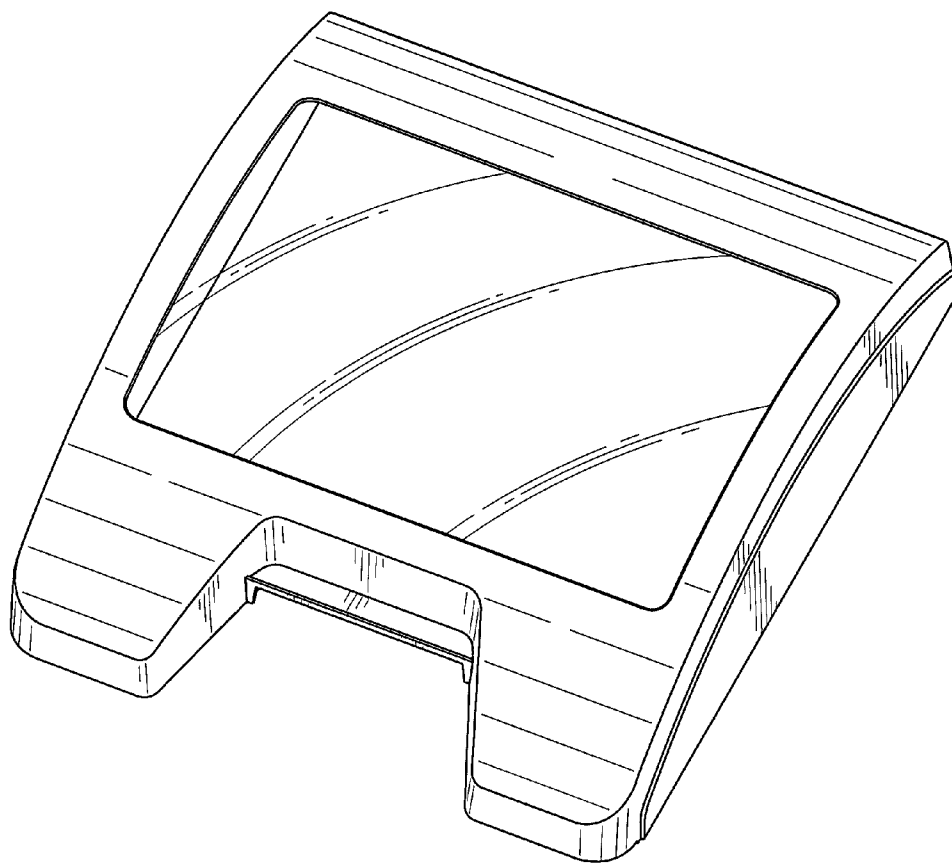


FIG. 1

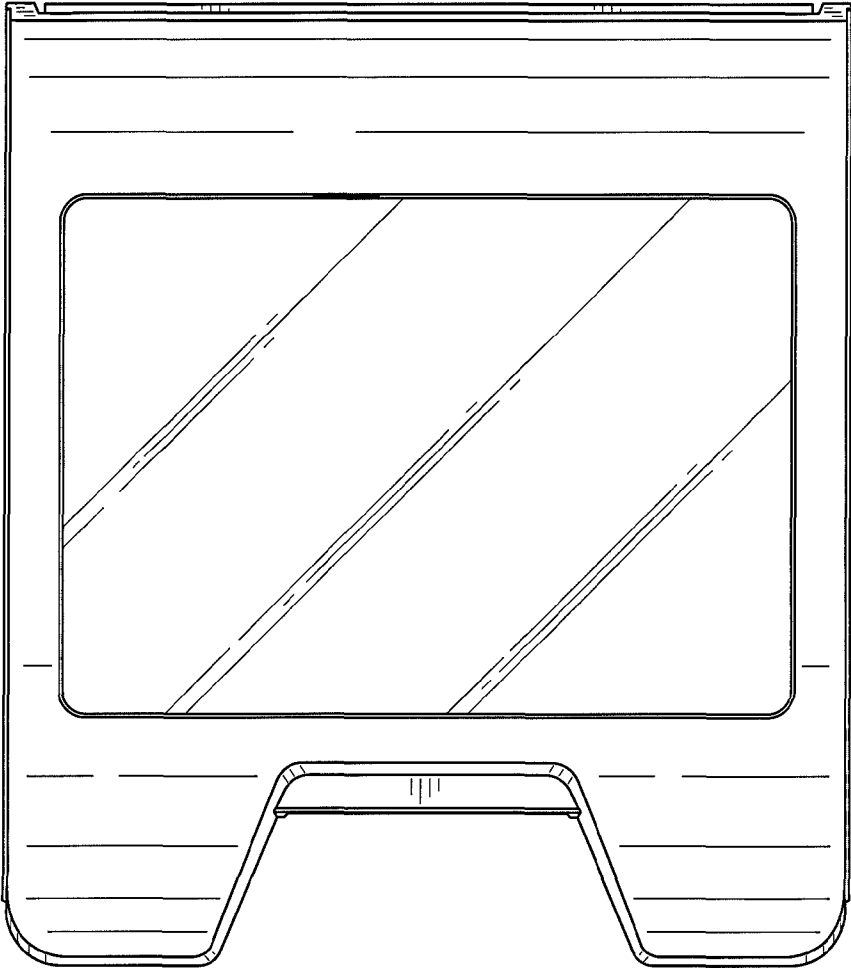


FIG. 2

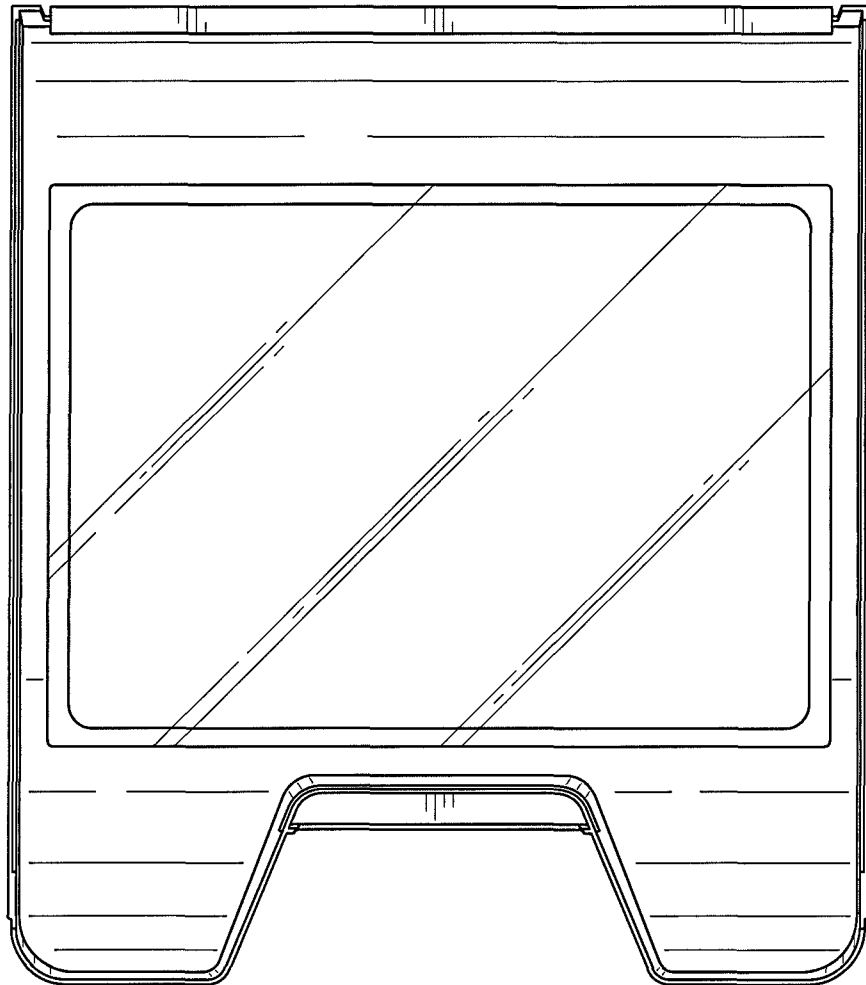


FIG. 3

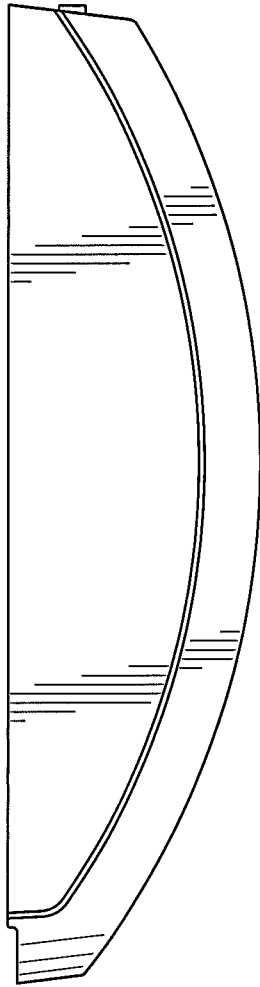


FIG. 4

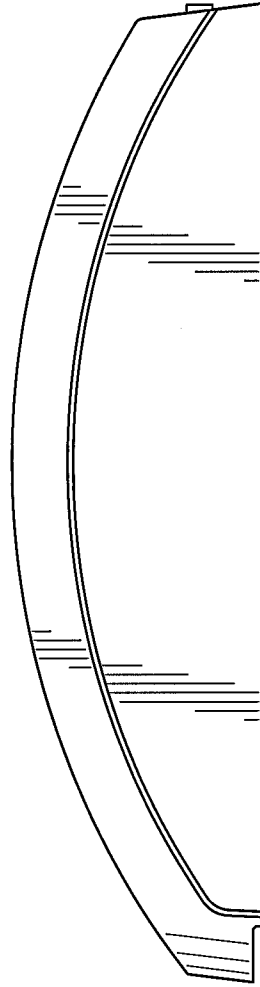


FIG. 5

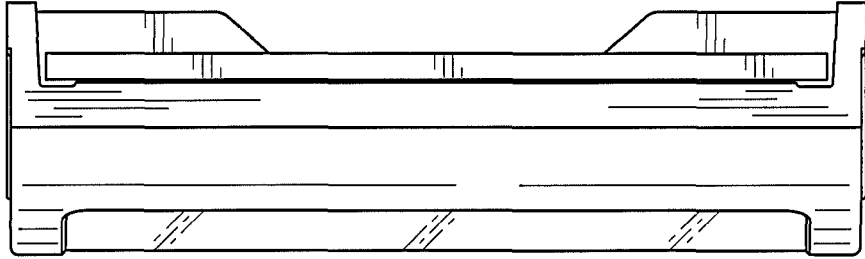


FIG. 6

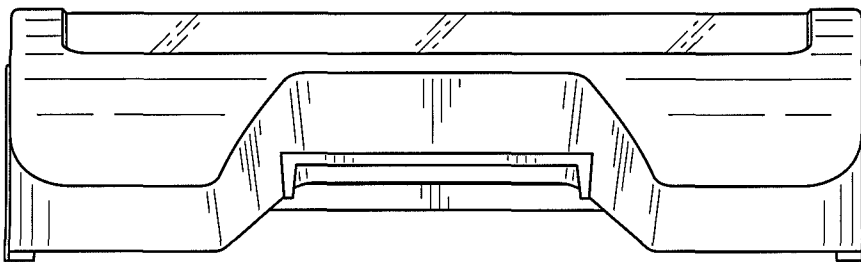


FIG. 7