



US00D748465S

(12) **United States Design Patent**
Gupta

(10) **Patent No.:** **US D748,465 S**

(45) **Date of Patent:** **** Feb. 2, 2016**

(54) **CASE FOR BEADING NEEDLES**

(71) Applicant: **Nikhil Gupta**, Schaumburg, IL (US)

(72) Inventor: **Nikhil Gupta**, Schaumburg, IL (US)

(**) Term: **14 Years**

(21) Appl. No.: **29/445,198**

(22) Filed: **Feb. 8, 2013**

(51) **LOC (10) Cl.** **09-03**

(52) **U.S. Cl.**
USPC **D9/415**

(58) **Field of Classification Search**
USPC D9/415, 421, 700, 721, 420; D3/294,
D3/203.1, 20, 23; D21/796; 206/380
See application file for complete search history.

(56) **References Cited**

U.S. PATENT DOCUMENTS

D262,095 S *	12/1981	Takahashi	D9/700
D286,262 S *	10/1986	Okada	D9/700
D291,412 S *	8/1987	Chodorow et al.	D9/721
D294,078 S *	2/1988	Smith	D3/20
D308,127 S *	5/1990	Doyel	D3/20
D331,316 S *	12/1992	Lord	D3/23
D332,347 S *	1/1993	Raadt et al.	D3/20
D375,621 S *	11/1996	Sudbrock	D3/20
D400,435 S *	11/1998	Appelbaum	D9/415
D475,853 S *	6/2003	Chen	D3/294
D476,227 S *	6/2003	Pratt	D9/415
D478,280 S *	8/2003	Miller et al.	D9/420
D480,301 S *	10/2003	Pratt	D9/415
D529,288 S *	10/2006	Ham	D3/294
D541,146 S *	4/2007	Cale et al.	D9/421
D610,644 S *	2/2010	Song	D21/796
D663,943 S *	7/2012	Walsh et al.	D3/203.1
D689,687 S *	9/2013	Lipscomb et al.	D3/20

D700,836 S *	3/2014	Lai et al.	D9/415
D708,850 S *	7/2014	Morine et al.	D3/294
2014/0202904 A1 *	7/2014	Gupta	206/380

* cited by examiner

Primary Examiner — Holly Baynham

Assistant Examiner — Rhea Shields

(74) *Attorney, Agent, or Firm* — Robert S. Alexander

(57) **CLAIM**

The ornamental design for a case for beading needles, as shown and described.

DESCRIPTION

FIG. 1 is a perspective view of a case for beading needles showing my new design in one configuration in which it can be used;

FIG. 2 is a top view thereof;

FIG. 3 is a perspective view of a case for beading needles showing my new design in another configuration thereof;

FIG. 4 is a rear elevational view thereof;

FIG. 5 is front elevational view thereof;

FIG. 6 is a side view thereof;

FIG. 7 is another perspective view thereof;

FIG. 8 is a bottom view thereof;

FIG. 9 is a wire frame perspective view illustrating the configuration of the transparent cover of my new design for a case for beading needles; and,

FIG. 10 is a wire frame perspective view illustrating the configuration of the body of my new design for a case for beading needles.

In the drawings, broken lines depict environmental subject matter only and form no part of the claimed design.

1 Claim, 3 Drawing Sheets

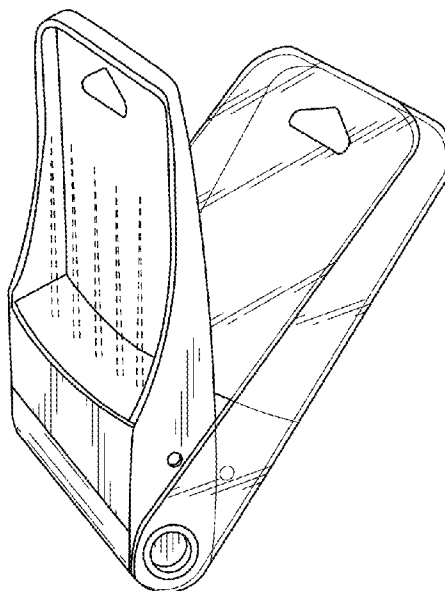


FIG. 1

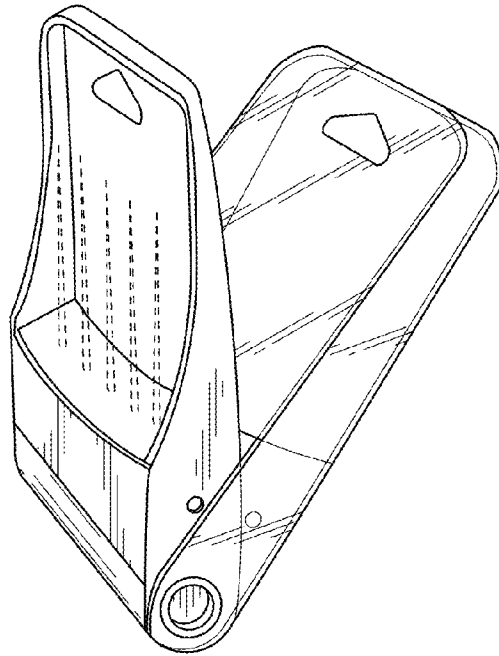


FIG. 2

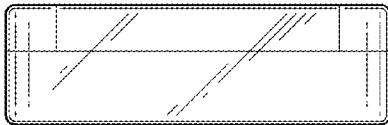


FIG. 3

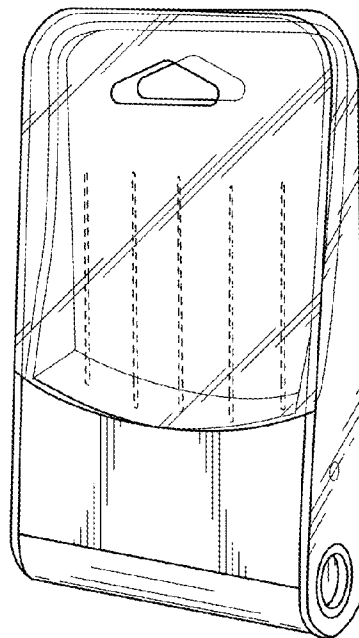


FIG. 4

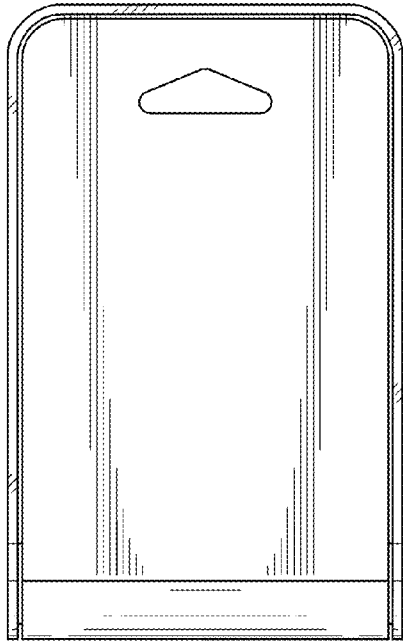


FIG. 5

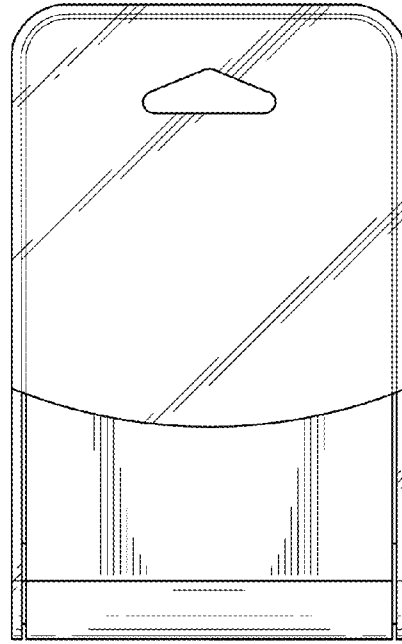


FIG. 6

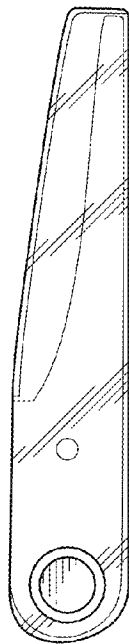


FIG. 7

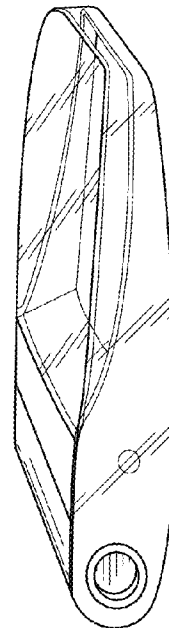


FIG. 8

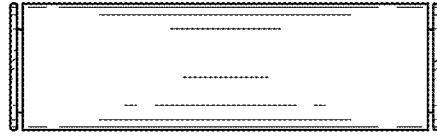


FIG. 9

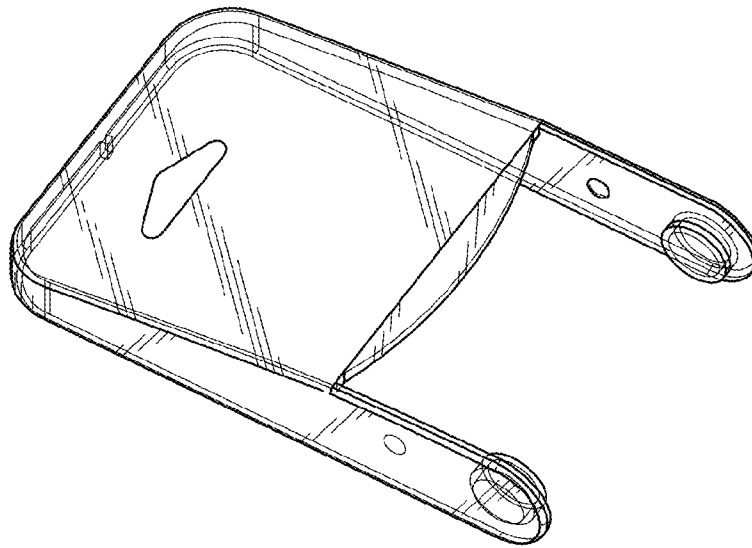


FIG. 10

