



(12) **United States Design Patent**
Kaplan et al.

(10) **Patent No.:** **US D872,513 S**
(45) **Date of Patent:** **** Jan. 14, 2020**

- (54) **BEVERAGE MACHINE**
- (71) Applicant: **Keurig Green Mountain, Inc.**,
Waterbury, VT (US)
- (72) Inventors: **Joshua Kaplan**, Stowe, VT (US); **Peter David Cauwood**, Cambridge (GB); **Iain James Sabberton**, Cambridge (GB); **Matthew John Maitland**, Cambridge (GB)
- (73) Assignee: **Keurig Green Mountain, Inc.**,
Burlington, MA (US)

D409,875	S	*	5/1999	Alonge	D7/309
D414,647	S	*	10/1999	Driscoll	D7/309
D496,553	S	*	9/2004	Bodum	D7/309
D511,066	S	*	11/2005	Garner	D7/309
D514,371	S	*	2/2006	Yang	D7/306
D552,402	S	*	10/2007	Schwamkrug	D7/309
D560,950	S	*	2/2008	Schwamkrug	D7/309
D585,229	S	*	1/2009	de Visser	D7/309
D586,171	S	*	2/2009	Picozza	D7/306
D590,652	S	*	4/2009	Cesaroni	D7/309
D596,442	S	*	7/2009	Cahen	D7/309
D627,188	S	*	11/2010	Picozza	D7/306
D666,451	S	*	9/2012	Cheng	D7/309

(Continued)

(**) Term: **15 Years**

(21) Appl. No.: **29/635,982**

(22) Filed: **Feb. 5, 2018**

(51) **LOC (12) Cl.** **07-01**

(52) **U.S. Cl.**
USPC **D7/306**; D7/309; D7/311

(58) **Field of Classification Search**
USPC D7/300, 309-311, 306-308, 305, 397,
D7/355, 362, 365, 367, 399; 222/146.6,
222/185.1, 135; 99/295, 273, 304, 288,
99/279, 307, 283
CPC A47J 31/02; A47J 31/407; A47J 31/50;
A47J 31/18; A47J 31/061; A47J 27/04;
A47J 31/0573; A47J 31/52; A47J
31/3633; Y10T 74/18296

See application file for complete search history.

(56) **References Cited**

U.S. PATENT DOCUMENTS

D240,386	S	*	7/1976	Stuetzer	D7/309
4,721,034	A	*	1/1988	Shimomura	A47J 31/047 99/280
D299,608	S	*	1/1989	Knochner	D7/309
D307,754	S	*	5/1990	Osrow	D15/82
D379,049	S	*	5/1997	Amiel	D7/305

OTHER PUBLICATIONS

[No Author Listed] Image of Breville BKC600XCL, publicly available prior to Feb. 5, 2018, 1 page.

(Continued)

Primary Examiner — Marianne N Pandozzi
(74) *Attorney, Agent, or Firm* — Wolf, Greenfield & Sacks, P.C.

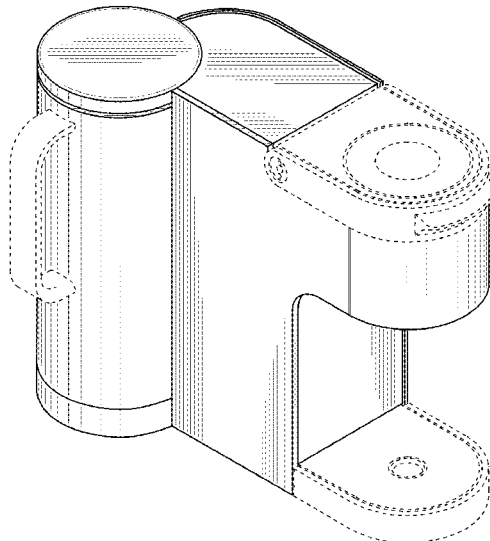
(57) **CLAIM**

The ornamental design for a beverage machine, as shown and described.

DESCRIPTION

FIG. 1 is a top, front, left side perspective view of a beverage machine showing our new design; FIG. 2 is a top plan view thereof; FIG. 3 is a left side elevation view thereof; FIG. 4 is a front elevation view thereof; FIG. 5 is a right side elevation view thereof; FIG. 6 is a rear elevation view thereof; FIG. 7 is a bottom plan view thereof; and, FIG. 8 is a top, front, right side perspective view thereof. The broken lines illustrate portions of the beverage machine that form no part of the claimed design.

1 Claim, 4 Drawing Sheets



(56)

References Cited

U.S. PATENT DOCUMENTS

D703,989	S	*	5/2014	Garman	D7/305
D712,188	S	*	9/2014	Averty	D7/309
D714,088	S	*	9/2014	Cahen	D7/309
D718,563	S	*	12/2014	Deman	D7/305
D718,972	S	*	12/2014	Jorgensen	D7/309
D726,481	S	*	4/2015	Cahen	D7/309
D726,482	S	*	4/2015	Cahen	D7/309
D728,988	S	*	5/2015	Warburton	D7/306
D736,025	S	*	8/2015	Kestenbaum	D7/309
D745,307	S	*	12/2015	Kestenbaum	D7/309
D762,412	S	*	8/2016	Kestenbaum	D7/392
D765,455	S	*	9/2016	de Gooijer	D7/309
D773,877	S	*	12/2016	Lee	D7/309
D773,878	S	*	12/2016	Lee	D7/309
D783,347	S	*	4/2017	Kestenbaum	D7/397
D788,509	S	*	6/2017	Wei	D7/305
D812,952	S	*	3/2018	Fedorak	D7/306
D816,383	S	*	5/2018	Liang	D7/310
D830,756	S	*	10/2018	Cahen	D7/306
D831,398	S	*	10/2018	Cahen	D7/306
D832,019	S	*	10/2018	Cahen	D7/306
D836,371	S	*	12/2018	Cahen	D7/306
D838,532	S	*	1/2019	Seidl	D7/311
D841,383	S	*	2/2019	Warburton	D7/306
D843,154	S	*	3/2019	Buttler	D7/309
D843,765	S	*	3/2019	Fedorak	D7/306
D853,771	S	*	7/2019	Wood	D7/306

OTHER PUBLICATIONS

[No Author Listed] Images of SodaStream, publicly available prior to Feb. 5, 2018, 2 pages.

* cited by examiner

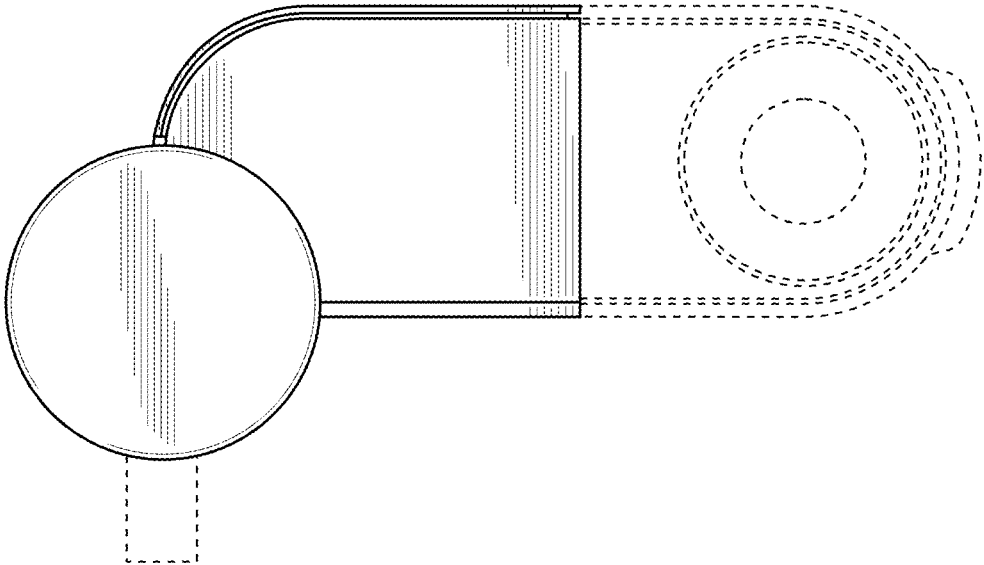


FIG. 2

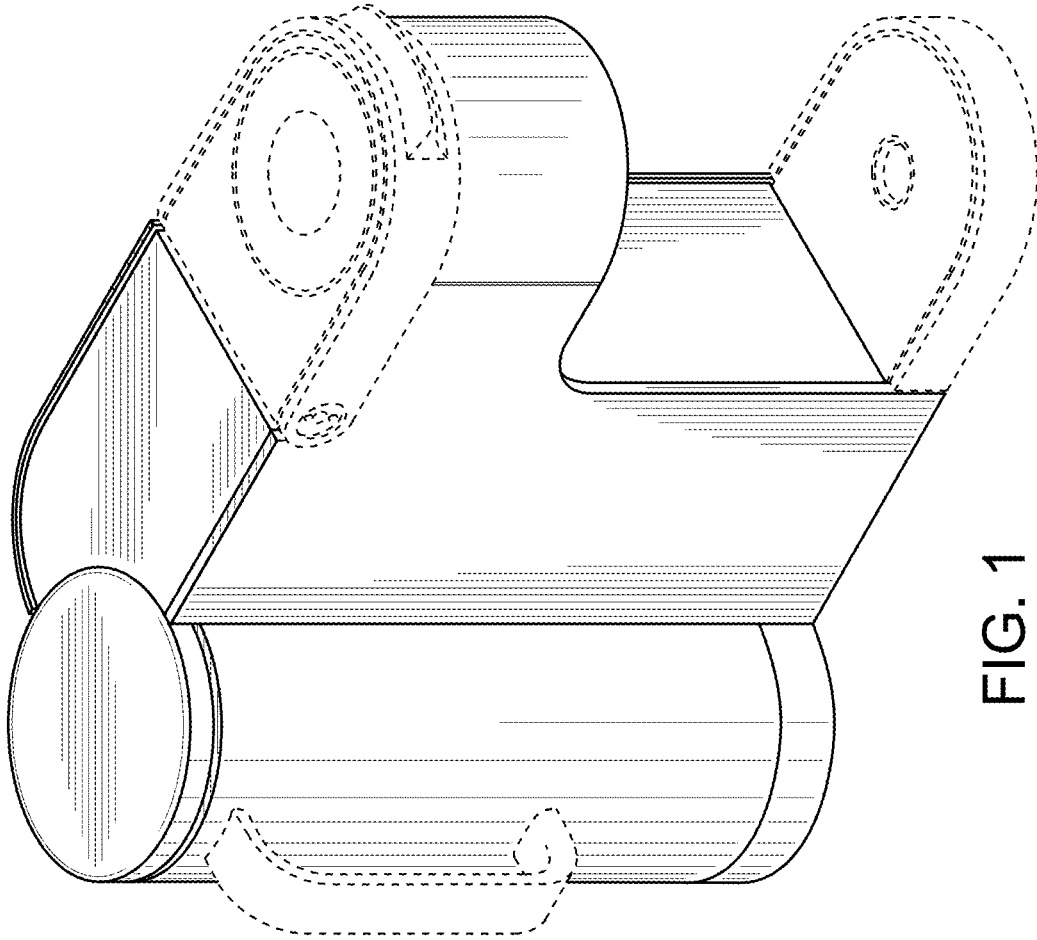


FIG. 1

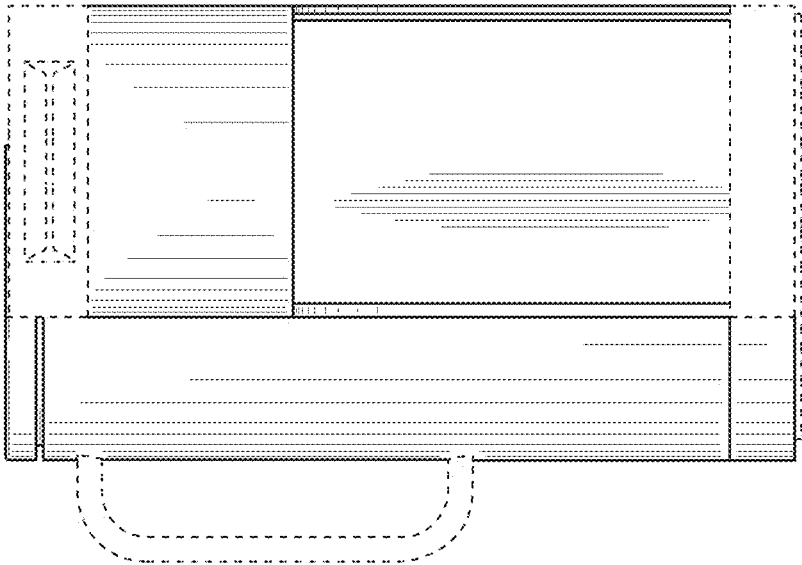


FIG. 3

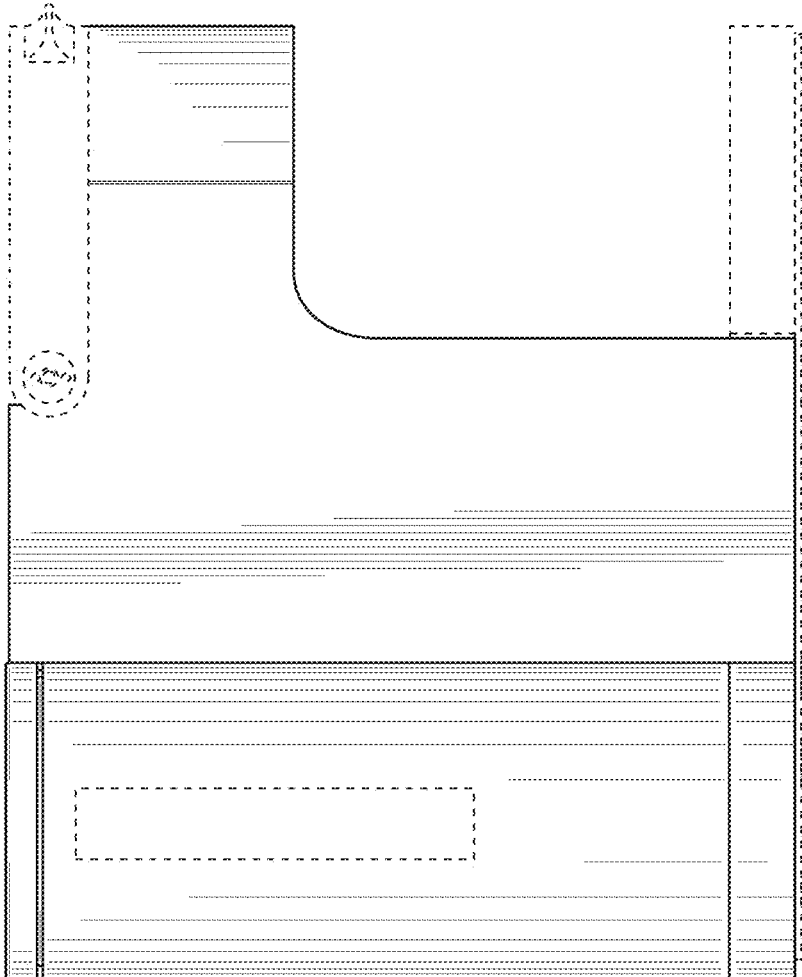


FIG. 4

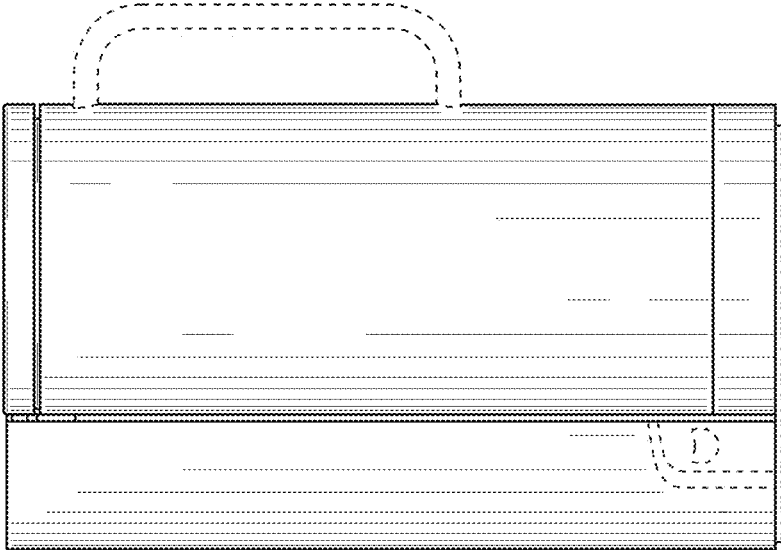


FIG. 6

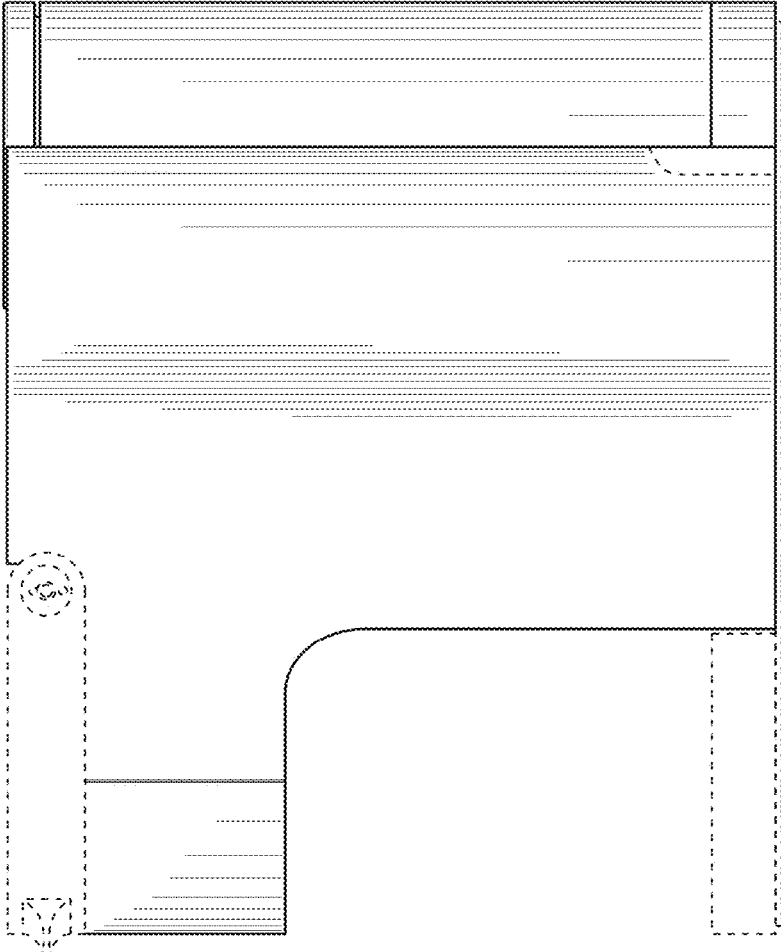


FIG. 5

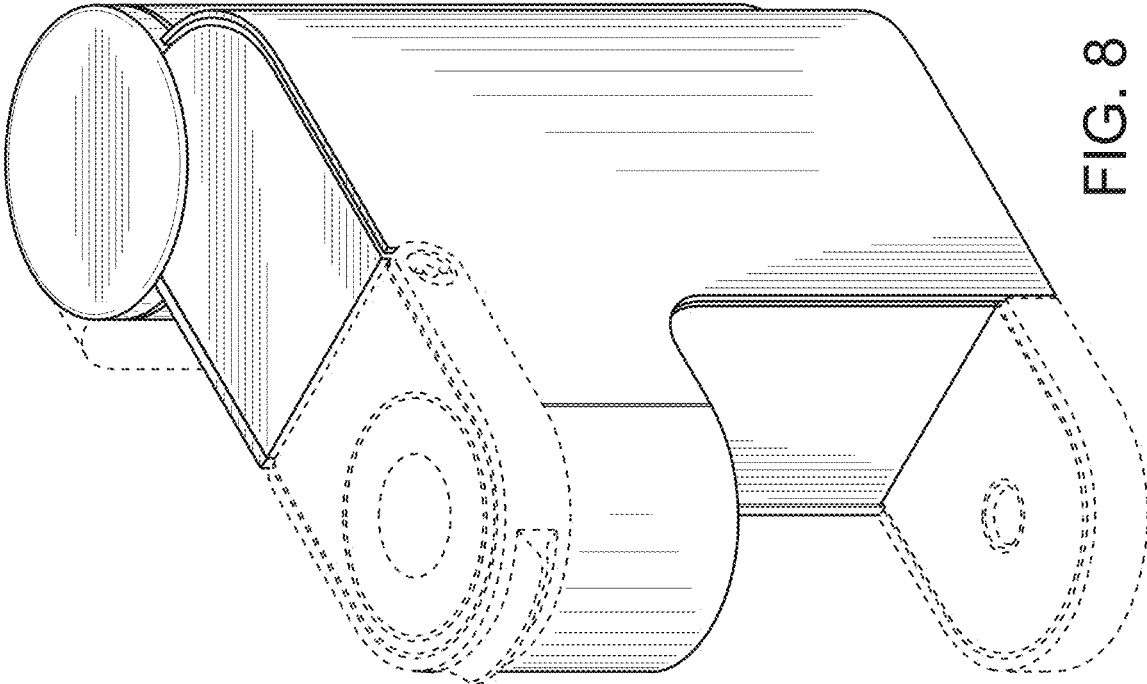


FIG. 8

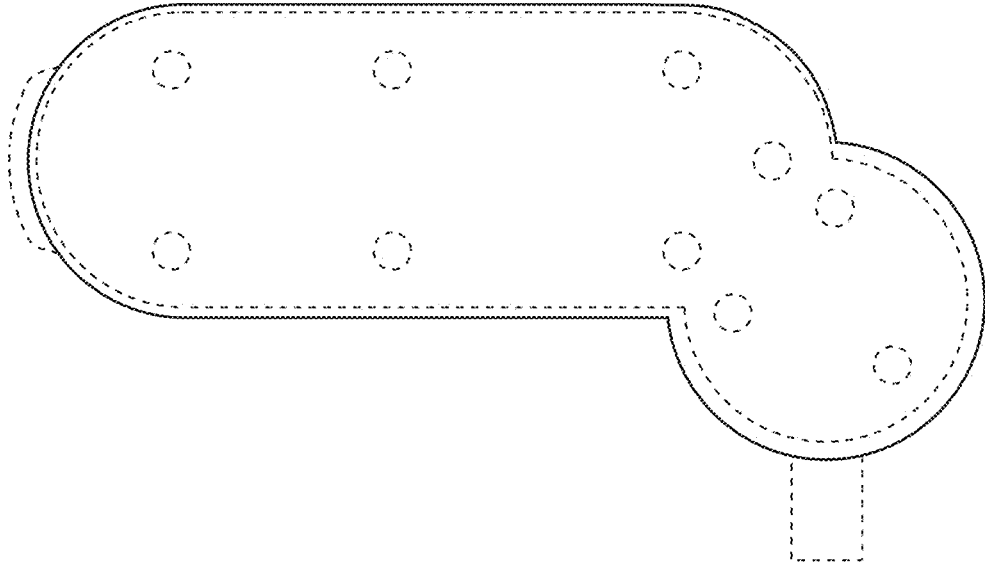


FIG. 7