



US0D1047732S

(12) **United States Design Patent**
Scheufele

(10) **Patent No.:** **US D1,047,732 S**

(45) **Date of Patent:** **** Oct. 22, 2024**

(54) **WATCH**

(71) Applicant: **Chopard International SA**, Prangins
(CH)

(72) Inventor: **Karl-Friedrich Scheufele**, Prangins
(CH)

(73) Assignee: **Chopard International SA**, Prangins
(CH)

(**) Term: **15 Years**

(21) Appl. No.: **29/846,822**

(22) Filed: **Jul. 19, 2022**

(30) **Foreign Application Priority Data**

Mar. 9, 2022 (WO) WIPO114483

(51) **LOC (14) Cl.** **10-02**

(52) **U.S. Cl.**
USPC **D10/32; D10/38**

(58) **Field of Classification Search**
USPC **D10/30-39, 128; D14/344; D11/3-5,**
D11/86-87

CPC .. **G04B 19/00; G04B 19/223; G04B 37/1486;**
G04B 37/005; G04B 37/0041; G04F
7/08; G04F 7/0804; G04F 7/0842; G04F
7/0861; G04F 7/0871; G04F 7/0876;
A44C 5/02; A44C 5/00

See application file for complete search history.

(56) **References Cited**

U.S. PATENT DOCUMENTS

D536,998 S *	2/2007	Fujihara	D10/38
D607,346 S *	1/2010	Bove	D10/38
D637,095 S *	5/2011	Vaptzarof	D10/38
D655,630 S *	3/2012	Behling	D10/38
D662,836 S *	7/2012	Ganz	D10/38
D668,162 S *	10/2012	Inoue	D10/39

D726,675 S *	4/2015	Choi	D14/344
D735,586 S *	8/2015	Stegmann	D10/38
D737,151 S *	8/2015	Alward	D10/38
D756,244 S *	5/2016	Bastian	D10/30
D770,307 S *	11/2016	Jin	D10/32
D776,764 S *	1/2017	Kuramoto	D21/531
D795,708 S *	8/2017	Monachon	D10/30
D795,863 S *	8/2017	Park	D14/344
D804,966 S *	12/2017	Inoue	D10/30
D816,517 S *	5/2018	Emmenegger	D10/39
D817,194 S *	5/2018	Monachon	D10/39

(Continued)

OTHER PUBLICATIONS

Chopard Alpine Eagle XL Chrono Blue 44mm | watchvault.com.au; 2023 [online]. © 2024, Watch Vault Australia [retrieved May 29, 2024] from Internet: <<https://www.watchvault.com.au/products/chopard-alpine-eagle-xl-chrono-blue-44mm-298609-3003-2023>> (Year: 2023).*

(Continued)

Primary Examiner — Leanne Was-Englehart

Assistant Examiner — Molly Loch

(74) *Attorney, Agent, or Firm* — Smartpat PLC

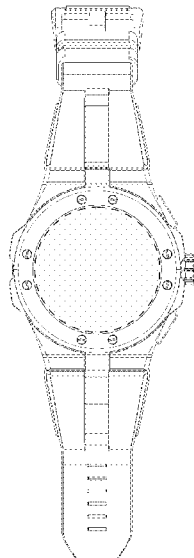
(57) **CLAIM**

The ornamental design for a watch as shown and described.

DESCRIPTION

FIG. 1 is a front view of a watch showing my new design; FIG. 2 is a rear view thereof; FIG. 3 is a top view thereof; FIG. 4 is a bottom view thereof; FIG. 5 is a left side view thereof; FIG. 6 is a right side view thereof; and, FIG. 7 is a top, front, right side perspective view thereof. The broken lines shown in the figures illustrate portions of the watch that form no part of the claimed design.

1 Claim, 5 Drawing Sheets



(56)

References Cited

U.S. PATENT DOCUMENTS

D818,376 S * 5/2018 Monachon D10/38
D884,491 S * 5/2020 Scheufele D10/38
D910,616 S * 2/2021 Oh D14/344
D935,897 S * 11/2021 Manzoni D10/38

OTHER PUBLICATIONS

Chopard Alpine Eagle XL Watch Combines High-Precision Functions with Dynamic Look | ablogtwatch.com; Oct. 3, 2023. © 2007-2024. aBlogtoWatch [retrieved May 29, 2024] from Internet: <<https://www.ablogtwatch.com/chopard-alpine-eagle-xl-chronograph-watch-combines-high-precision-functions-with-a-dynamic-look/>> (Year: 2023).*

Karl-Friedrich Scheufele, co-pending U.S. Appl. No. 29/846,828 filed Jul. 19, 2022.

Karl-Friedrich Scheufele, co-pending U.S. Appl. No. 29/846,829, filed Jul. 19, 2022.

* cited by examiner

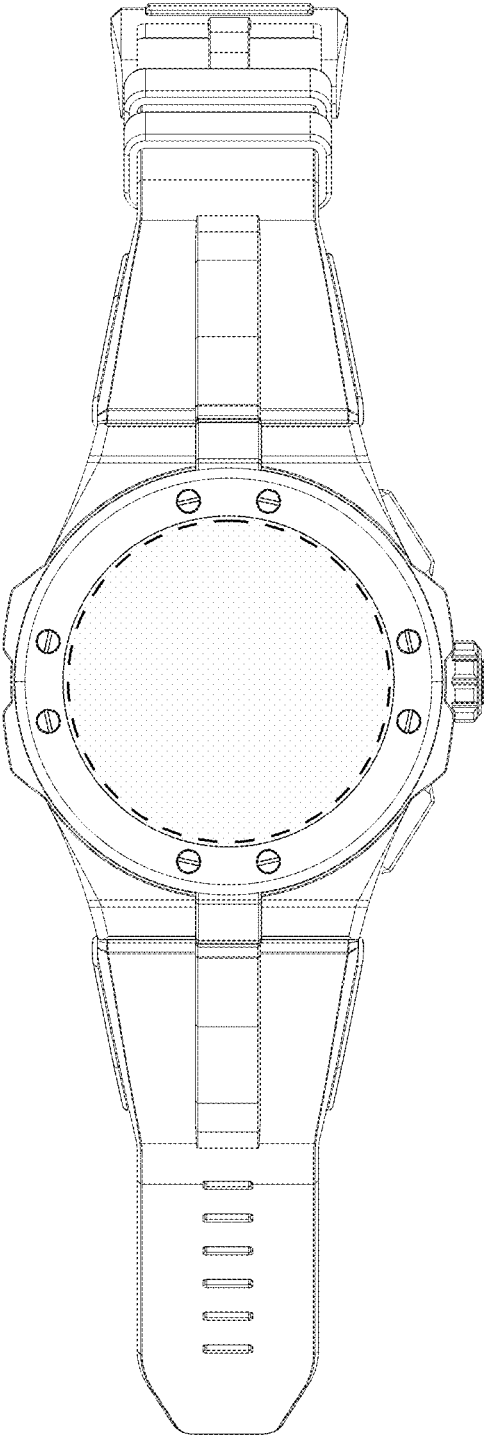


FIG. 1

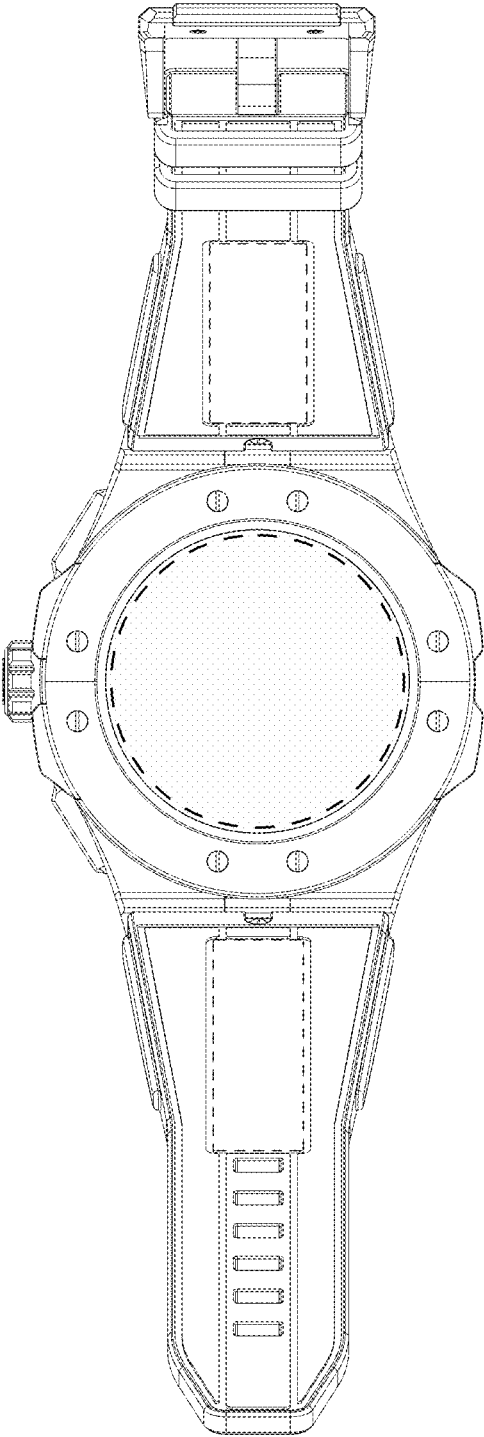


FIG. 2

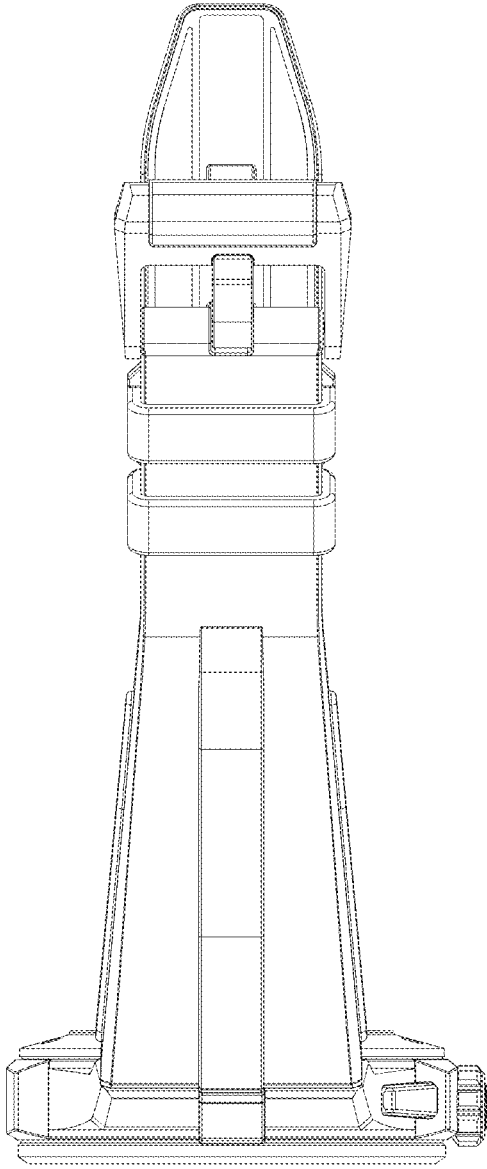


FIG. 3

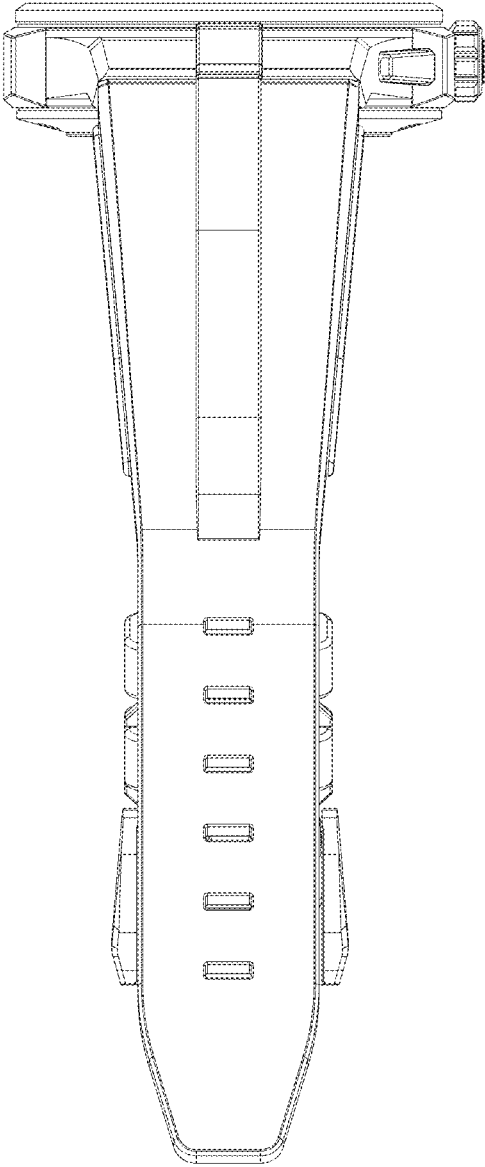


FIG. 4

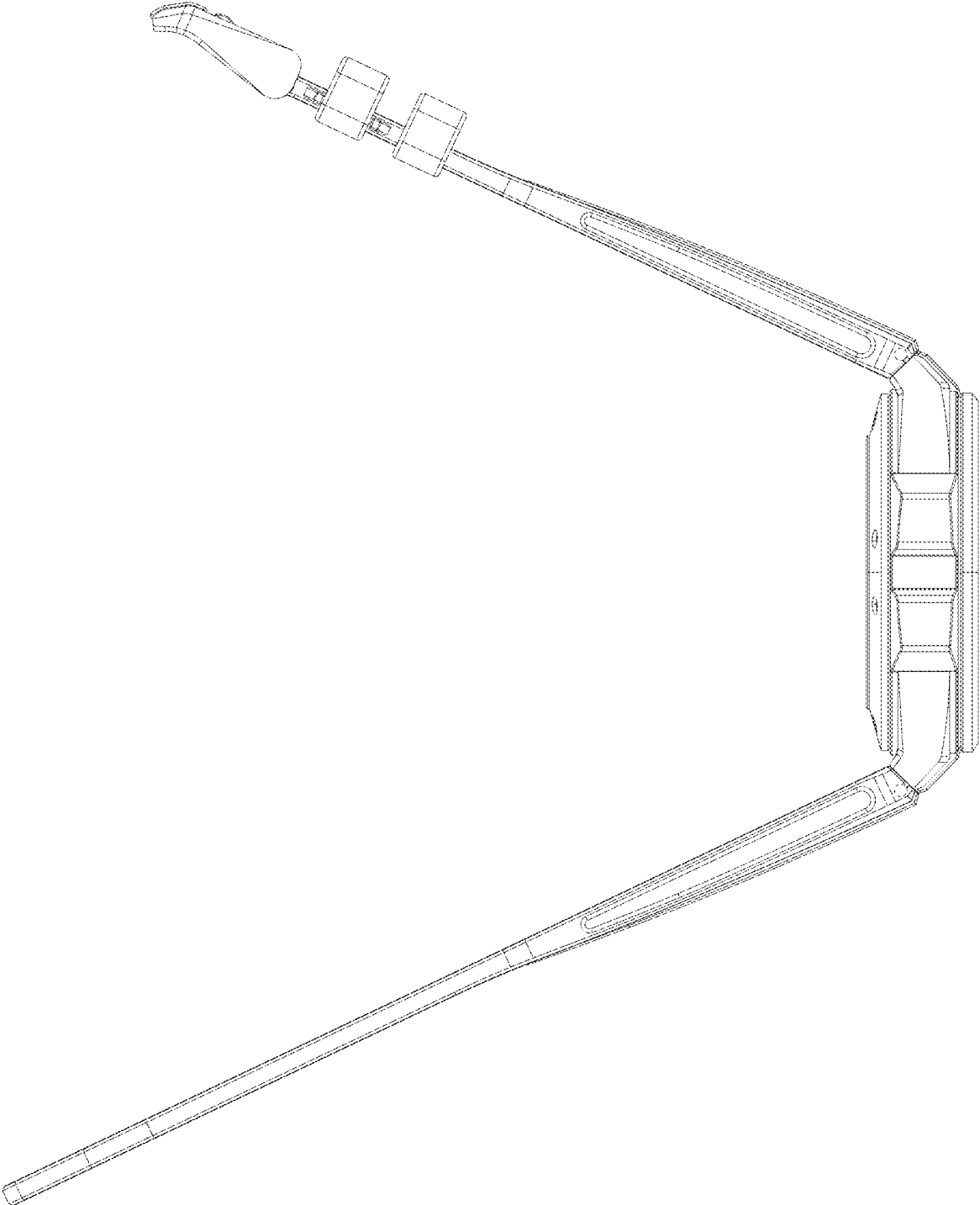


FIG. 5

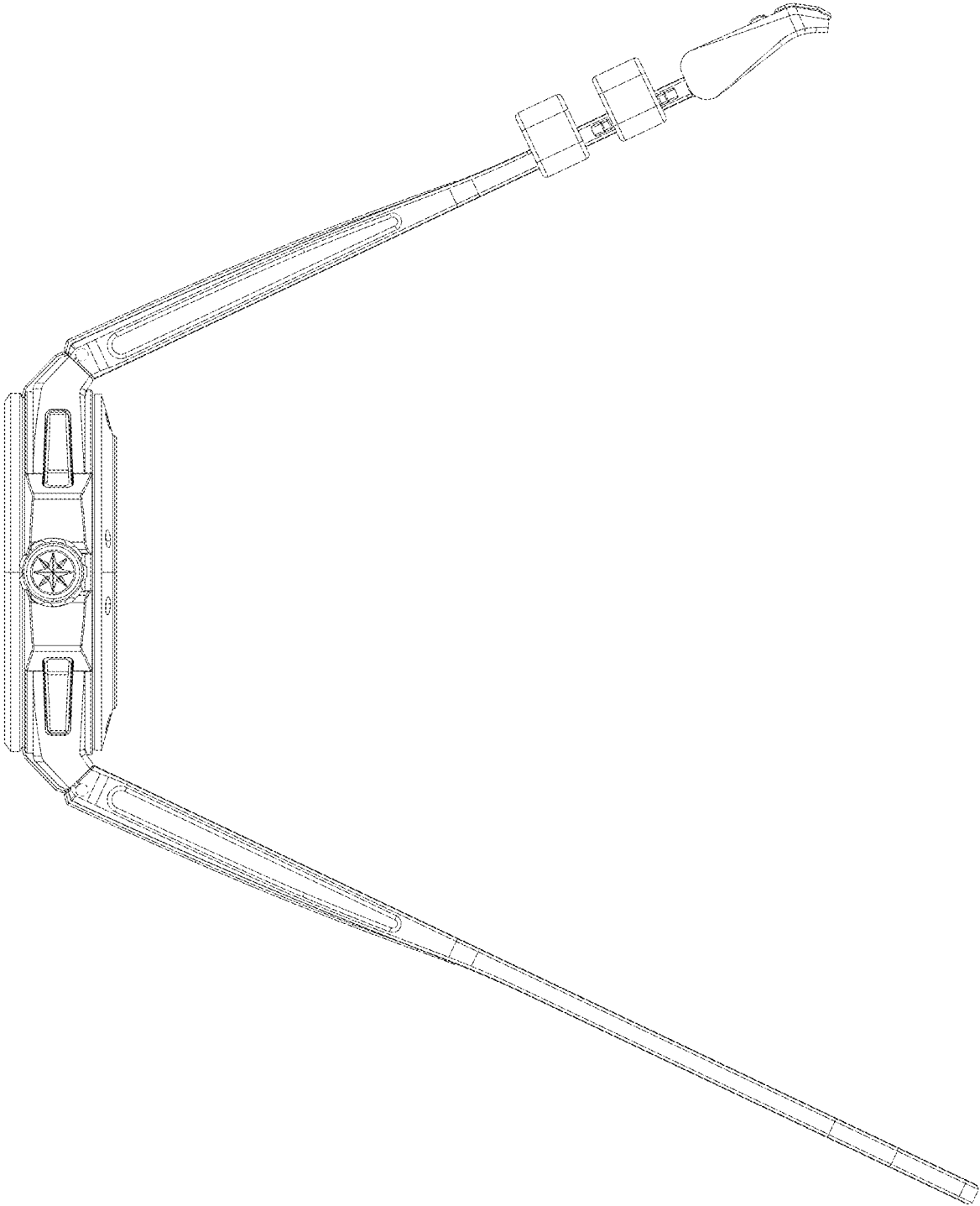


FIG. 6

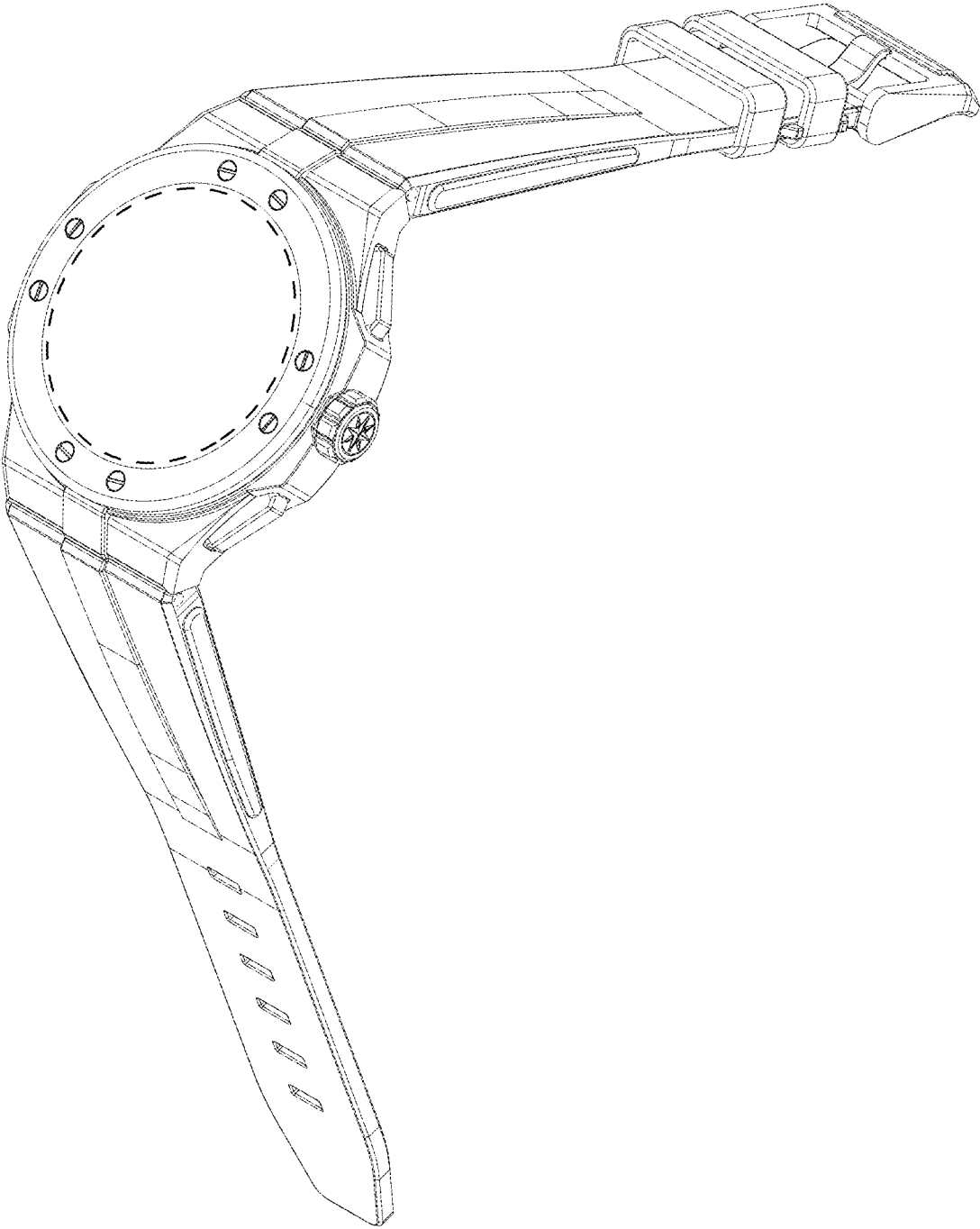


FIG. 7