



(12) **United States Design Patent**
Jin

(10) **Patent No.:** **US D1,002,255 S**
(45) **Date of Patent:** **** Oct. 24, 2023**

- (54) **COFFEE MACHINE**
- (71) Applicant: **Thumbs Up Innovations Technology Co., Ltd., Zhuhai (CN)**
- (72) Inventor: **Wen Jin, Zhuhai (CN)**
- (73) Assignee: **Thumbs Up Innovations Technology Co., Ltd., Zhuhai (CN)**

D590,652 S *	4/2009	Cesaroni	D7/311
D677,510 S *	3/2013	Tetreault	D7/311
D738,149 S *	9/2015	Ye	D7/311
D742,680 S *	11/2015	Burrows	D7/311
D747,144 S *	1/2016	Sun	D7/509
D758,120 S *	6/2016	Garman	D7/311
D760,009 S *	6/2016	Moammer	D7/311
D825,244 S *	8/2018	Bodum	D7/311
D863,857 S *	10/2019	Umholtz	D7/311
D882,321 S *	4/2020	Fisher Wong	D7/311

(Continued)

(**) Term: **15 Years**

(21) Appl. No.: **29/824,735**

(22) Filed: **Jan. 26, 2022**

(51) **LOC (14) Cl.** **07-01**

(52) **U.S. Cl.**
USPC **D7/311**

(58) **Field of Classification Search**
 USPC D7/300, 305, 306, 307, 308, 309, 310, 311, 312, 397, 398, 399
 CPC A47G 19/12; A47G 19/14; A47G 19/16; A47J 31/02; A47J 31/043; A47J 31/057; A47J 31/053; A47J 31/0573; A47J 31/44; A47J 31/56; A47J 31/08; A47J 31/007; B65D 2581/3409

See application file for complete search history.

(56) **References Cited**

U.S. PATENT DOCUMENTS

D350,871 S *	9/1994	Littmann	D7/311
D378,970 S *	4/1997	Brady	D7/311
D379,132 S *	5/1997	Brady	D7/311
D403,551 S *	1/1999	Seiffert	A47J 31/057 D7/311
D424,360 S *	5/2000	Schwarz	D7/311
D432,848 S *	10/2000	Brady	D7/311
D440,811 S *	4/2001	Littmann	D7/311
D451,329 S *	12/2001	DeMars	D7/311
D457,375 S *	5/2002	Picozza	D7/311
D498,110 S *	11/2004	Picozza	D7/311
D511,066 S *	11/2005	Garner	D7/311

OTHER PUBLICATIONS

Familworths Coffee Maker 2, amazon.com, First available date: Sep. 28, 2022. Retrieved from the internet May 11, 2023<https://www.amazon.com/Single-serve-Brewers-Removable-Reservoir-Included/dp/B0BGMZF735?ref_ast_sto_dp&th=1 (Year: 2022).*

(Continued)

Primary Examiner — Joseph Kukella
Assistant Examiner — Darryl J Dardenne
(74) *Attorney, Agent, or Firm* — ScienBiziP, P.C.

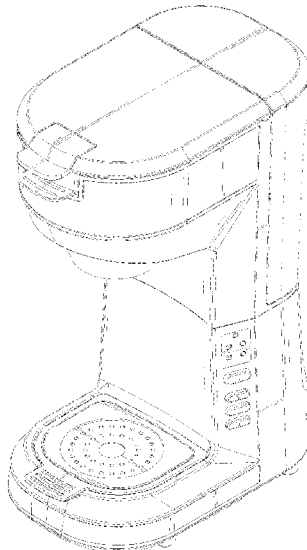
(57) **CLAIM**

The ornamental design for a coffee machine, as shown and described.

DESCRIPTION

FIG. 1 is a front, right and top perspective view of a coffee machine, showing my design.
FIG. 2 is a front elevation view thereof.
FIG. 3 is a rear elevation view thereof.
FIG. 4 is a left side elevation view thereof.
FIG. 5 is a right side elevation view thereof.
FIG. 6 is a top plan view thereof; and,
FIG. 7 is a bottom plan view thereof.
The broken lines shown in the drawings are included for the purpose of illustrating portions of the coffee machine that form no part of the claimed design.

1 Claim, 7 Drawing Sheets



(56)

References Cited

U.S. PATENT DOCUMENTS

D885,817	S	*	6/2020	Ye	D7/311
D888,488	S	*	6/2020	McColl	D7/311
D942,200	S	*	2/2022	McConnell	D7/309
D943,329	S	*	2/2022	Cha	D7/306
D945,201	S	*	3/2022	Nalen	D7/311
D949,616	S	*	4/2022	Duran	D7/309
D950,292	S	*	5/2022	Finnance	D7/309
D955,797	S	*	6/2022	Nalen	D7/309
D956,463	S	*	7/2022	Kim	D7/311
D960,625	S	*	8/2022	Kim	D7/311
D966,771	S	*	10/2022	Kim	D7/311
D977,890	S	*	2/2023	Chan	D7/306
D987,350	S	*	5/2023	Walraven	D7/311
D992,329	S	*	7/2023	Roland	D7/313
2011/0005398	A1	*	1/2011	Garcia	A47J 31/057 99/290
2014/0013958	A1	*	1/2014	Krasne	A47J 31/0642 99/284
2014/0251151	A1	*	9/2014	Cao	A47J 31/057 99/295
2022/0330742	A1	*	10/2022	Ioannidis	A47J 31/4492
2023/0067361	A1	*	3/2023	Chan	A47J 31/4403

OTHER PUBLICATIONS

Familworths Coffee Maker, amazon.com, First available date: Feb. 23, 2023. Retrieved from the internet May 11, 2023<<https://www.amazon.com/Single-serve-Brewers-Removable-Reservoir-Included/dp/B0BWMQSKZ?th=1> (Year: 2023).*

* cited by examiner

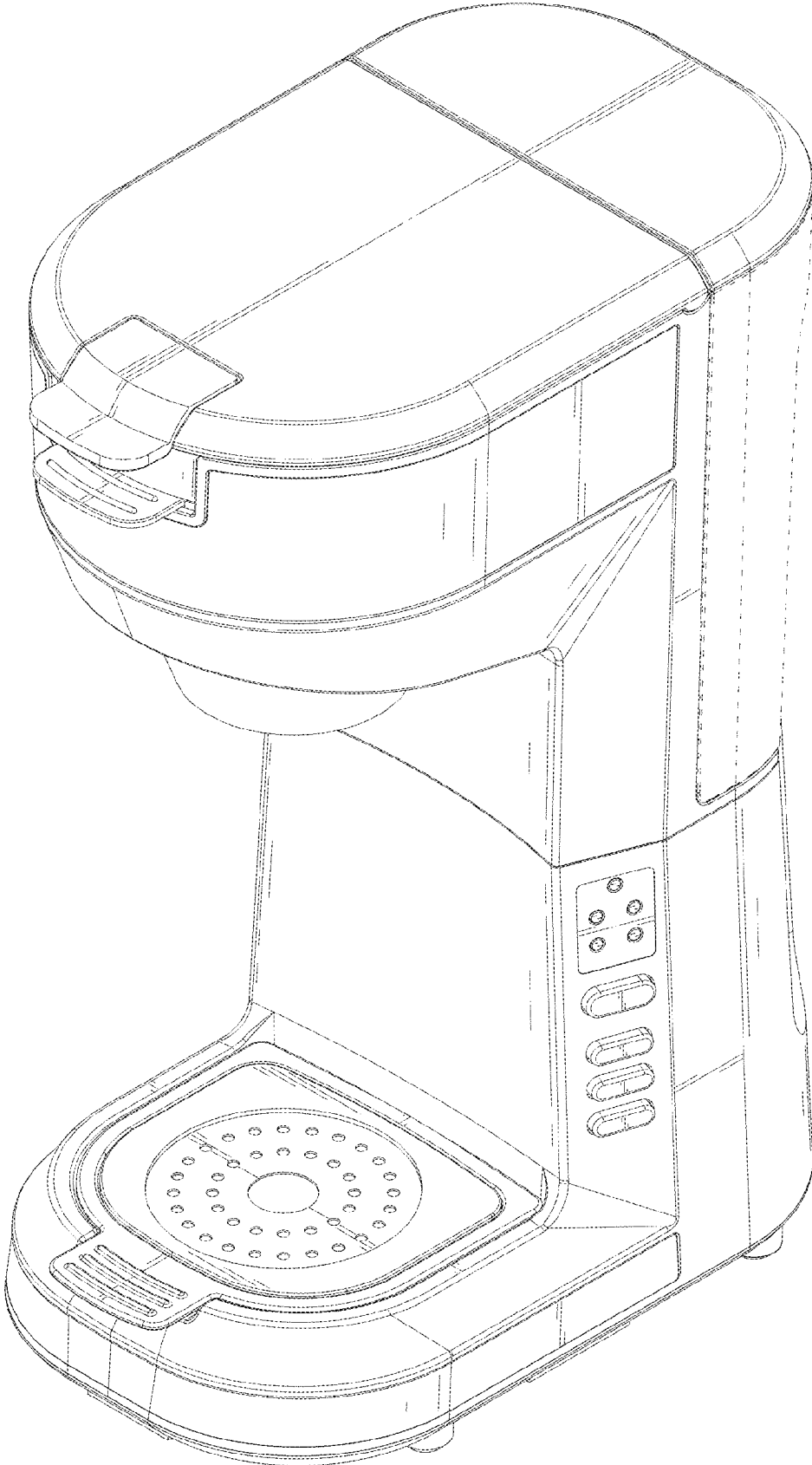


FIG.1

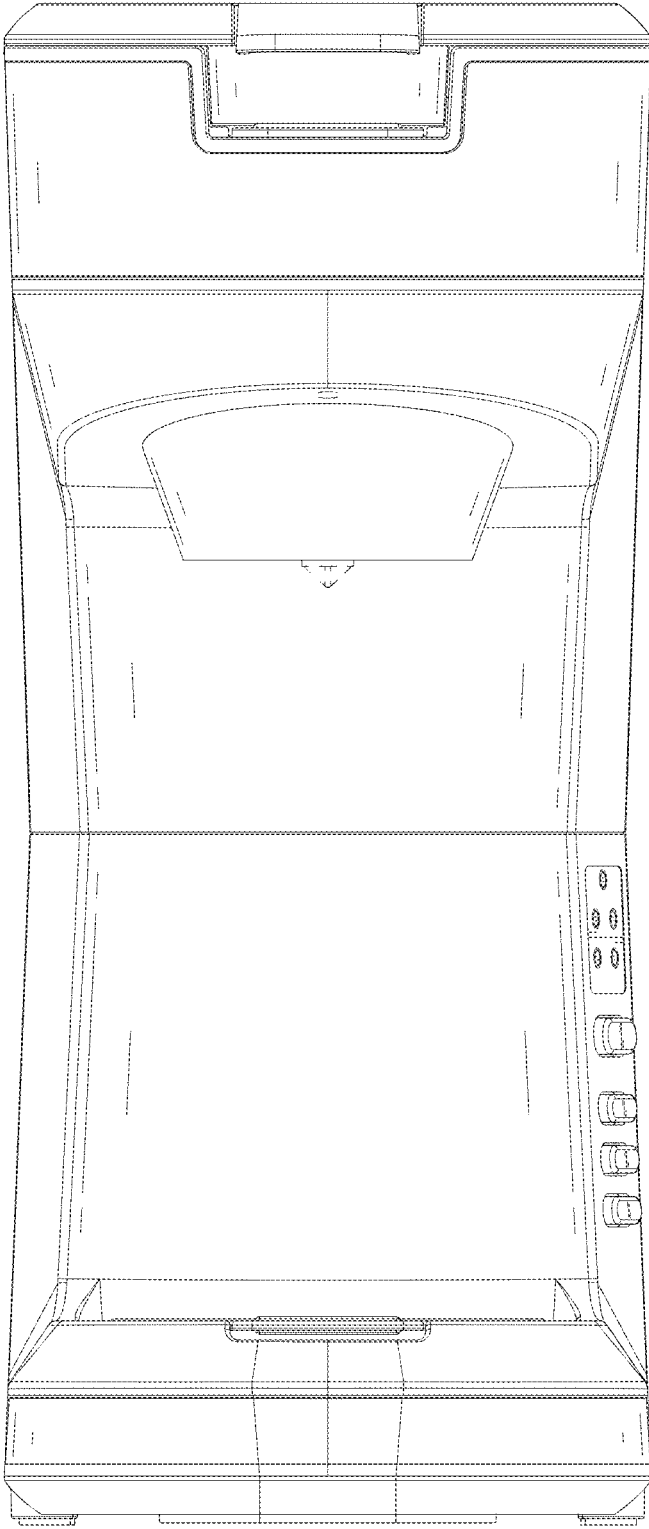


FIG.2

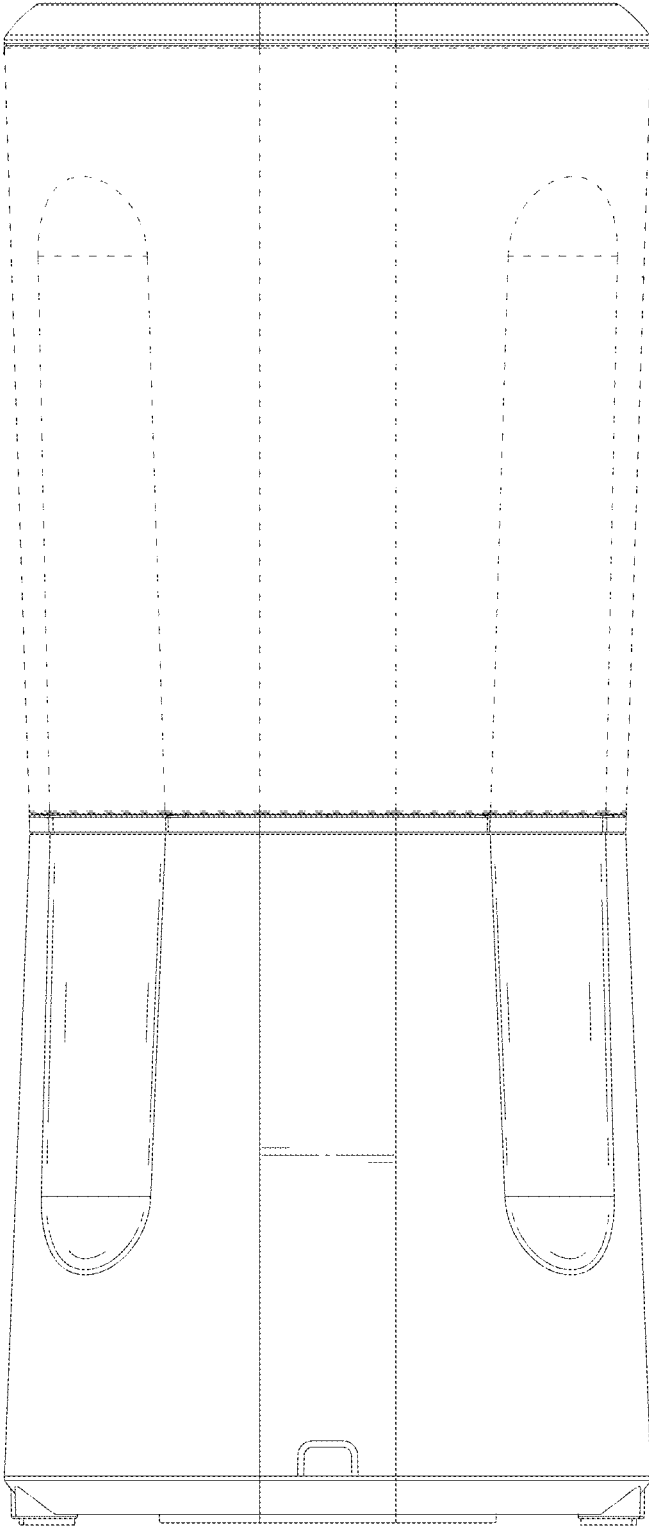


FIG.3

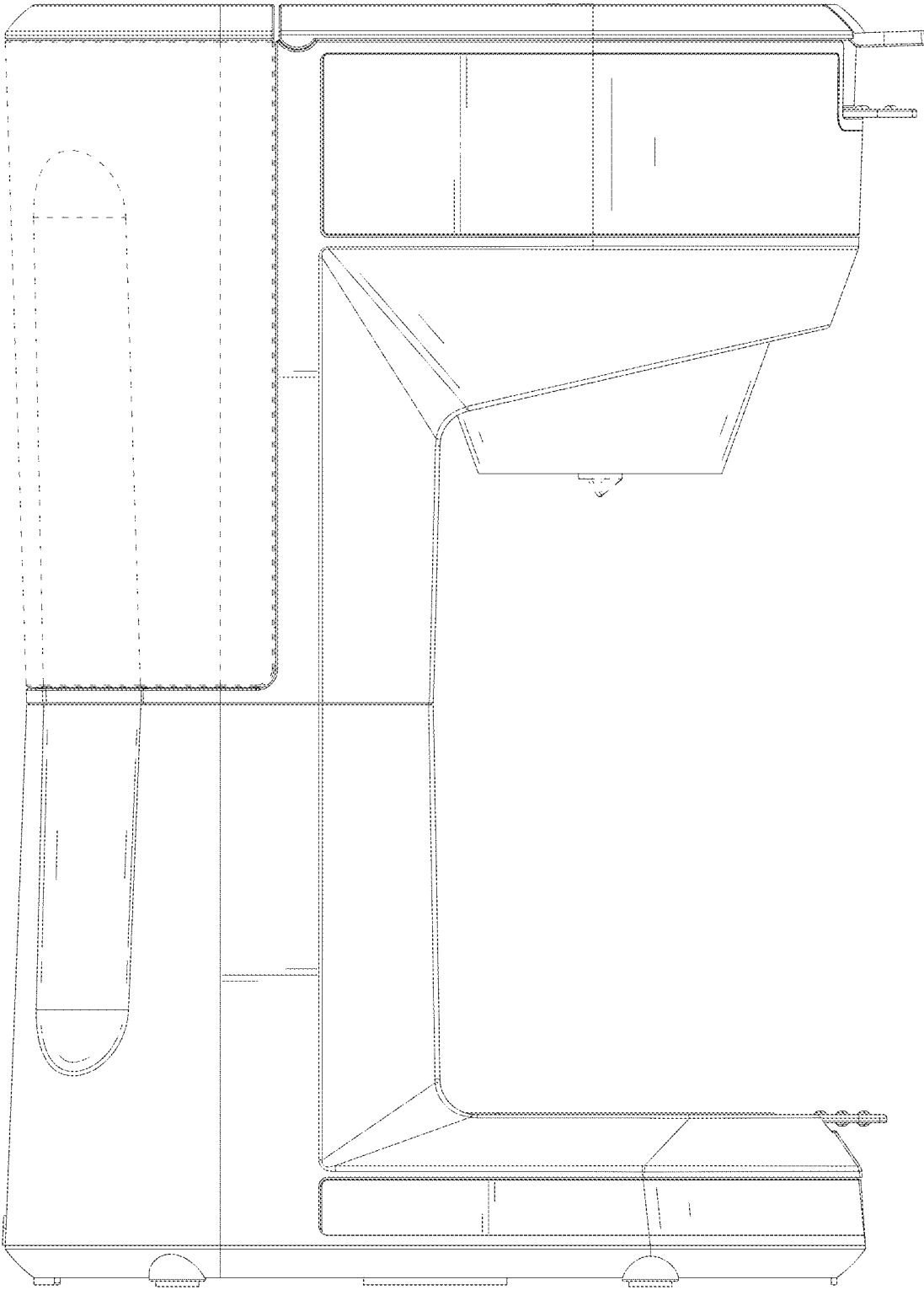


FIG.4

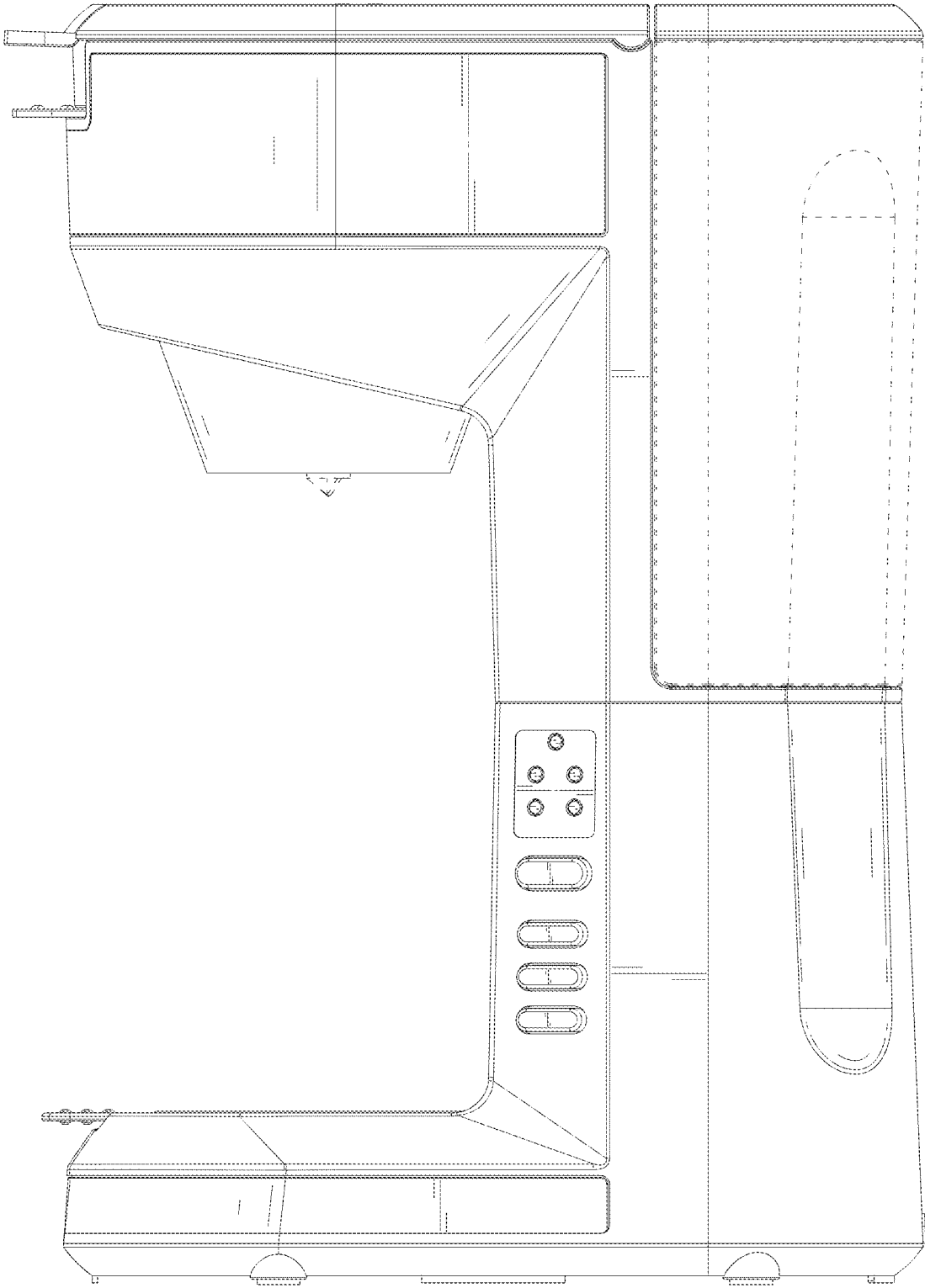


FIG.5

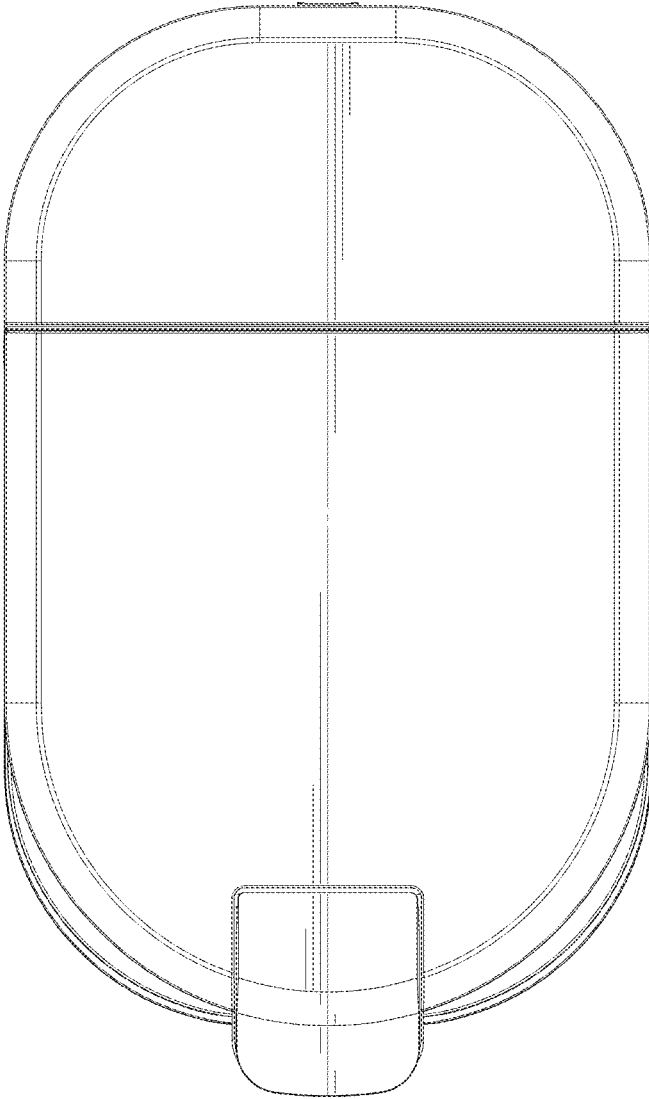


FIG.6

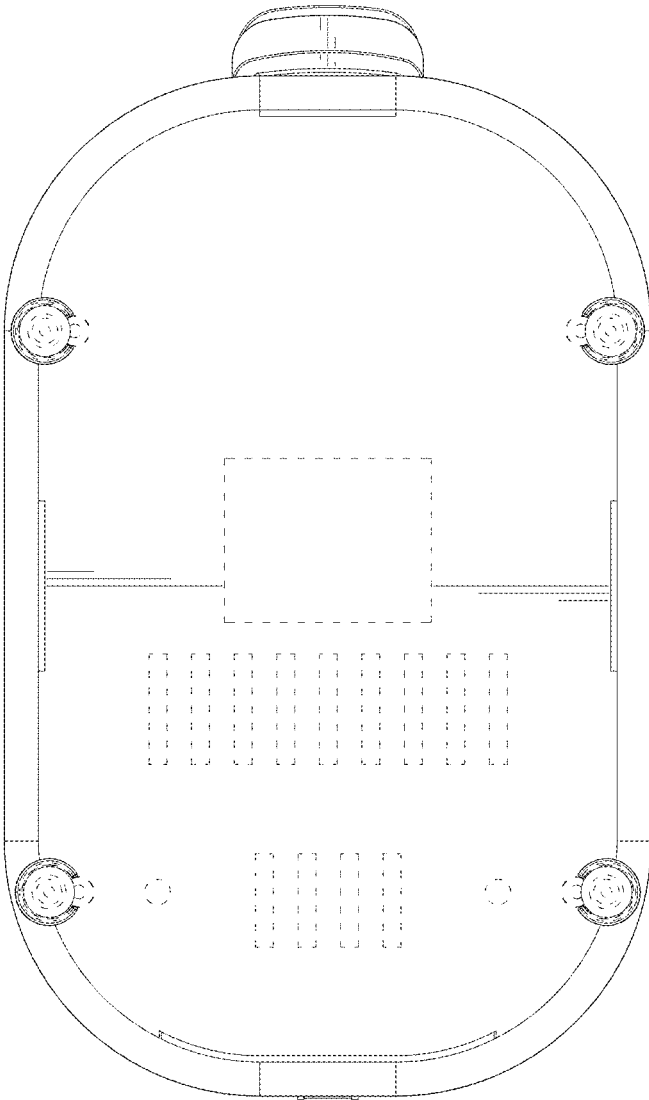


FIG.7