



US00D939431S

(12) **United States Design Patent**
Thorne et al.

(10) **Patent No.:** **US D939,431 S**

(45) **Date of Patent:** **** Dec. 28, 2021**

(54) **BATTERY**

(71) Applicant: **SimpliSafe, Inc.**, Boston, MA (US)

(72) Inventors: **Scott Joseph Thorne**, Cambridge, MA (US); **Dirk Ahlgrim**, Boston, MA (US); **Rebecca Petersen**, Medford, MA (US)

(73) Assignee: **SimpliSafe, Inc.**, Boston, MA (US)

(**) Term: **15 Years**

(21) Appl. No.: **29/735,028**

(22) Filed: **May 18, 2020**

(51) **LOC (13) Cl.** **13-02**

(52) **U.S. Cl.**

USPC **D13/103**

(58) **Field of Classification Search**

USPC D13/102-106, 118, 199, 184

CPC Y02E 60/12; Y02E 60/122; Y02E 60/124;

Y02E 60/50; H01M 2/02; H01M 2/022;

H01M 2/0207; H01M 2/0212; H01M

2/1061; H01M 2/1022; H01M 2/1055;

H01M 2/1066; H01M 2/105; H01M

2/204; H01M 10/4257; H01M 10/0436;

H01M 10/48

See application file for complete search history.

(56)

References Cited

U.S. PATENT DOCUMENTS

D349,714 S	8/1994	Hasegawa	
D409,975 S *	5/1999	Zeller	D13/103
D500,511 S	1/2005	Sybilrud	
D593,940 S *	6/2009	Nomi	D13/103
D624,577 S	9/2010	Kujawski et al.	
D659,871 S	5/2012	Lee et al.	
D686,981 S *	7/2013	Koyabu	D13/103

D797,176 S 9/2017 Lin et al.

D832,329 S 10/2018 Li

D839,823 S * 2/2019 Lemelson D13/103

D860,131 S * 9/2019 Siminoff D13/103

D877,064 S * 3/2020 Jiang D13/103

D911,950 S * 3/2021 Zhang D13/108

D914,604 S * 3/2021 Wang D13/118

D916,015 S * 4/2021 Li D13/108

D922,945 S * 6/2021 Sun D13/108

OTHER PUBLICATIONS

U.S. Appl. No. 29/735,017, filed May 18, 2020, Thorne et al.

U.S. Appl. No. 29/735,020, filed May 18, 2020, Thorne et al.

U.S. Appl. No. 29/735,025, filed May 18, 2020, Thorne et al.

U.S. Appl. No. 29/735,026, filed May 18, 2020, Thorne et al.

* cited by examiner

Primary Examiner — Christy Nemeth

(74) *Attorney, Agent, or Firm* — Wolf, Greenfield & Sacks, P.C.

(57)

CLAIM

The ornamental design for a battery, as shown and described.

DESCRIPTION

FIG. 1 is an upper, front, right perspective view of a battery;

FIG. 2 is a lower, front, left perspective thereof;

FIG. 3 is a front view thereof;

FIG. 4 is a rear view thereof;

FIG. 5 is a left side view thereof;

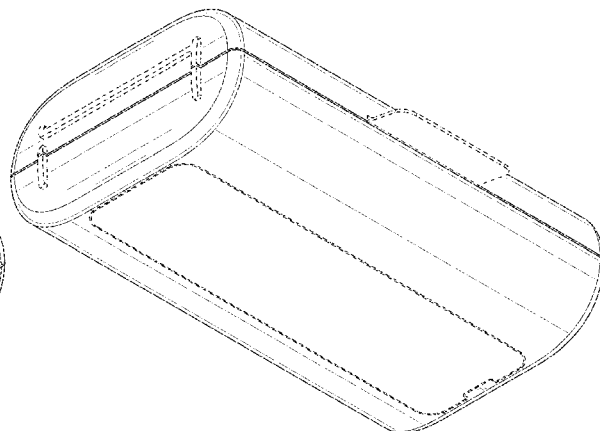
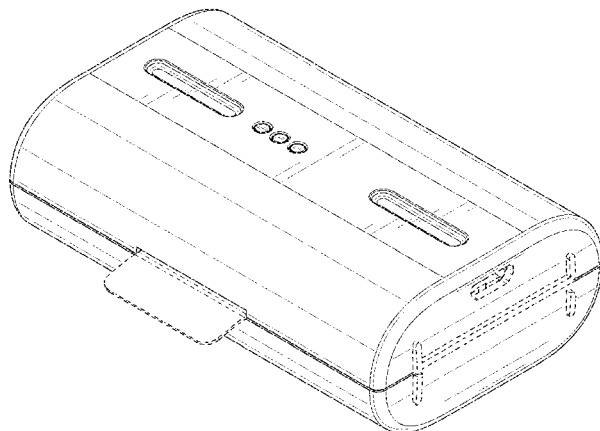
FIG. 6 is a right side view thereof;

FIG. 7 is a top view thereof; and,

FIG. 8 is a bottom view thereof.

Features shown in dashed line form no part of the claimed design.

1 Claim, 6 Drawing Sheets



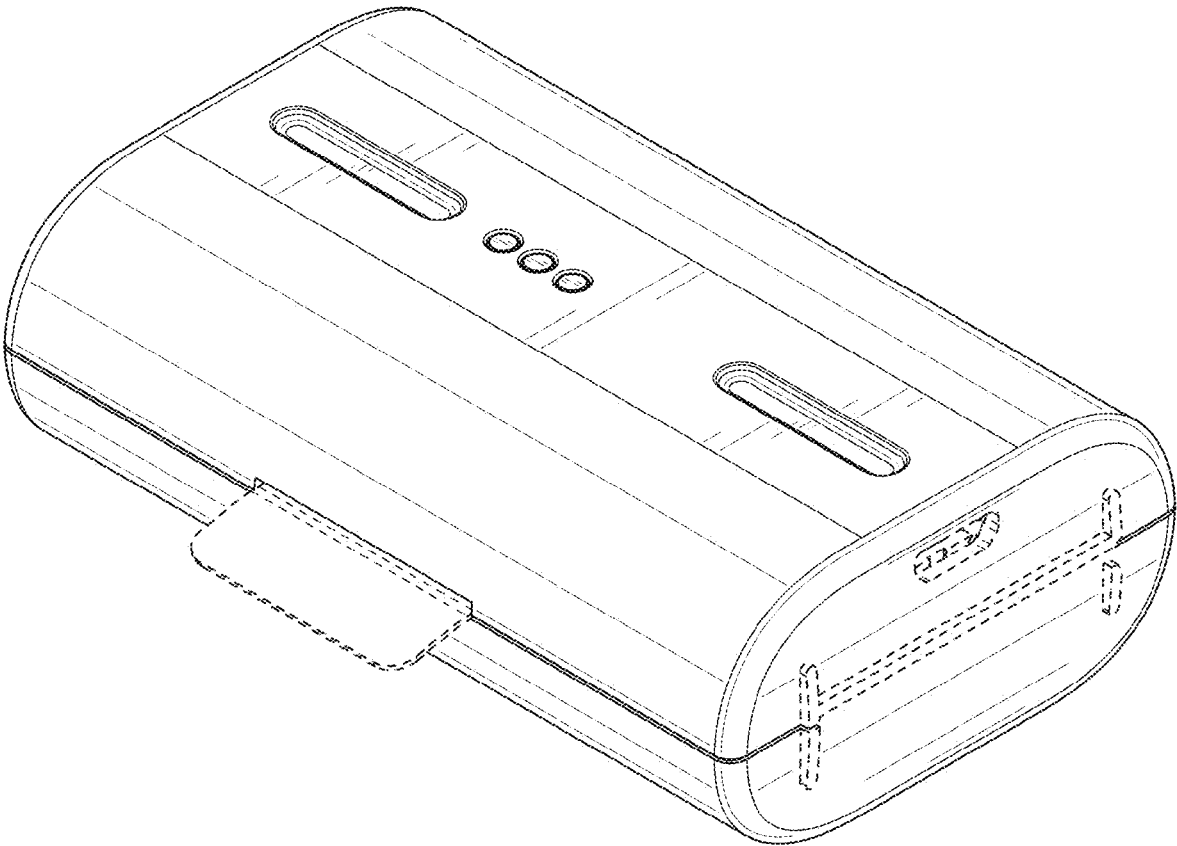


FIG. 1

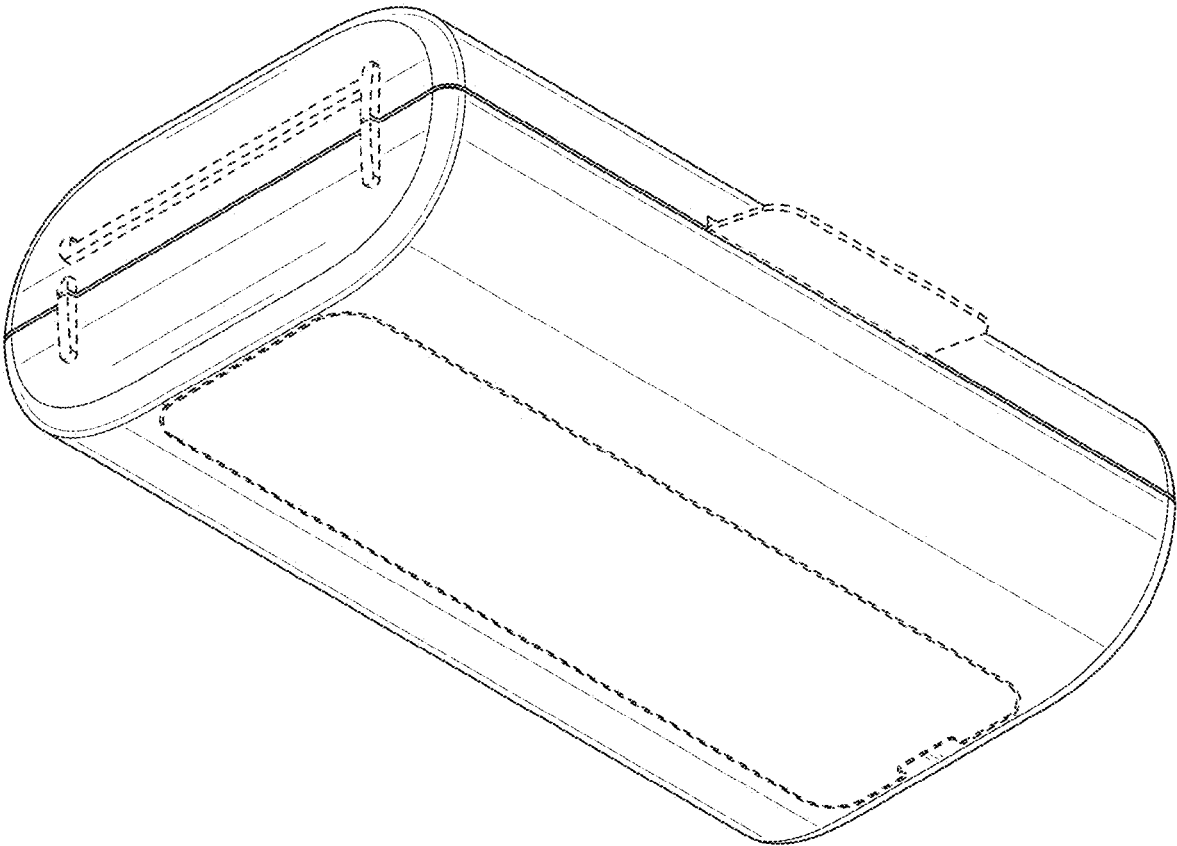


FIG. 2

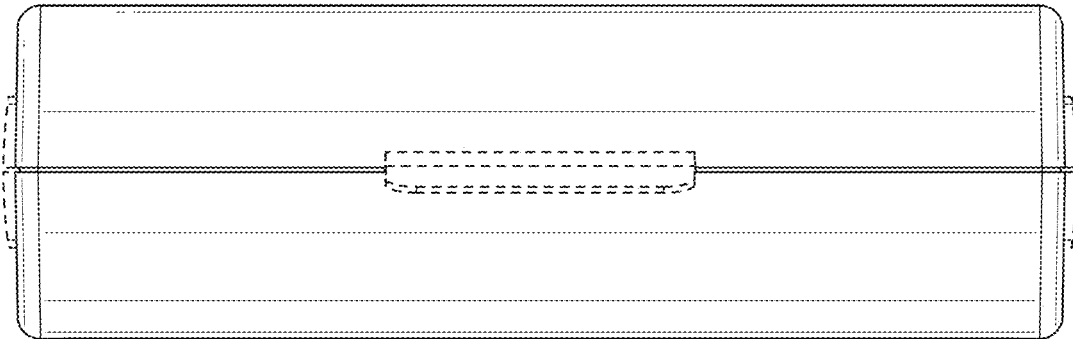


FIG. 3

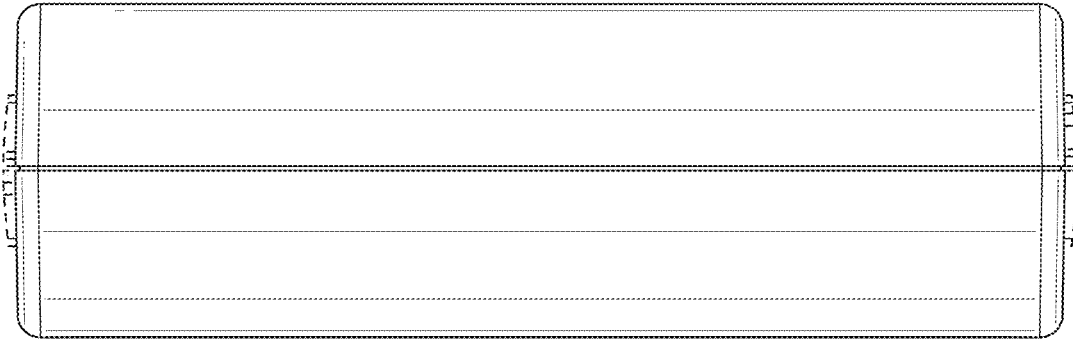


FIG. 4

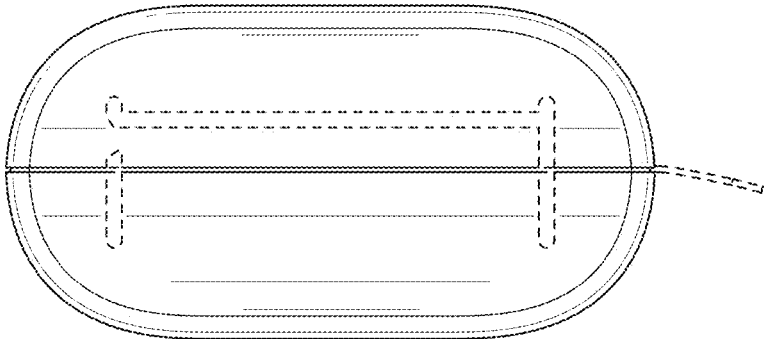


FIG. 5

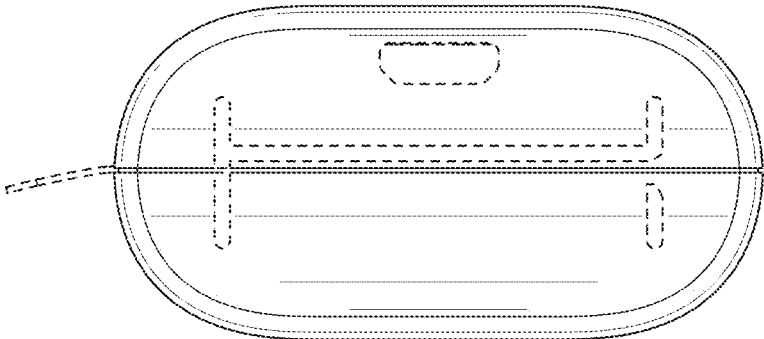


FIG. 6

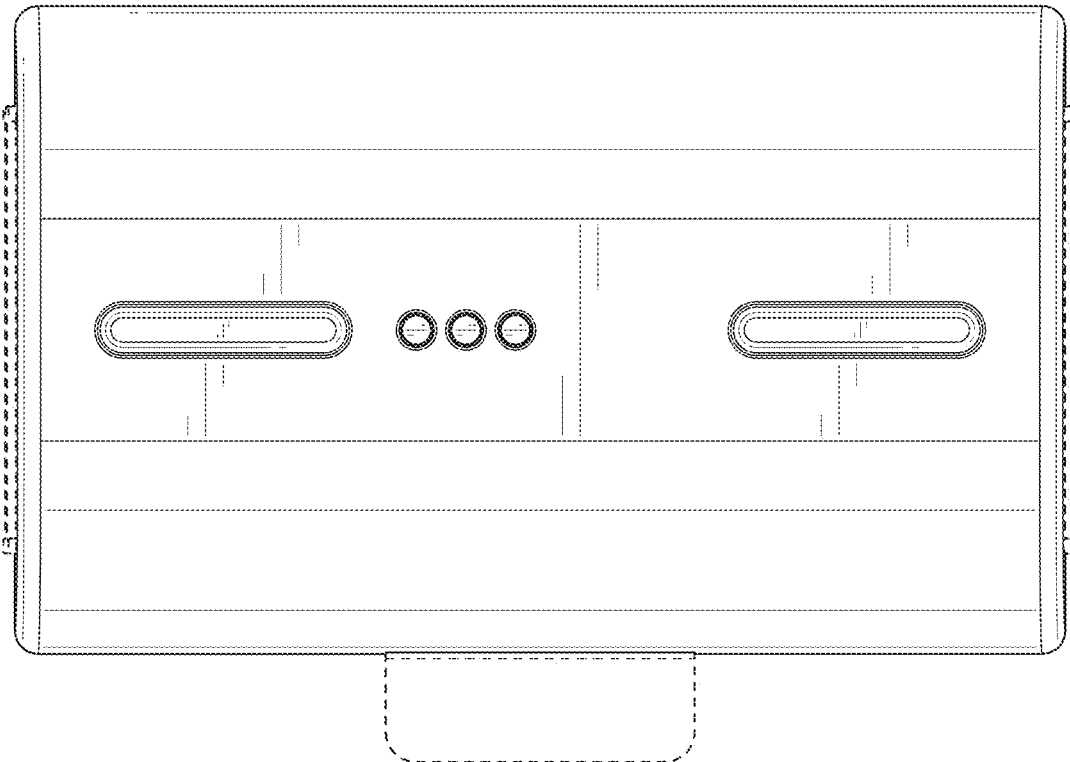


FIG. 7

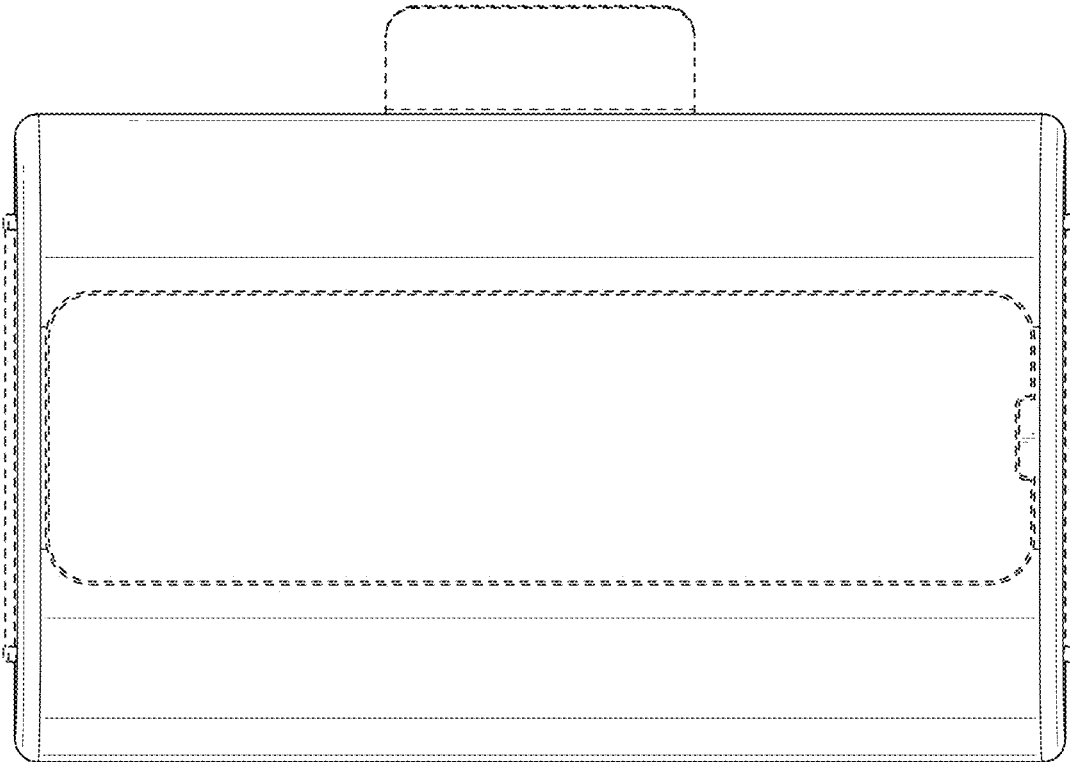


FIG. 8