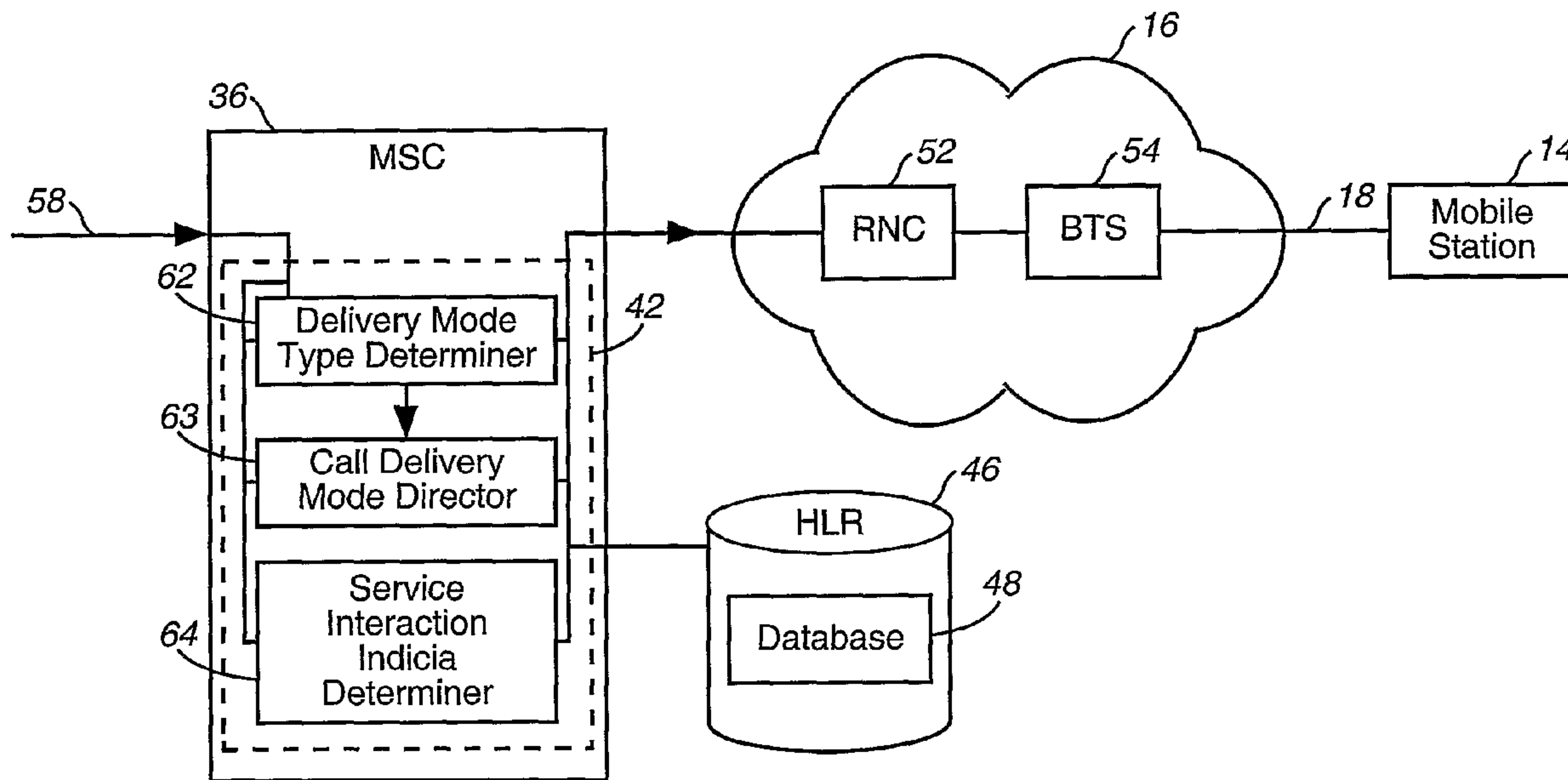




(86) Date de dépôt PCT/PCT Filing Date: 2002/06/06
 (87) Date publication PCT/PCT Publication Date: 2002/12/19
 (45) Date de délivrance/Issue Date: 2007/04/24
 (85) Entrée phase nationale/National Entry: 2003/04/16
 (86) N° demande PCT/PCT Application No.: IB 2002/002068
 (87) N° publication PCT/PCT Publication No.: 2002/102041
 (30) Priorité/Priority: 2001/06/11 (US09/878,828)

(51) Cl.Int./Int.Cl. *H04M 3/42* (2006.01),
H04L 12/28 (2006.01), *H04L 12/56* (2006.01),
H04Q 7/38 (2006.01)
 (72) Inventeur/Inventor:
 FRY, GEORGE E., US
 (73) Propriétaire/Owner:
 NOKIA CORPORATION, FI
 (74) Agent: SIM & MCBURNEY

(54) Titre : APPAREIL ET PROCEDE ASSOCIE POUR EFFECTUER UN SERVICE DE TRANSMISSION DE DONNEES SELON UN MODE DE PRESTATION DE SERVICE
 (54) Title: APPARATUS, AND ASSOCIATED METHOD, FOR EFFECTUATING A DATA SERVICE DESIGNATED BY A SERVICE DELIVERY MODE



(57) **Abrégé/Abstract:**

Apparatus (42), and an associated method, for facilitating routing of a data service call (158) in which background and foreground service delivery modes are defined. A delivery mode type determiner (62) determines the service delivery mode associated with the data service. If the service delivery mode is a background delivery mode, the data service is effectuated with the intended receiving station (14) instead of being redirected pursuant to a call forwarding, or other service interaction indicia, feature.

DOCKET NC17547

26

ABSTRACT

Apparatus (42), and an associated method, for facilitating routing of a data service call (158) in which background and foreground service delivery modes are defined. A delivery mode type determiner (62) determines the service delivery mode associated with the data service. If the service delivery mode is a background delivery mode, the data service is effectuated with the intended receiving station (14) instead of being redirected pursuant to a call forwarding, or other service interaction indicia, feature.

APPARATUS, AND ASSOCIATED METHOD, FOR EFFECTUATING A DATA
SERVICE DESIGNATED BY A SERVICE DELIVERY MODE

5 TECHNICAL FIELD OF THE INVENTION

The present invention relates generally to a manner
by which to provide data generated pursuant to a data
service to a receiving station, such as a mobile station
10 operable in a cellular, or other radio, communication
system. More particularly, the present invention relates
to apparatus, and an associated method, by which the data
service, designated by a service delivery mode, is
selectably routed to the receiving station. Routing is
15 dependent upon the designated service delivery mode and,
selectively, also upon a service interaction indicia,
such as a call forwarding or do-not-disturb indicia,
associated with the receiving station. When the service
delivery mode is a background mode, the data service is
20 selectively effectuated with the receiving station
irrespective of the service interaction indicia
associated with the receiving station.

BACKGROUND OF THE INVENTION

Telephonic communication is a necessary adjunct of modern society. The ability to effectuate telephonic communications between two, or more, communication stations by way of a telephonic network permits telephonic communications to be effectuated between the communication stations irrespective of their respective positions. Telephonic communication permits the effectuation of both voice services and data services.

Telephonic networks have been installed throughout significant portions of the populated areas of the world. Communication stations connected to the telephonic network are used to effectuate the communication therethrough. A calling party utilizing an originating communication station initiates a communication session to be terminated with a receiving party at a receiving station. In a conventional telephonic network, initiation at the originating station of the communication service is made by the originating party entering dialing digits associated with the intended receiving station pursuant to a call request. The telephonic network interprets the dialing digits and alerts the receiving station of the call request. A receiving party positioned at the receiving station accepts the call request, such as by taking the receiving station "off-hook." The communication service is then effectuated between the originating station and the receiving station by way of the telephonic network.

More recently, cellular, and other radio, communication systems have also been installed to encompass significant portions of the populated areas of

the world. The cellular communication systems include network infrastructures which are connected to conventional, wire line telephonic communication systems. A mobile station operable in a cellular, or other radio, communication system communicates by way of radio links with the network infrastructure of the cellular communication system.

A user of a mobile station is able to originate, or to receive, telephonic communications with another communication station. The other communication station can be formed of a conventional wire line station or another mobile station. Because a communication path extending to, and from, the mobile station is formed upon a radio link, wire line connections, conventionally required to connect a conventional wire line station to a telephonic network, are obviated. Increased communication mobility is, therefore, inherent in a cellular, or other radio, communication system. While a mobile station is a radio transceiver, mobile stations are generally constructed to mimic the operation of a conventional, wire line communication station. A user of a mobile station communicates telephonically in manners analogous to the manners by which a user of a conventional wire line communication station is used pursuant to a communication session.

Advancements in communications, and processing technologies, have permitted the implementation of additional features and services associated with communications effectuated by way of a telephonic network. Telephonic switches, and other control devices, are regularly constructed, for instance, to provide for specialized delivery services, such as call forwarding

and do-not-disturb services. Such services are provided both in conventional wire line telephonic systems, as well as cellular, and other radio, systems. The additional features and services are generally provided pursuant to a service subscription in which the user, i.e., the subscriber, subscribes to the additional communication services pursuant to a subscription plan.

A do-not-disturb service is a call control service. When a do-not-disturb feature is activated pursuant to a service subscription, a call, intended to be terminated at the communication station associated with the subscription is not delivered to the communication station. Analogously, call forwarding services, such as call forwarding-busy (CFB), call forwarding-default (CFD), call forwarding-no answer (CFNA), and call forwarding-unconditional (CFU) are call redirection services. When a call forwarding feature is activated pursuant to a service subscription, a call, intended to be terminated at the station associated with the subscription is, instead, forwarded to another communication station. That is to say, the call requesting the effectuation of the communication service is redirected to another terminating end point.

The aforementioned services and features were initially implemented with respect to voice services. Increasingly, however, telephonic systems, both wire line systems and cellular, and other radio systems, are used to effectuate data services. While voice services are user-specific, data services are not necessarily so. Data services are, instead, sometimes communication station-specific rather than user-specific. The availability of the subscriber, or other user, of the

communication station is not necessarily required for the effectuation of a data service which is communication station-specific. Conventional systems in which the do-not-disturb and call forward services are activated, 5 however, automatically redirect a data-service call and thereby prevent delivery of the data service to the intended receiving communication station.

An improved manner by which to effectuate a data service in a communication system which provides such 10 additional subscription services would, therefore, be advantageous.

It is in light of this background information related to the effectuation of data services in a communication system that the significant improvements of 15 the present invention have evolved.

SUMMARY OF THE INVENTION

The present invention, accordingly, advantageously provides apparatus, and an associated method, by which to provide data generated pursuant to a data service to a receiving station, such as a mobile station operable in a cellular, or other radio, communication system.

Through operation of an embodiment of the present invention, a manner is provided by which the data service, designated by a service delivery mode, is selectably routed to the receiving station. Routing is dependent upon the designated service delivery mode and, selectably, also service interaction indicia, such as a call forwarding or do-not-disturb indicia associated with the receiving station. Selection of whether to route the data service to the receiving station or to redirect the data service to another terminating endpoint, is dependent upon the designated service delivery mode and, selectably, also service interaction indicia. Service interaction indicia include, for example, values of a call forwarding indicia or do-not-disturb indicia associated with the receiving station.

An embodiment of the present invention describes a methodology which permits background delivery of services in the presence of service interaction flags which would normally prevent the receiving station from being contacted regarding the communication service. When such flags are set, conventionally, the receiving station is not contacted regarding delivery of the communication service, and the communication service is not effectuated with the receiving station.

In one aspect of the present invention, a service delivery mode is associated with a communication service

initiated by an originating station. The service delivery mode is associated with a particular communication session. Alternately, the service delivery mode is associated with the originating station, and every communication session initiated by the originating station is associated with the particular service delivery mode. Determination of the service delivery mode is made pursuant to call initiation procedures. Responsive to the determination of the service delivery mode, inquiry is selectably also made of the values of the service interaction indicia, such as values of the call forwarding and do-not-disturb service indicia. The service delivery mode associated with the communication service is of a selected one of at least two delivery modes, a background service delivery mode and a foreground service delivery mode.

A background service delivery mode is associated with a communication service in which delivery of the communication service is effectuable without the attention or interaction of a receiving party located at the receiving station. The receiving party need not be aware of the effectuation of the communication service. When a background service delivery mode is associated with the communication service, the service interaction indicia, e.g., indicia associated with call forwarding and do-not-disturb features, need not be determined, and the communication service need not be redirected to a terminating endpoint other than the intended receiving station. That is to say, some communication services are communication-station specific, rather than user-specific. By associating a background service delivery mode with the communication services which are communication station-specific, delivery of the

communication service to the intended receiving station is effectuable irrespective of the availability of the receiving party to accept, or otherwise take delivery of, the communication service.

5 A foreground delivery service mode is also defined. Communication services which require the acceptance of, or interaction with, the receiving party, remain constrained by the service interaction indicia values. That is to say, when a communication service is user-
10 dependent, normal call forwarding and do-not-disturb procedures are followed. That is, when a communication service requires foreground delivery, determination is made of the service interaction indicia values to determine whether the service interaction features are
15 activated. If so, the communication service is redirected to another terminating endpoint or the communication service is not effectuated.

In another aspect of the present invention, additional service delivery modes are defined. A
20 maintenance mode is associated with certain communication services which, when effectuated, function to maintain the receiving station. Because such a communication service is communication station-specific, when the service delivery mode is identified to be a maintenance
25 delivery mode, the communication service is effectuated with the intended receiving station irrespective of the setting of the service interaction indicia. Analogously, a diagnostic service delivery mode is also defined. A diagnostic service delivery mode is also a communication
30 station-specific mode. That is, when a communication service is designated by a diagnostic delivery mode, the communication service is effectuated with the intended receiving station irrespective of the values of the

service interaction indicia. Additional service delivery modes can analogously be further defined.

Through definition of a background service delivery mode and a foreground service delivery mode, a receiving party, network operator, and a service provider are all able to discriminate which services are to be delivered to the receiving station or other terminating endpoint. Improved communications in a communication system in which an embodiment of the present invention is implemented are possible as communication services are selectively effectuable with an intended receiving station in a background mode without interaction with a receiving party.

In one implementation, service delivery modes are defined in a cellular or PCS (personal communication service) and associated with communication services to be effectuated with a mobile station operable therein. When a background service delivery mode is associated with the communication service, the communication service is effectuated with the receiving station, i.e., the mobile station, irrespective of whether a receiving party is available at the mobile station to accept delivery, and effectuation, of the communication service. A foreground service delivery mode is also defined. When a foreground delivery mode is associated with a communication service, determination is further made as to whether a service interaction indicia is activated, such as a call forwarding or a do-not-disturb feature. Responsive to the actuation of the service interaction feature, routing of the communication service is redirected or terminated, as appropriate, if the receiving party is unable to accept the communication service.

Therefore, the present invention provides apparatus for a communication system having an originating station at which a data-service call is originated, the data-service call to be terminated at an intended terminating station, said apparatus for selectably facilitating routing of the data-service call to a terminating endpoint, the terminating endpoint selected responsive to at least a delivery mode type, said apparatus comprising:

10 a delivery-mode-type determiner operable responsive to detection of initiation of the data-service call, said delivery-mode-type determiner for determining, with respect to the intended terminating station, the delivery mode type associated with the data-service call; and

15 a call delivery director coupled to said delivery-mode-type determiner, said call delivery director for directing the data-service call to the terminating endpoint, the terminating endpoint formed of the intended terminating station when the delivery mode type determined by said delivery-mode-type determiner comprises a background mode delivery type.

The present invention also provides a method for communicating in a communication system having an origination station at which a data-service call is originate, the data-service call to be terminated at an intended terminating station, said method for selectably facilitating routing of the data-service call to a terminating endpoint, the terminating endpoint selected responsive to at least a delivery mode type, said method comprising:

assigning the delivery mode type to the data service call;

determining the delivery mode type assigned during said operation of assigning; and

5 soliciting the terminating endpoint to which to direct the data service call, the terminating endpoint formed of the intended terminating station when the delivery mode type determined during said operation of determining comprises a background mode delivery type.

10 A more complete appreciation of the present invention and to the scope thereof can be obtained from the accompanying drawings which are briefly described below in the following detailed description of the presently preferred embodiments of the invention, and
15 the appended claims.

BRIEF DESCRIPTION OF THE DRAWINGS

Figure 1 illustrates a functional block diagram of an exemplary communication system in which an embodiment
5 of the present invention is implemented.

Figure 2 illustrates a functional block diagram of a portion of the communication system shown in Figure 1.

Figure 3 illustrates an exemplary data base created and accessed during operation of an embodiment of the
10 present invention.

Figure 4 illustrates a message sequence diagram illustrating the signaling generated during operation of an embodiment of the present invention.

Figure 5 illustrates a method flow diagram listing
15 the method of operation of the method of an embodiment of the present invention.

DETAILED DESCRIPTION OF THE DRAWINGS

Referring first to Figure 1, a communication system, shown generally at 10, is operable to effectuate a data service pursuant to a communication session between an originating station 12 and an intended receiving station, here a mobile station 14. In the exemplary implementation shown in the figure, the mobile station 14 is operable pursuant to the so-called 2G, 2.5G, and 3G (third generation) cellular communication systems which provide for the communication of data which effectuates performance of a data service. In other implementations, the mobile station is operable in other cellular, and other radio, communication systems. And, in another implementation, the receiving station, here formed of the mobile station 14, is, instead, formed of a wire line communication station.

The communication system includes a network portion including a radio part, here formed of a radio access network (RAN) 16. The radio access network is also generally operable pursuant to the 2G, 2.5G, and/or 3G cellular communication standard, thereby to be operable to communicate with the mobile station 14 by way of the radio link 18.

Elements of the radio access network 16 define cells which form coverage areas within which communications with mobile stations, such as the mobile station 14, are permitted. In the figure, a single cell 22 is shown. In an actual implementation, a large number of cells are defined by the radio access network.

The communication system further includes a public network 24, here representative of a PSTN (public-switched telephonic network) and PDN (packet data

network), such as the internet backbone. The public network is connected to the radio access network by way of a gateway (GW) 34 and a mobile switching center (MSC) 36. The mobile switching center is utilized for circuit switched connections, and the gateway 34 is utilized for packet-switched connections.

In the exemplary implementation shown in the figure, the originating station 12 is coupled to the public network 24. And, a communication path is formable between the originating station and the mobile station by way of the gateway or mobile switching center, the radio access network, and the radio link, thereby to permit a data service originated at the originating station to be delivered to the mobile station forming the receiving station. Communications originated at the mobile station to be delivered to the station 12 are also communicated upon the same communication path. And, while for some purposes of explanation, description of exemplary operation of an embodiment of the present invention shall be with respect to communications originated at the station 12, communications can analogously be originated at the mobile station 14.

Figure 2 illustrates portions of the communication system 10 illustrating the elements forming the apparatus 42 of an embodiment of the present invention. The elements are functionally represented and here are located at the mobile switching center 36. In other implementations, the elements are alternately positioned elsewhere, such as within the radio access network, or distributed at both the mobile switching center and the radio access network, as well as elsewhere.

The mobile switching center is coupled to a home location register (HLR) 46 which includes a database 48 of an embodiment of the present invention.

The mobile switching center is also coupled to a plurality of radio network controllers (RNC), of which a single RNC 52 is shown in the Figure, which are embodied at the radio access network 16. The radio network controller controls operation, for instance, of a plurality of base transceiver stations, also of which a single base transceiver station (BTS) 54 is shown in the figure. The connection of the mobile station 14 to a base transceiver station upon a radio link 18 is here indicated by the commonly-referenced segment 18. And, the arrow 58 is representative of a request generated by an originating station (e.g., the originating station 12 shown in Figure 1) to initiate effectuation of a data service with the intended receiving station, here formed of the mobile station 14 as well as the data which is to be communicated to the mobile station pursuant to effectuation of the data service.

In one implementation, as part of the request generated on the line 58, the originating station provides an indication of a service delivery mode by which the data service of the request is to be delivered. The service delivery mode is a selected one of at least two different types of service delivery modes, a background delivery mode and a foreground delivery mode. A background delivery mode is a mode which permits effectuation of a data service with a receiving station irrespective of the availability of a receiving party to accept delivery of a data service. Conversely, a foreground delivery mode is associated with a data service associated more with the receiving party than the

receiving station to which the data service is initially requested to be routed. That is to say, a data service associated with a background delivery mode may be communication station-specific, while a data service associated with a foreground delivery mode is user-specific.

In a further implementation, additional service delivery modes are defined. A maintenance delivery mode is designated when a data service, when effectuated, performs maintenance upon a receiving station. A diagnostic delivery service mode is associated with a data service which, when effectuated, performs a diagnostic service at the receiving station. Both the maintenance and the diagnostic modes are similar to a background service delivery mode in that the data service is a communication station-based service. Analogous to delivery of a data service designated by a background service delivery mode, a data service designated by a maintenance service delivery mode or by a diagnostic service delivery mode is able to be delivered to the receiving station irrespective of the availability of the receiving party at the receiving station.

The apparatus 42 of an embodiment of the present invention is positioned at a control center, here formed of the mobile switching center 36, includes a delivery mode type determiner 62 coupled to the line 58 to detect indications of the service delivery mode associated with the data service initiated by an originating station. In one implementation, the designation of the background delivery service mode is contained in the call request. That is, the designation forms part of the call request and such indication of the designation is provided by the originating station. In another implementation, the

designation of the delivery service mode is associated with the identity of the originating station. And, in another implementation, the delivery service mode to be associated with the originating station is selected by the receiving station. In implementations in which the service delivery mode is associated with the originating station rather than a particular data service, the designation is stored at a database such as the database 48, or other internal or external database accessed by the MSC 42, and indexed together with indicia identifying the originating station. That is, the database 48 is here shown to be located at an HLR (home location register). In other implementations, the database is located elsewhere and accessible by the MSC. For instance, in another implementation, the database is positioned at an entity coupled to the public network 24.

If the determiner 62 determines the request for initiation of the data service to be a background service delivery mode, a maintenance service delivery mode, or a diagnostic service delivery mode, call set-up procedures continue with the intended receiving station and the data service is effectuated with the intended receiving station. If one or more service interaction flags are set, the intended receiving station is instructed, through appropriate means, not to produce an audible or other alert to the user. The mobile station is formed pursuant to the page message, or pursuant to a service negotiation procedure, that a background service is requested. Because a background service is requested, the user of the mobile station is not alerted, such as through generation of an audible tone, of the request. If, conversely, the determiner 62 determines the data service to be designated to be effectuated in a

foreground service delivery mode, the availability of the receiving party at the receiving station to accept delivery of the data service is required.

Responsive to the initiation of the request, a page message is generated and routed to the receiving station. A call delivery director 63 is operable, responsive to determinations made by the determiner 62 to cause generation of the page message and other call set-up procedures. If a page response does not indicate that the receiving party is located at the intended receiving station to accept delivery of the data service, a service interaction indicia determiner 64 is operable to determine the settings of service interaction flags associated with the receiving station. Service interaction indicia is associated, for instance, with call forwarding and do-not-disturb features to which a receiving party subscribes pursuant to a service subscription plan. The call forwarding features include, for instance, call forwarding-busy (CFB), call forwarding-default (CFD), call forwarding-no answer (CFNA), and call forwarding-unconditional (CFU) features. Responsive to values of the service interaction indicia, the call request is selectably routed to another terminating endpoint, such as another receiving station or a store and forward location.

Thereby, by defining a service delivery mode with the data service, improved communications in the communication system are possible. Because a background service delivery mode is defined, delivery of a data service to an intended receiving station is permitted even in the event that a receiving party is unable to accept delivery of the data service and the service

interaction indicia indicates that a normal call request would be rerouted to another terminating endpoint.

Figure 3 illustrates the database 48 maintained, here, at a home location register 46 (shown in Figure 2). Here, a first exemplary database entry 72 is shown. The database entry identifies an identity of a receiving station, here a mobile station identifier 74. Indexed together with the identifier are flag settings 76, 78, 82, 84, and 86. The flag settings correspond to do-not-disturb, CFB, CFD, CFNA, and CFU settings selected by a receiving party associated with the mobile station pursuant to a service subscription.

When a call request is made to effectuate a data service in which the service delivery mode comprises a foreground mode, values of the flag settings are determined by the service interaction indicia determiner when the call set-up can be effectuated with the intended receiving station. The entry 72 here further includes a service delivery mode flag 88 associated with an originating station. In an implementation in which the receiving station determines the service delivery mode to be associated with an originating station, the service delivery mode associated with the originating station is identified in the database.

The database here includes another exemplary database entry 94, here indexing together an originating station identification 96 and a service delivery mode 98 to be associated therewith. Such a database entry is used when a service delivery mode is associated with every data service provided by an originating station.

Figure 4 illustrates a message sequence diagram, shown generally at 102, representative of signaling generated during operation of the communication system 10

shown in Figures 1 and 2. When a data service originated by an originating station 12 is to be effectuated with a receiving station, here the mobile station 14, a request, such as a call request, is generated, indicated by the
5 segment 104, by the originating station. The request is routed through the network of the communication system to the mobile switching center 36, or other control center. Once received, determination is made of the service delivery mode associated with the request. An indication
10 of the service delivery mode, in one implementation, is contained in the request. In other implementations, the determination of the service delivery mode requires access to a database at which such information is stored.

Determination of values of the service interaction
15 indicia, such as whether call forwarding or do-not-disturb features are activated, is also made. Inquiry is made of the database 48, located at the HLR, or elsewhere to determine the values. The inquiry to the database is indicated by the segment 106. And the segment 108
20 indicates the response to the inquiry.

Once the service delivery mode and the values of the service interaction indicia are known, a determination, indicated by the block 112, is made as to whether a page message should be generated to the mobile station. The
25 page message includes indication of the service delivery mode. The transmission of the page message is indicated in the Figure by the segment 114.

Figure 5 illustrates a method flow diagram, shown generally at 134, of an embodiment of the present
30 invention. The method 134 facilitates routing of a data service call to a terminating endpoint. And, as indicated by the block 136, a delivery mode type is assigned to the data service call. Then, and as

indicated by the block 138, the delivery mode type assigned to the data service call is determined.

Thereafter, and as indicated by the block 142, a terminating endpoint to which to direct the data service
5 call is selected. The terminating endpoint is formed of the intended terminating station when the delivery mode type is a background mode delivery type.

Thereby, improved communications in a communication system are possible as a data service call need not be
10 redirected to a terminating endpoint other than the intended receiving station if the service delivery mode is a background mode.

The preferred descriptions are of the preferred examples for implementing the invention, and the scope of
15 the invention should not necessarily be limited by this description. The scope of the present invention is defined by the following claims.

What is claimed is:

1. Apparatus for a communication system having an
originating station at which a data-service call is
5 originated, the data-service call to be terminated at an
intended terminating station, said apparatus for
selectably facilitating routing of the data-service call
to a terminating endpoint, the terminating endpoint
selected responsive to at least a delivery mode type,
10 said apparatus comprising:

a delivery-mode-type determiner operable responsive
to detection of initiation of the data-service call,
said delivery-mode-type determiner for determining, with
respect to the intended terminating station, the
15 delivery mode type associated with the data-service
call; and

a call delivery director coupled to said delivery-
mode-type determiner, said call delivery director for
directing the data-service call to the terminating
20 endpoint, the terminating endpoint formed of the
intended terminating station when the delivery mode type
determined by said delivery-mode-type determiner
comprises a background mode delivery type.

25 2. The apparatus of claim 1 further comprising:

a service interaction indicia determiner selectably
operable responsive to the delivery mode type
determiner, said service interaction indicia determiner
for determining a first service interaction indicia
30 value; and wherein,

said call delivery director is further coupled to
said service interaction indicia determiner, the

terminating endpoint formed of an other terminating station when the delivery mode type determined by said delivery-mode-type determiner comprises foreground delivery mode type and the first service interaction
5 indicia value is of a first selected value.

3. The apparatus of claim 2 wherein the data-service call comprises an equipment-related call pertaining to the intended terminating station and wherein the
10 terminating endpoint is formed of the intended terminating station when the data-service call comprises the equipment-related call.

4. The apparatus of claim 3 wherein the delivery mode
15 type associated with the equipment-related call comprises a maintenance mode, and wherein said call delivery director directs the equipment-related call to the intended terminating station when the delivery mode determined by said delivery-mode-type determiner
20 comprises the maintenance mode and wherein the first service interaction indicia value determined by said service interaction indicia determiner is of the first selected value.

25 5. The apparatus of claim 3 wherein the delivery mode type associated with the equipment-related call comprises a diagnostic mode and wherein said call delivery director directs the equipment related call to the intended terminating station when the delivery mode
30 determined by said delivery-mode-type determiner comprises the diagnostic mode and wherein the first service interaction -indicia-value-determined by said

service interaction indicia determiner is of the first selected value.

5 6. The apparatus of claim 3 wherein said call delivery director prohibits delivery of the equipment related call to the terminating endpoint when the first service interaction indicia value determined by said service interaction indicia determiner is of a value other-than-the-first related value.

10

7. The apparatus of claim 1 wherein the communication system comprises a radio communication system having a control center for controlling communications therein, wherein the intended terminating station comprises a mobile station and wherein said delivery-mode-type determiner is embodied at the control center.

15

8. The apparatus of claim 7 wherein said call delivery director is embodied at the control center.

20

9. The apparatus of claim 2 further comprising a database accessible by said service interaction indicia determiner, said database for maintaining a directory of the first service interaction indicia value indexed together with a terminating station identifier, determination of the first service interaction indicia value by said service interaction indicia determiner made by accessing the database.

25

30 10. The apparatus of claim 9 wherein the first service interaction value maintained at said database indicates whether a call forwarding feature is associated with the

intended terminating station.

11. The apparatus of claim 9 wherein the first service interaction value maintained at said database indicates whether a do-not-disturb feature is associated with the intended terminating station.

12. The apparatus of claim 1 wherein said call delivery director comprises a page message generator, said page message generator for generating a page message which pages the terminating endpoint of the pending data-service call.

13. The apparatus of claim 12 wherein the page message includes an indication of the delivery mode type determined by said delivery-mode-type determiner

14. The apparatus of claim 1 wherein the delivery mode type associated with the data-service call is provided to said delivery-mode-type determiner.

15. The apparatus of claim 1 further comprising a database accessible by said delivery-mode-type determiner, said database for maintaining a directory of the delivery mode type indexed together with an originating station identifier.

16. A method for communicating in a communication system having an origination station at which a data-service call is originated, the data-service call to be terminated at an intended terminating station, said method for selectably facilitating routing of the data-

service call to a terminating endpoint, the terminating endpoint selected responsive to at least a delivery mode type, said method comprising:

5 assigning the delivery mode type to the data service call;
determining the delivery mode type assigned during said operation of assigning; and,
10 soliciting the terminating endpoint to which to direct the data service call, the terminating endpoint formed of the intended terminating station when the delivery mode type determined during said operation of determining comprises a background mode delivery type.

17. The method of claim 16 wherein the delivery mode type assigned during said operation of assigning
15 comprises the background mode delivery type.

18. The method of claim 16 wherein the delivery mode type assigned during said operation of assigning
20 comprises a foreground mode delivery type.

19. The method of claim 16 wherein the delivery mode type assigned during said operation of assigning
comprises a maintenance mode delivery type.

25

20. The method of claim 16 wherein the delivery mode type assigned during said operation of assigning
comprises a diagnostic mode delivery type.

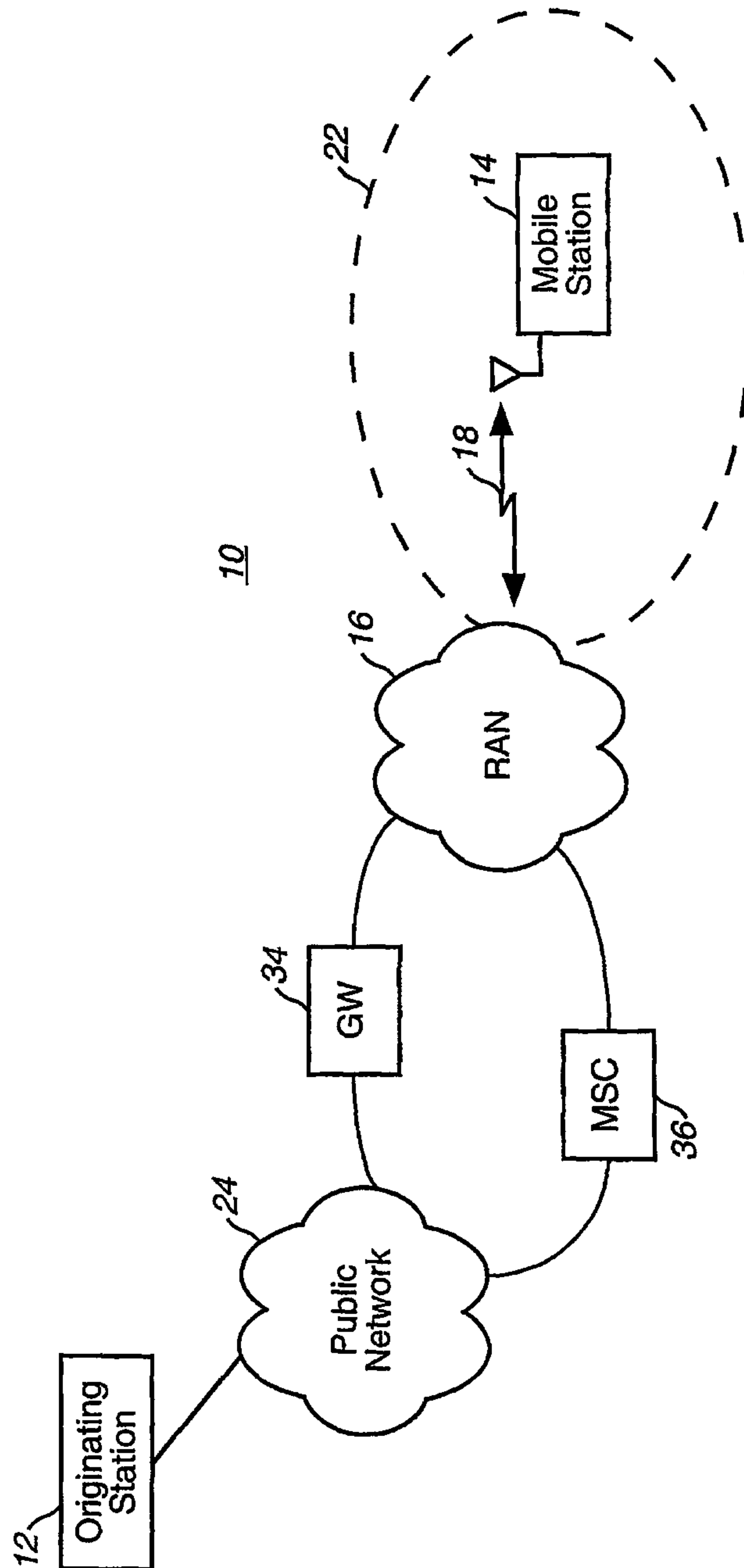


FIG. 1

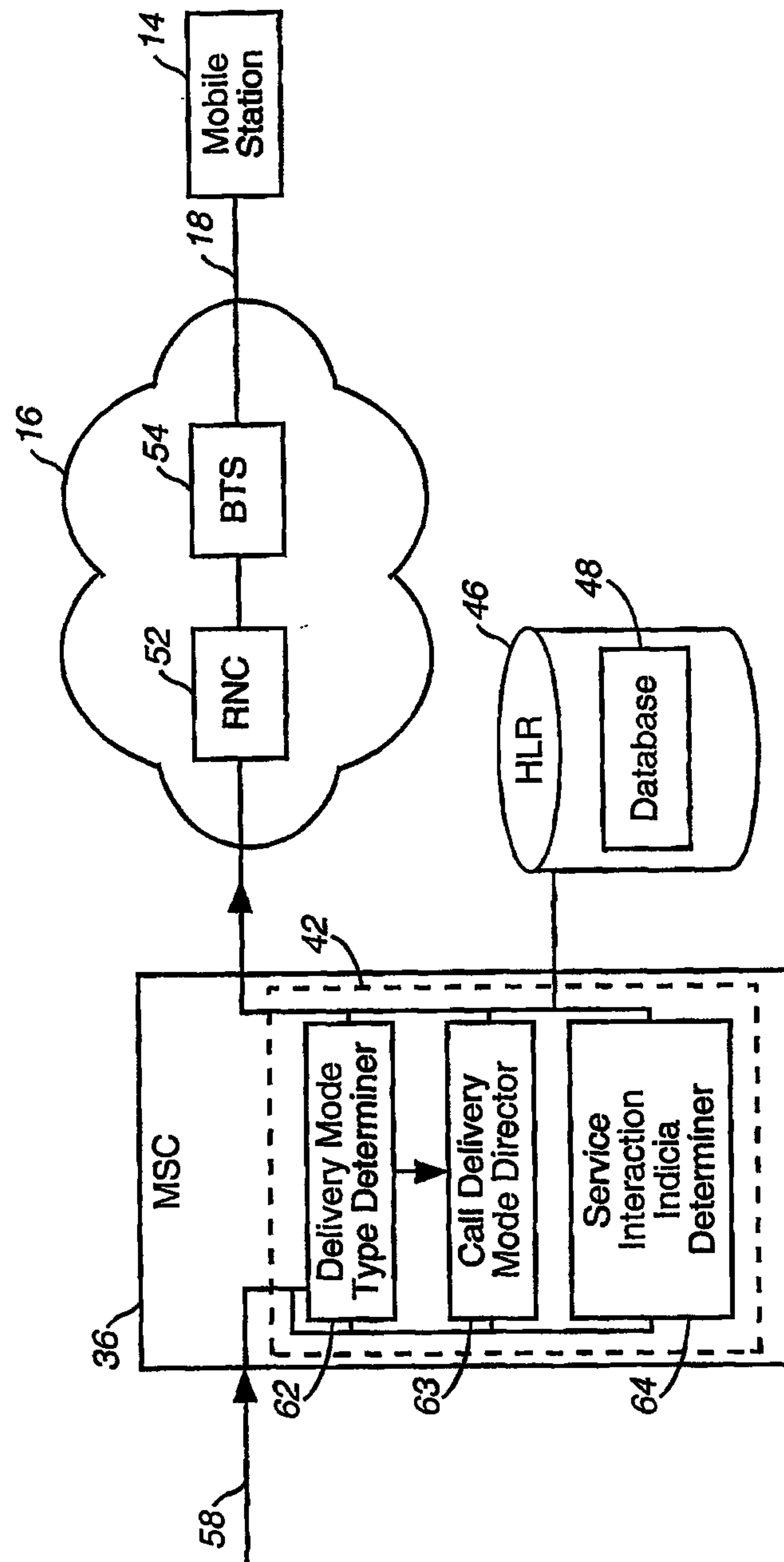


FIG. 2

3/4

48

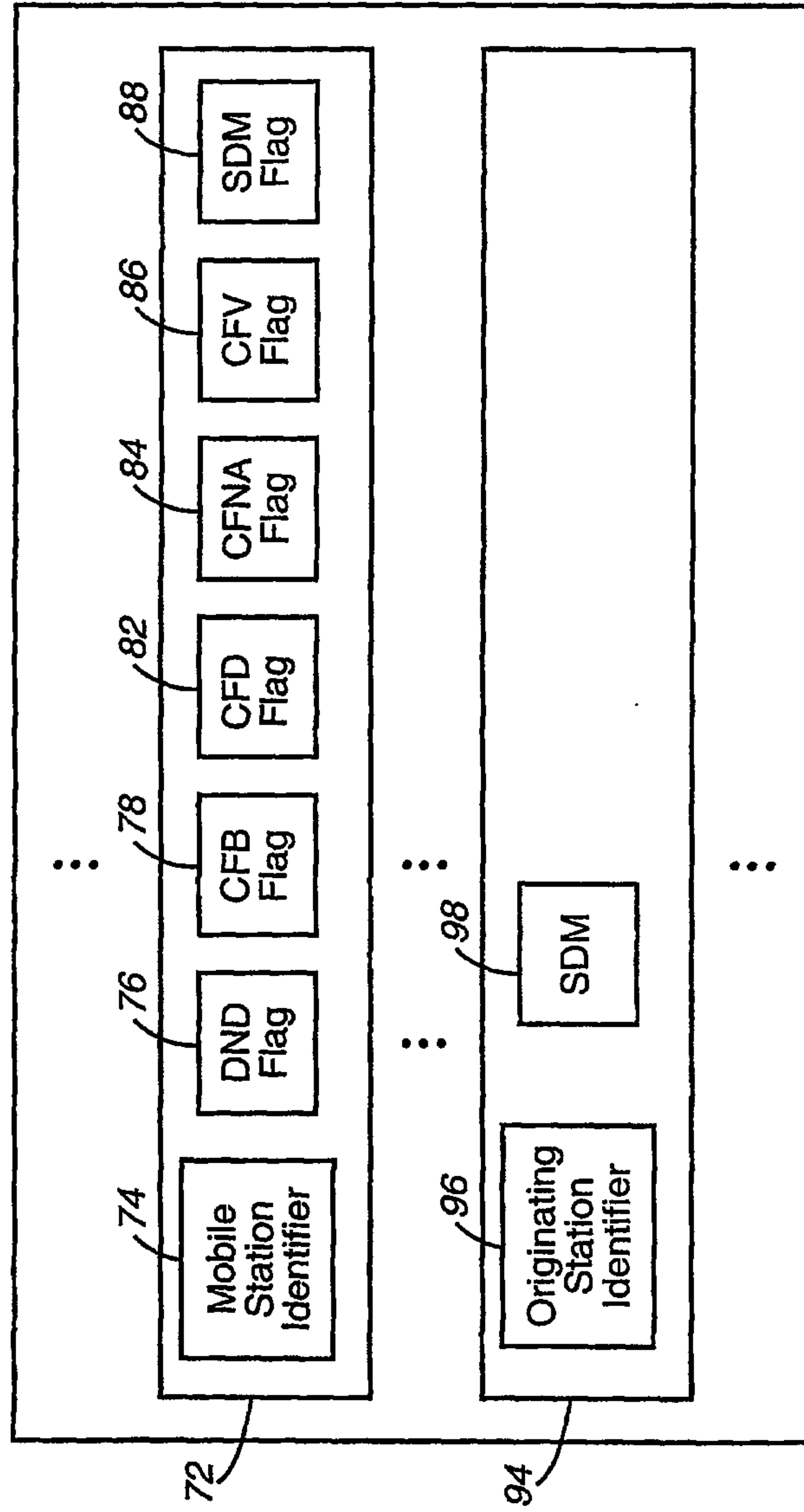


FIG. 3

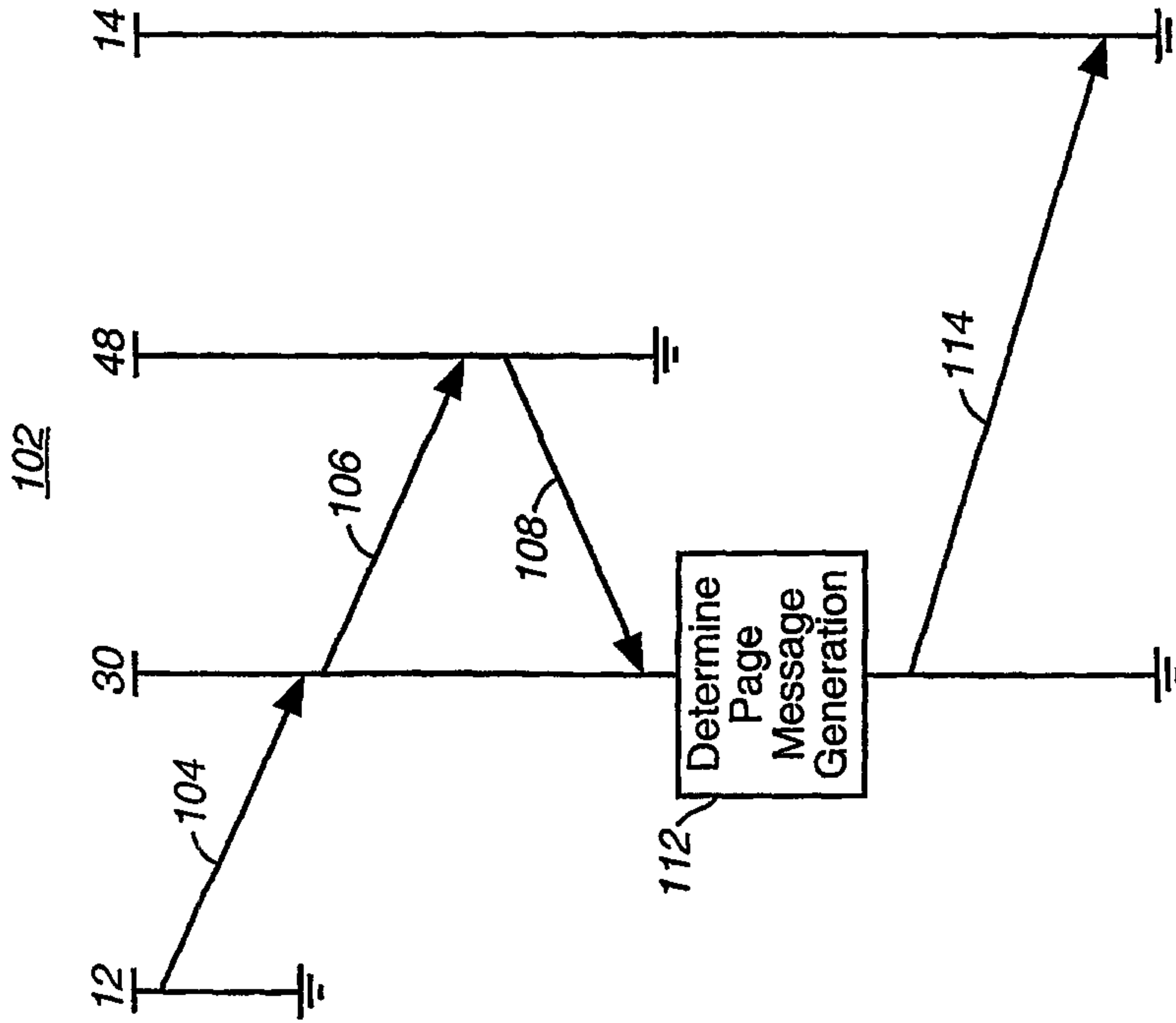


FIG. 4

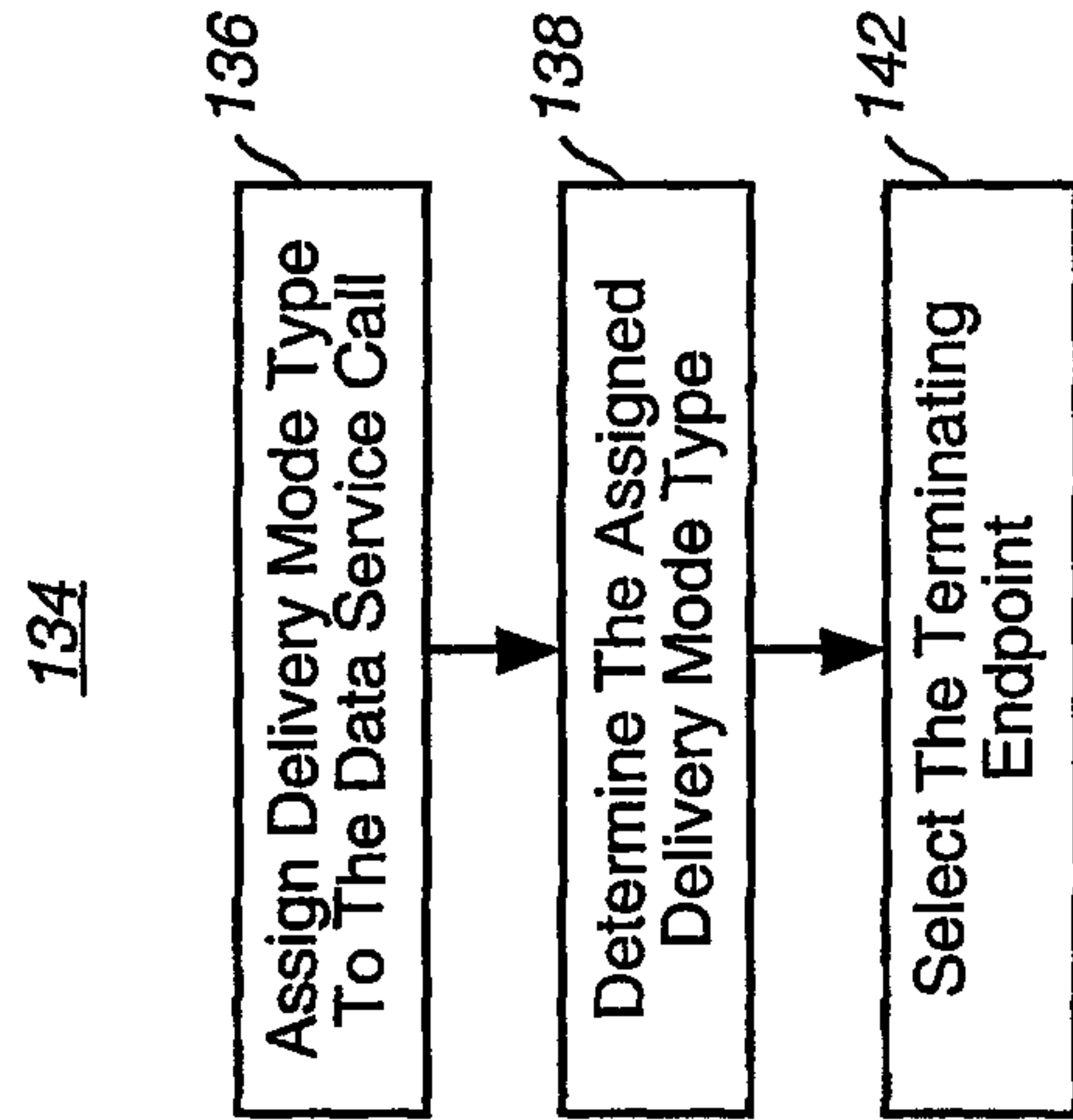


FIG. 5

