



US0D1075751S

(12) **United States Design Patent**
Feng et al.

(10) **Patent No.:** **US D1,075,751 S**

(45) **Date of Patent:** **** May 20, 2025**

(54) **SMART RING**

(71) Applicant: **Shenzhen eIoT Technology Co., Ltd.**,
Shenzhen (CN)

(72) Inventors: **Qincheng Feng**, Shenzhen (CN);
Wenjun Wang, Shenzhen (CN)

(73) Assignee: **Shenzhen eIoT Technology Co., Ltd.**,
Shenzhen (CN)

(**) Term: **15 Years**

(21) Appl. No.: **29/958,250**

(22) Filed: **Aug. 19, 2024**

(30) **Foreign Application Priority Data**

Apr. 26, 2024 (CN) 202430242171.X

(51) **LOC (15) CL.** **14-02**

(52) **U.S. CL.**
USPC **D14/344**

(58) **Field of Classification Search**
USPC D10/30-32, 38, 70; D11/1-6, 26;
D14/138 R, 344; D24/167
CPC G04G 17/00; G04G 17/08; G04G 17/083;
G04G 17/045; G04G 21/00; G04G 21/02;
G04G 21/025; G04G 21/06; G04G 21/08;
G04G 99/006; G06F 1/163; A44C 5/00;
A44C 5/02; A44C 5/022; A44C 5/025;
A44C 5/0007; A44C 5/0015; A44C
5/0046; A44C 5/0053; A44C 5/2052;
A44C 5/2071; A44C 9/00; A44C 9/0053
See application file for complete search history.

(56) **References Cited**

U.S. PATENT DOCUMENTS

D804,471 S * 12/2017 von Badinski D14/344
D817,496 S * 5/2018 Stirn D24/167
D832,734 S * 11/2018 Warren D11/35
D944,679 S * 3/2022 Lopez D11/26

D992,432 S * 7/2023 Lee D24/186
D1,008,068 S * 12/2023 von Badinski D11/26
D1,011,946 S * 1/2024 Lieberman D11/2
D1,016,650 S * 3/2024 Friedman D11/26

(Continued)

FOREIGN PATENT DOCUMENTS

CN 308629157 * 5/2024
CN 309027527 * 12/2024
CN 309063259 * 1/2025

OTHER PUBLICATIONS

Smart Ring Health Tracker, to Monitor Sleep and Heart rate, 5ATM Water Resistant with Bluetooth Fitness Tracker Health Smart Ring, www.globalsources.com, Jun. 24, 2023. https://www.globalsources.com/Smart-ring/Fitness-Sleep-Heart-Rate-Smart-Ring-1212684233p.htm (Year: 2023).*

(Continued)

Primary Examiner — Messina L Smith
Assistant Examiner — Kwabena A. Ankobiah
(74) *Attorney, Agent, or Firm* — Birchwood IP

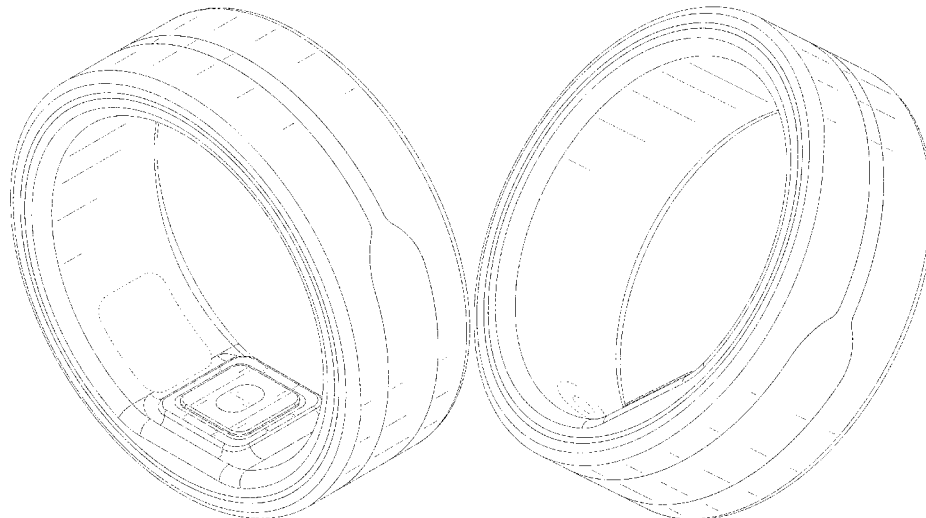
(57) **CLAIM**

The ornamental design for a smart ring, as shown and described.

DESCRIPTION

FIG. 1 is a front, right and top perspective view of a smart ring, showing our new design;
FIG. 2 is a rear, left and bottom perspective view thereof;
FIG. 3 is a front view thereof;
FIG. 4 is a rear view thereof;
FIG. 5 is a left side view thereof;
FIG. 6 is a right side view thereof;
FIG. 7 is a top plan view thereof; and,
FIG. 8 is a bottom plan view thereof.
The broken lines shown in the drawings illustrate portions of the smart ring that form no part of the claimed design.

1 Claim, 8 Drawing Sheets



(56)

References Cited

U.S. PATENT DOCUMENTS

D1,017,446	S	*	3/2024	Kosman	D11/26
D1,017,449	S	*	3/2024	Friedman	D11/26
D1,023,819	S	*	4/2024	Latomäki	D11/26
D1,023,820	S	*	4/2024	Latomäki	D11/26
D1,025,815	S	*	5/2024	Latomäki	D11/26
D1,043,412	S	*	9/2024	Latomäki	D14/344
D1,043,667	S	*	9/2024	Lekaj	D14/344
D1,048,003	S	*	10/2024	Lee	D14/344
D1,051,900	S	*	11/2024	Lee	D14/344
D1,053,189	S	*	12/2024	Gu	D14/344

OTHER PUBLICATIONS

Ringo Smart Ring: ECG & hydration tracking ring, [www.youtube.com](https://www.youtube.com/watch?v=PvFYBNv2j2M), Mar. 10, 2024. <https://www.youtube.com/watch?v=PvFYBNv2j2M> (Year: 2024).*

Battle for smart ring dominance heats up as Chinese players take on Samsung, [www.chosun.com](https://www.chosun.com/english/industry-en/2024/04/17/SD3VX2CO3FHUVPTQKVO3XTQMIM/), Apr. 17, 2024. <https://www.chosun.com/english/industry-en/2024/04/17/SD3VX2CO3FHUVPTQKVO3XTQMIM/> (Year: 2024).*

* cited by examiner

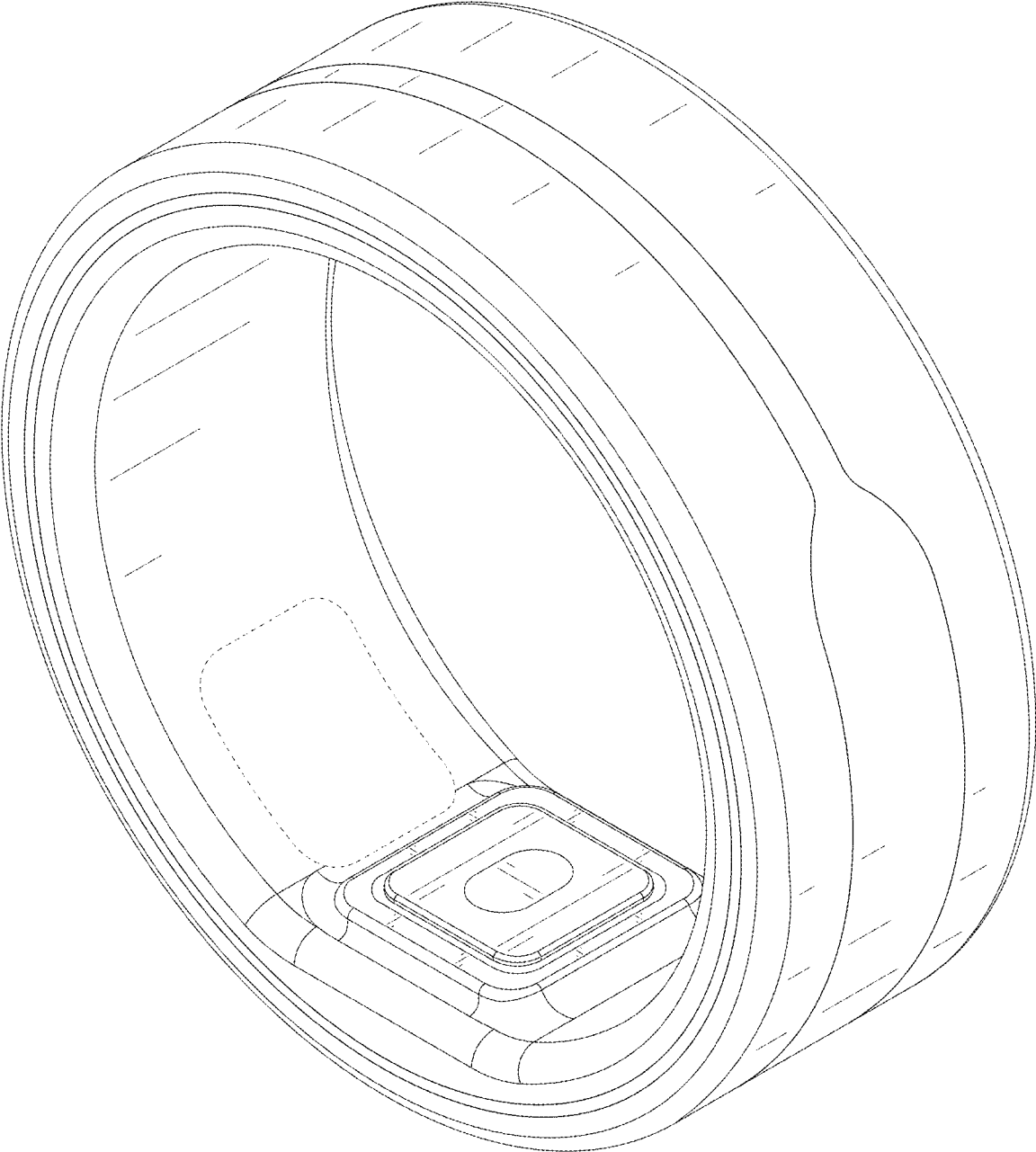


FIG. 1

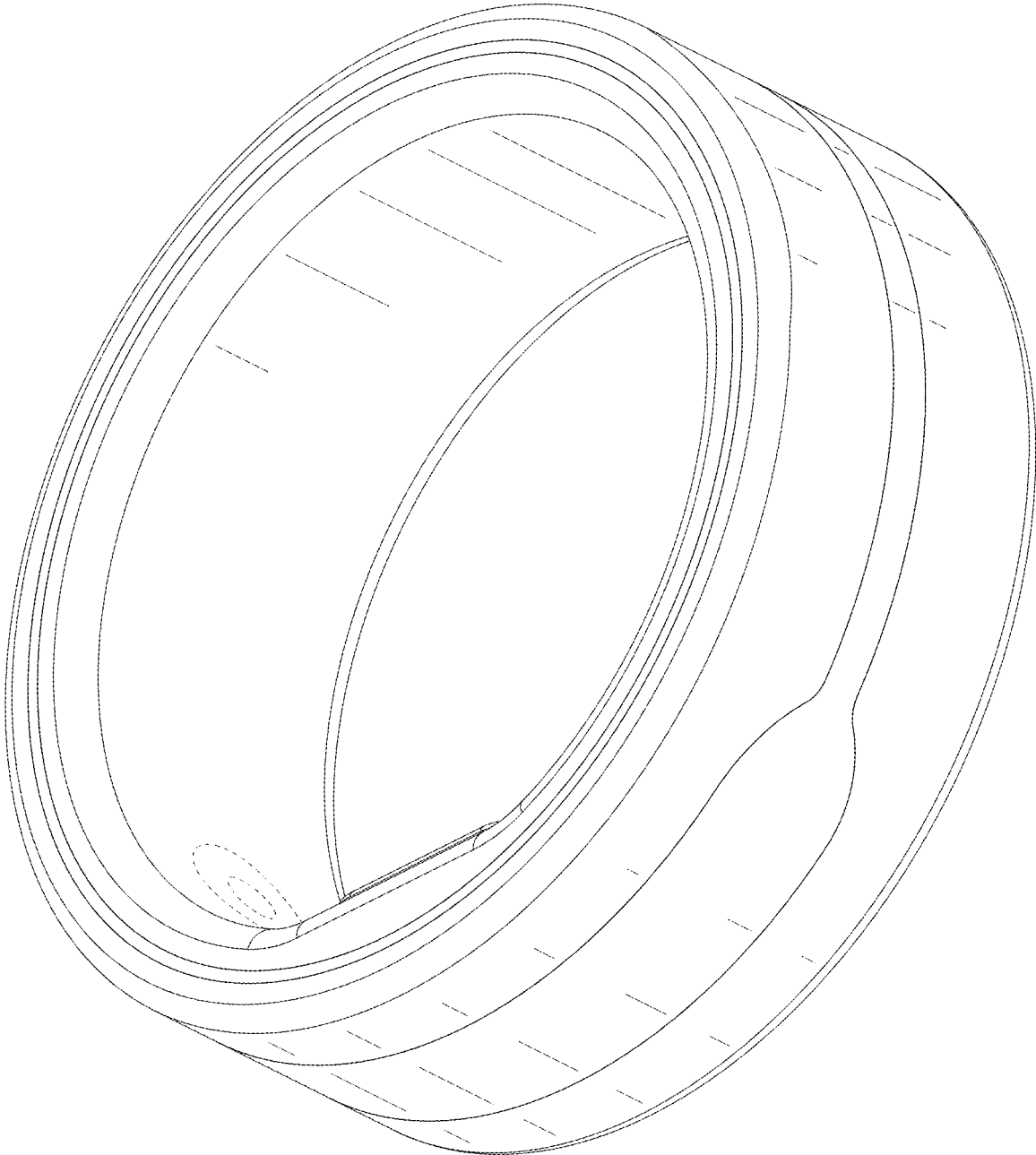


FIG. 2

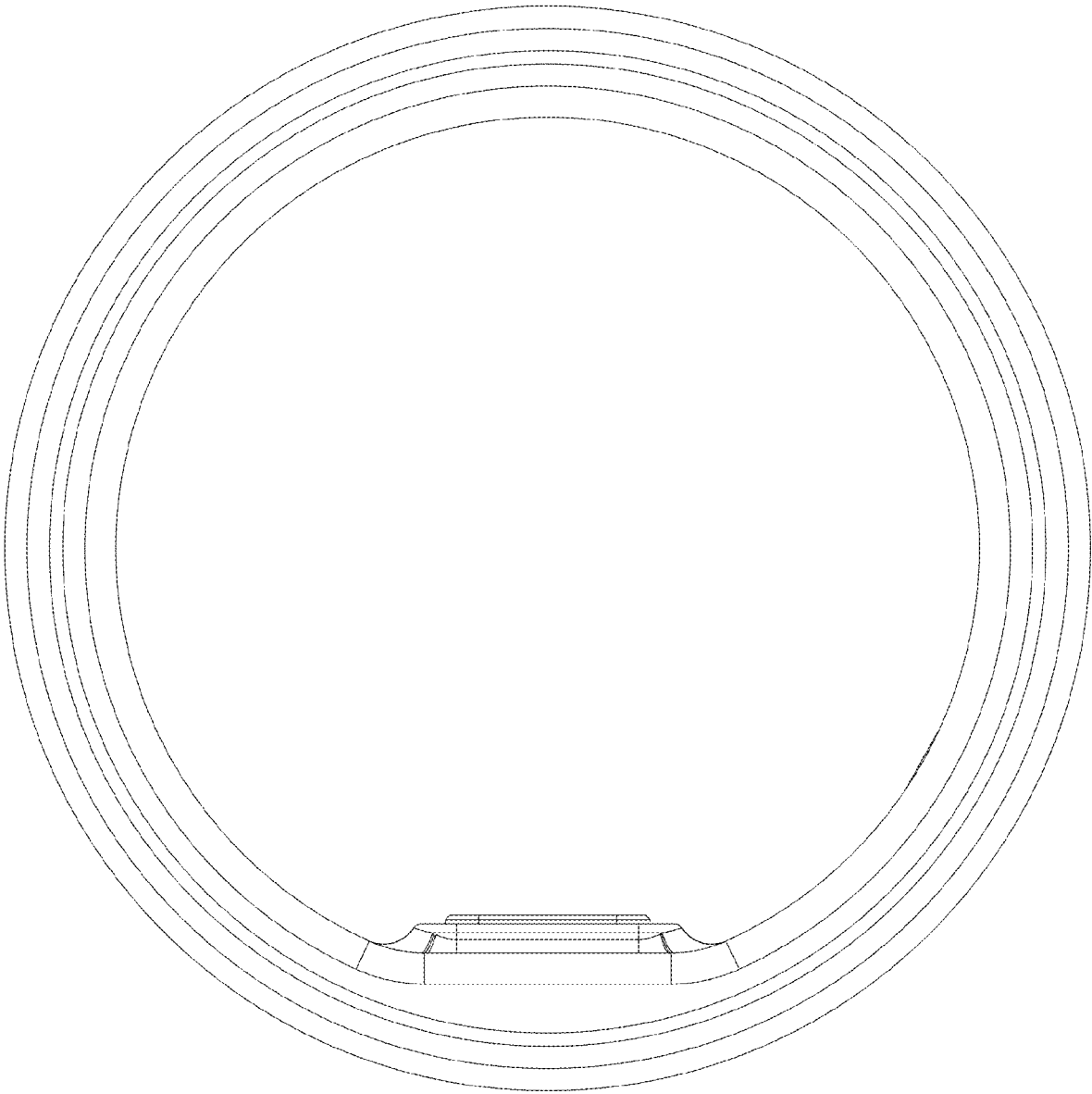


FIG. 3

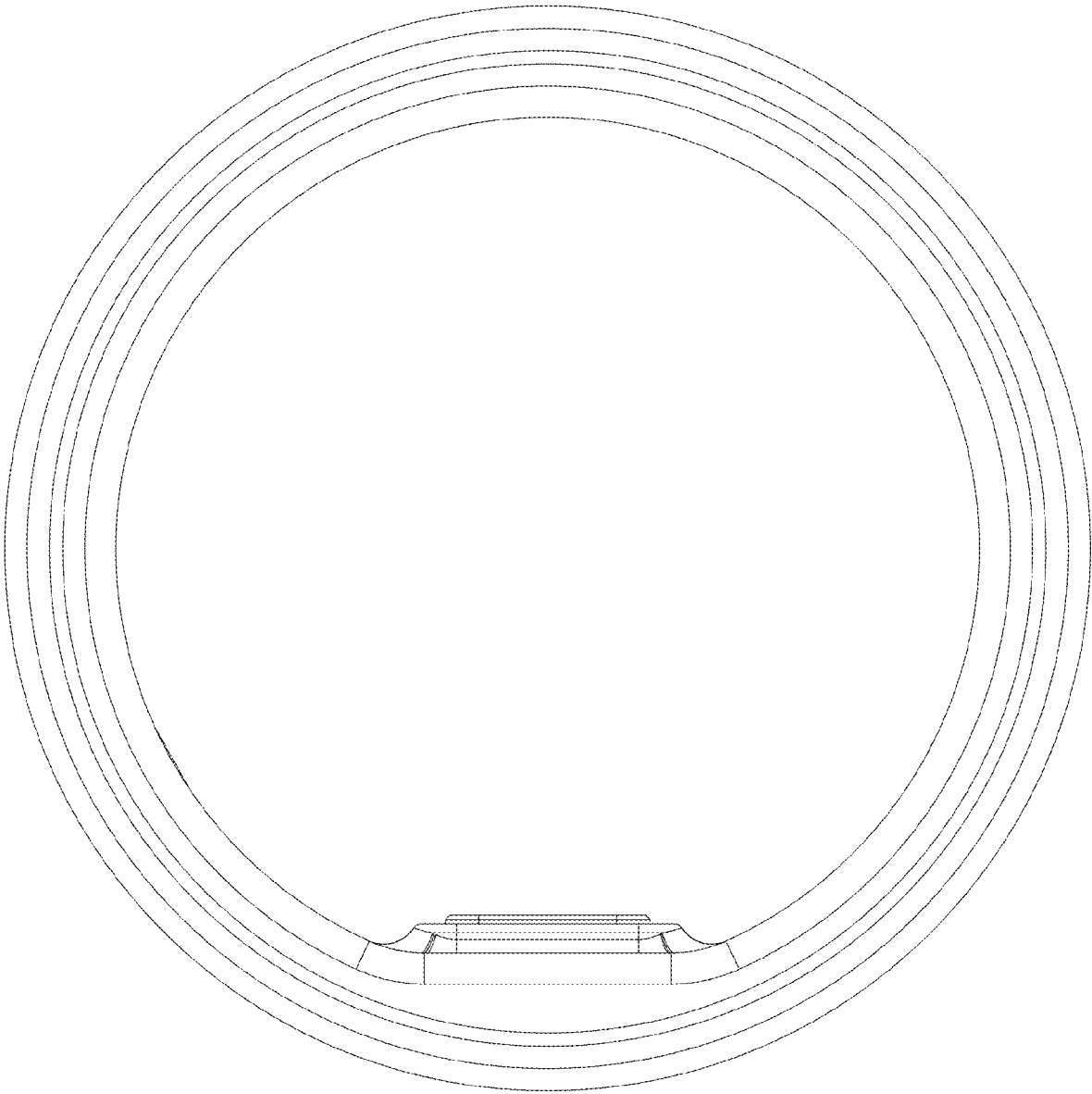


FIG. 4

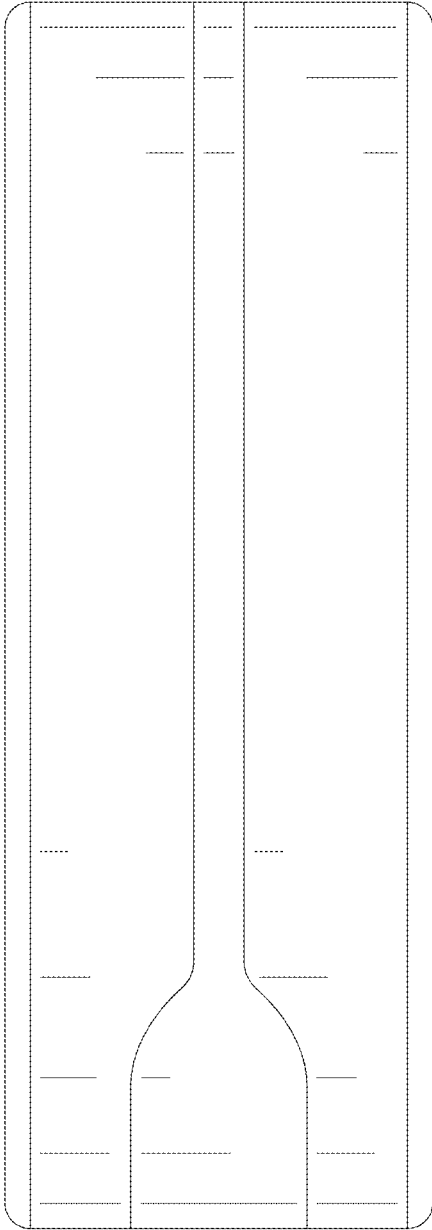


FIG. 5

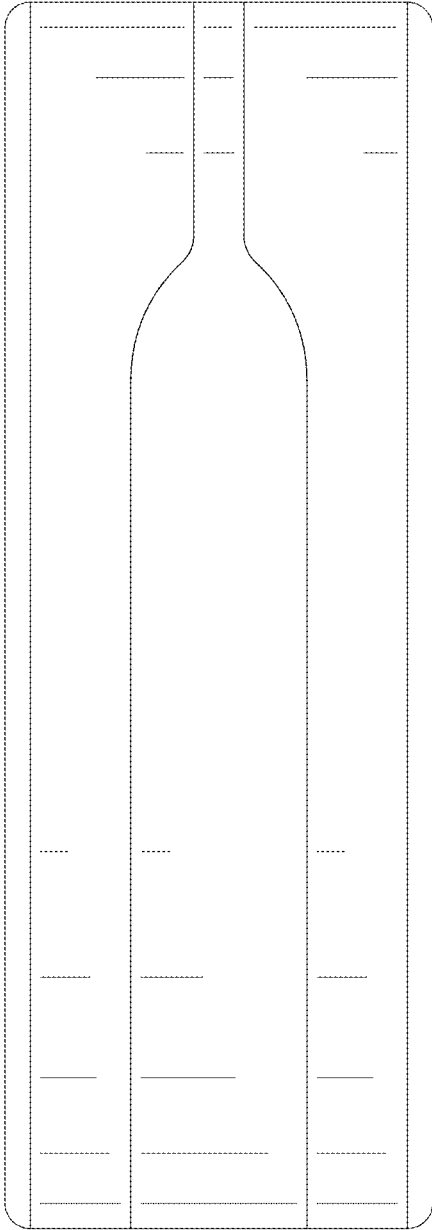


FIG. 6

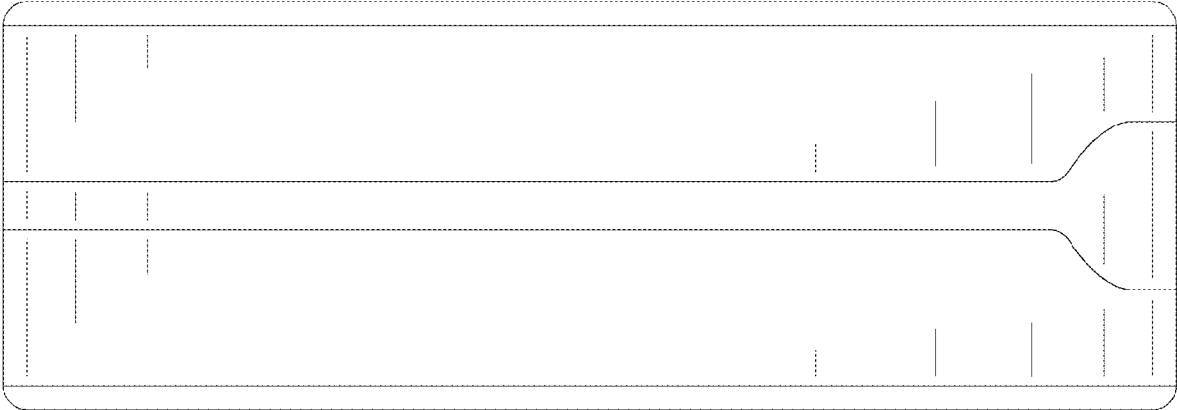


FIG. 7



FIG. 8