



US00D694167S

(12) **United States Design Patent**
Forsberg et al.

(10) **Patent No.:** **US D694,167 S**

(45) **Date of Patent:** **** Nov. 26, 2013**

- (54) **SIDE-MOUNTED FUEL TANK**
- (71) Applicant: **Agility Fuel Systems, Inc.**, Fontana, CA (US)
- (72) Inventors: **Chris Forsberg**, Kelowna (CA); **Todd Sloan**, Kelowna (CA)
- (73) Assignee: **Agility Fuel Systems, Inc.**, Fontana, CA (US)

6,402,198 B2	6/2002	Gollungberg	
6,550,811 B1 *	4/2003	Bennett et al.	280/833
6,843,237 B2	1/2005	Bowen et al.	
6,886,861 B2 *	5/2005	Marsala et al.	280/834
7,984,925 B2	7/2011	Levin et al.	
D644,160 S *	8/2011	Fries et al.	D12/218
D644,161 S *	8/2011	Fries et al.	D12/218

(**) Term: **14 Years**

- (21) Appl. No.: **29/434,305**
- (22) Filed: **Oct. 11, 2012**
- (51) **LOC (9) Cl.** **12-11**
- (52) **U.S. Cl.**
USPC **D12/218**
- (58) **Field of Classification Search**
USPC D12/218; D15/1, 3, 5, 17, 29; 220/4.14, 220/562-564; 280/830, 833-835; 180/69.4, 180/314
See application file for complete search history.

OTHER PUBLICATIONS

U.S. Appl. No. 29/434,307, filed Oct. 11, 2012, Forsberg et al.
Office action dated Apr. 23, 2013 for U.S. Appl. No. 29/434,307.

* cited by examiner

Primary Examiner — Susan M Lee
Assistant Examiner — Linda Brooks
(74) *Attorney, Agent, or Firm* — Wilson Sonsini Goodrich & Rosati

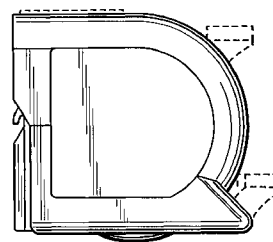
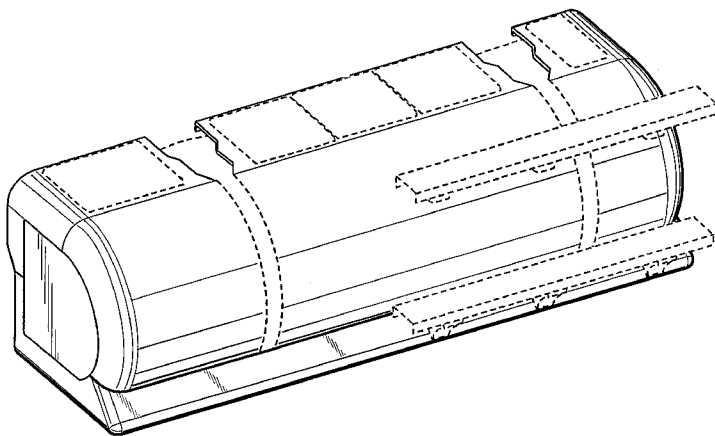
(57) **CLAIM**
The ornamental design for a side-mounted fuel tank, as shown and described.

- (56) **References Cited**
U.S. PATENT DOCUMENTS
- | | | | |
|----------------|---------|----------|-----------|
| 2,569,493 A * | 10/1951 | Prior | 280/833 |
| 2,622,887 A * | 12/1952 | Prior | 280/833 |
| D208,539 S * | 9/1967 | Miller | D12/218 |
| D240,452 S * | 7/1976 | Baluk | D14/196 |
| 5,054,799 A * | 10/1991 | Fingerle | 280/164.1 |
| 6,378,823 B1 * | 4/2002 | Edholm | 248/219.4 |

DESCRIPTION

FIG. 1 is a top perspective view of a side-mounted fuel tank, showing our new design;
FIG. 2 is a top plan view thereof;
FIG. 3 is a front view thereof;
FIG. 4 is a left side view thereof; and,
FIG. 5 is a right side view thereof.
The broken lines adjacent the shaded surfaces in the figures represent boundaries, while the other broken lines represent unclaimed environmental structure. None of the broken lines form part of the claimed design.

1 Claim, 3 Drawing Sheets



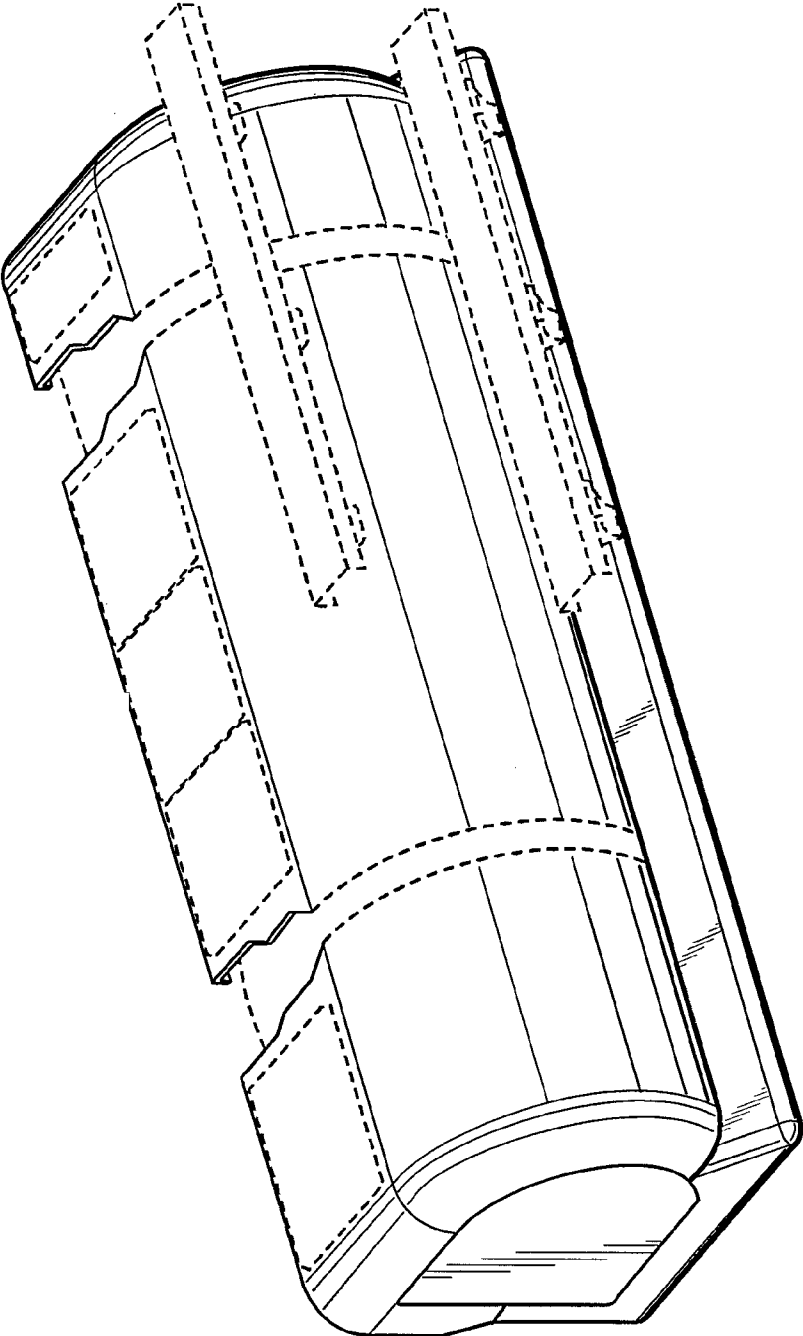


FIG. 1

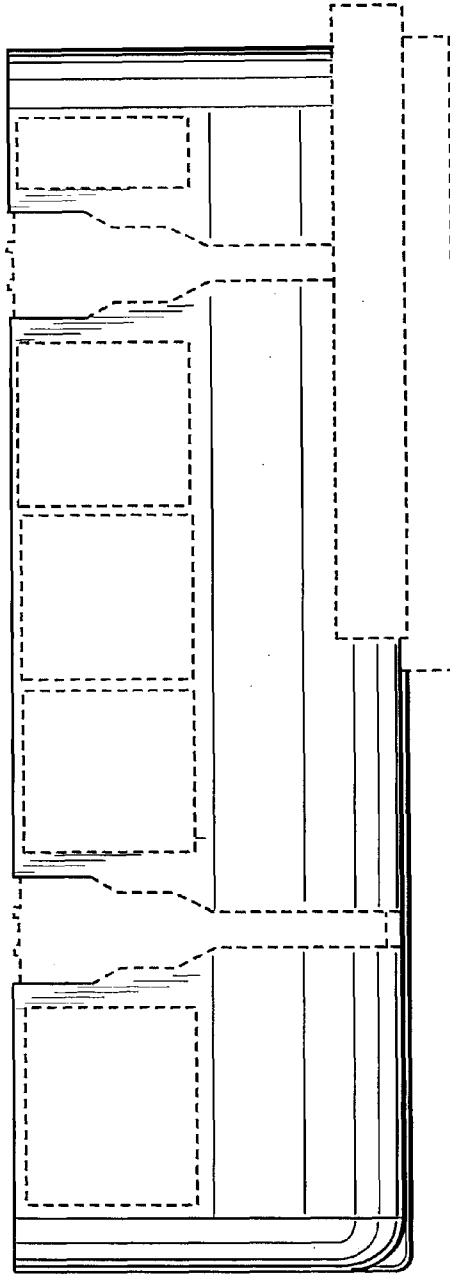


FIG. 2

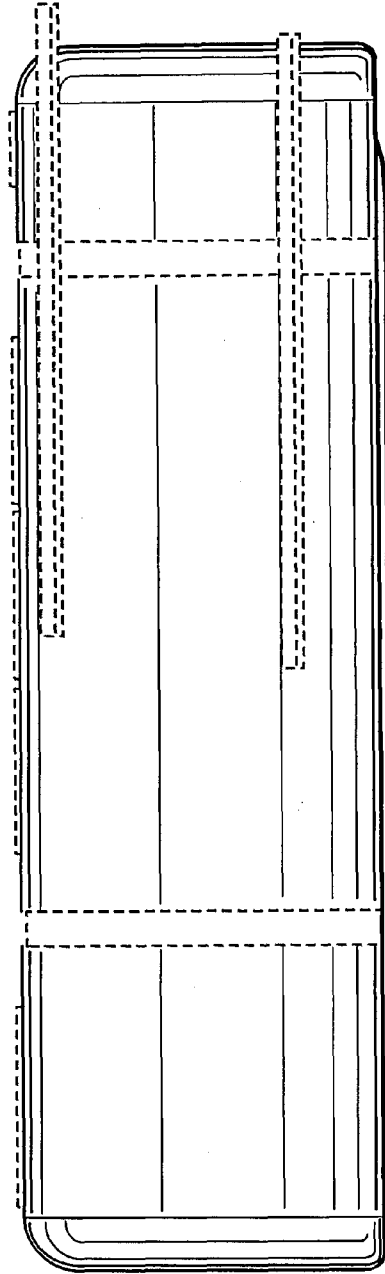


FIG. 3

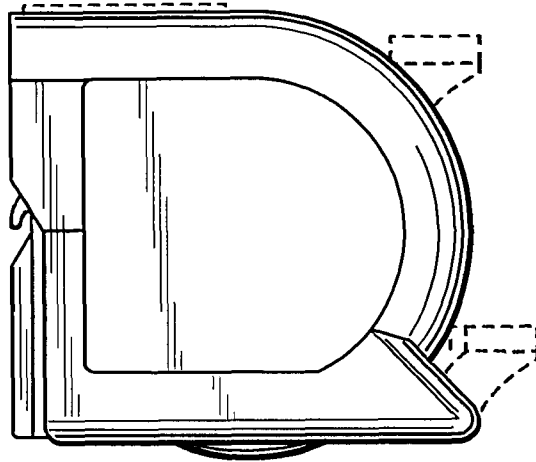


FIG. 4

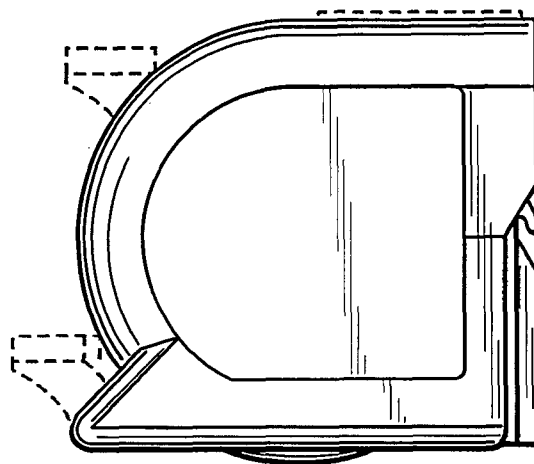


FIG. 5