



US00D486997S

(12) **United States Design Patent** (10) **Patent No.:** **US D486,997 S**
Janky (45) **Date of Patent:** **** Feb. 24, 2004**

(54) **BELL MUG**

DESCRIPTION

- (75) Inventor: **Gregory T. Janky**, Sammamish, WA (US)
- (73) Assignee: **Pacific Market, Inc.**, Seattle, WA (US)
- (**) Term: **14 Years**
- (21) Appl. No.: **29/182,479**
- (22) Filed: **May 27, 2003**
- (51) **LOC (7) Cl.** **07-01**
- (52) **U.S. Cl.** **D7/531; D7/536; D7/510; D7/511**
- (58) **Field of Search** **D7/536, 510, 511, D7/509, 507, 531, 523; D10/116; 84/406; D17/22; 428/11; 116/148; 220/705, 710.5, 729; 215/388, 13.1; 356/216; 206/217; 222/129**

FIG. 1 is a front, right isometric perspective view of a bell mug showing my new design.
 FIG. 2 is a front elevational view thereof.
 FIG. 3 is a rear elevational view thereof.
 FIG. 4 is a right side elevational view thereof.
 FIG. 5 is a left side elevational view thereof.
 FIG. 6 is a top plan view thereof.
 FIG. 7 is a bottom plan view thereof.
 FIG. 8 is a front, right isometric perspective view of a second embodiment of the bell mug showing my new design, with the lid shown in phantom lines.
 FIG. 9 is a front elevational view of the mug of FIG. 8.
 FIG. 10 is a rear elevational view of the mug of FIG. 8.
 FIG. 11 is a right side elevational view of the mug of FIG. 8.
 FIG. 12 is a left side elevational view of the mug of FIG. 8.
 FIG. 13 is a top plan view of the mug of FIG. 8.
 FIG. 14 is a bottom plan view of the mug of FIG. 8.
 FIG. 15 is front, right isometric perspective view of a third embodiment of the bell mug showing my new design, with the handle shown in phantom lines and an alternate lid design.
 FIG. 16 is a front elevational view of the mug of FIG. 15.
 FIG. 17 is a rear elevational view of the mug of FIG. 15.
 FIG. 18 is a right side elevational view of the mug of FIG. 15.
 FIG. 19 is a left side elevational view of the mug of FIG. 15.
 FIG. 20 is a top plan view of the mug of FIG. 15.
 FIG. 21 is a bottom plan view of the mug of FIG. 15.
 FIG. 22 is a front, right isometric perspective view of a fourth embodiment of the bell mug showing my new design, without handle and without lid.
 FIG. 23 is a front elevational view of the mug of FIG. 22, the rear elevational view being a mirror image thereof.
 FIG. 24 is a right side elevational view of the mug of FIG. 22, the left side elevational view being a mirror image thereof.
 FIG. 25 is a top plan view of the mug of FIG. 22; and
 FIG. 26 is a bottom plan view of the mug of FIG. 22.
 The broken lines in the figures are for illustrative purposes only and form no part of the claimed design.

(56) **References Cited**

U.S. PATENT DOCUMENTS

D283,772 S	*	5/1986	Vail	D7/536
4,618,066 A	*	10/1986	Vail	215/13.1
5,531,353 A	*	7/1996	Ward et al.	220/729
D372,839 S	*	8/1996	Laib	D7/536
D373,051 S	*	8/1996	Kramer et al.	D7/536
D382,173 S	*	8/1997	Cogswell	D7/507
D384,860 S		10/1997	Trombly	D7/536
D386,948 S	*	12/1997	Wissinger	D7/533
D387,620 S		12/1997	Trombly	D7/510
5,739,903 A	*	4/1998	Kepner	356/216

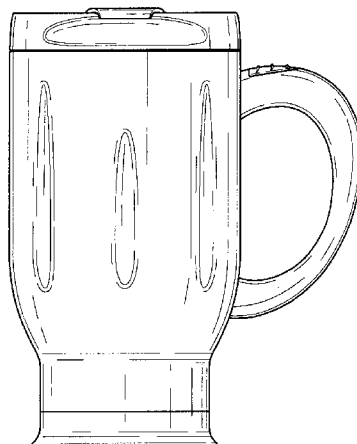
(List continued on next page.)

Primary Examiner—M. N. Pandozzi
(74) *Attorney, Agent, or Firm*—SEED IP Law Group PLLC

(57) **CLAIM**

The ornamental design for a bell mug, as shown and described.

1 Claim, 8 Drawing Sheets



U.S. PATENT DOCUMENTS

D396,381 S	*	7/1998	Chung	D7/510	D453,445 S	*	2/2002	Sokolski et al.	D7/510
D397,912 S	*	9/1998	Goessling, Jr.	D7/536	D457,395 S		5/2002	Gluck	D7/510
D400,401 S	*	11/1998	Lynd	D7/536	D467,124 S	*	12/2002	Janky	D7/533
D417,365 S	*	12/1999	Huang	D7/511	D472,425 S	*	4/2003	Hurlbut et al.	D7/510
D427,853 S	*	7/2000	Kohlhase	D7/510	D476,528 S	*	7/2003	Janky et al.	D7/536
D428,306 S	*	7/2000	Lee	D7/510	D479,671 S	*	9/2003	Gluck	D7/533
D433,877 S	*	11/2000	Bickert et al.	D7/536					

* cited by examiner



Fig. 1

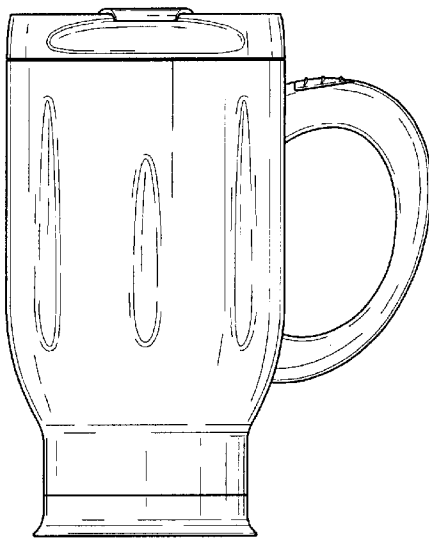


Fig. 2

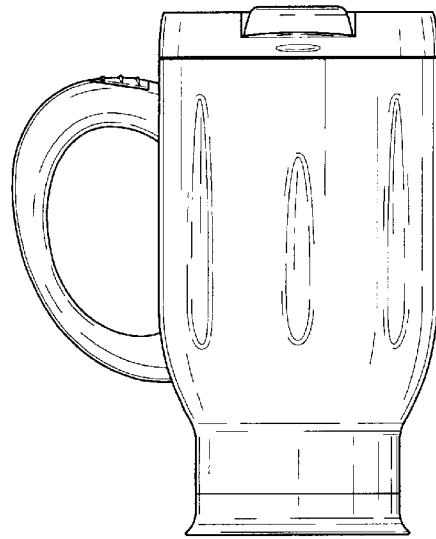


Fig. 3

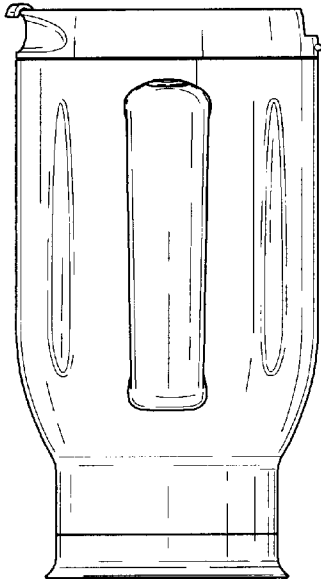


Fig. 4

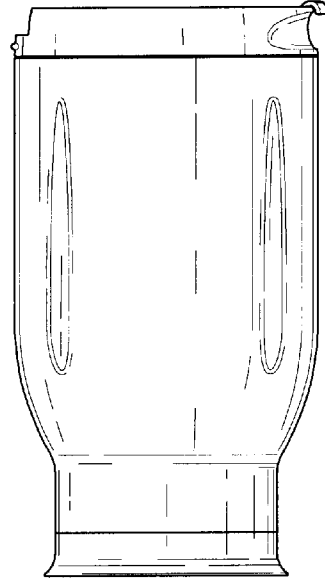


Fig. 5

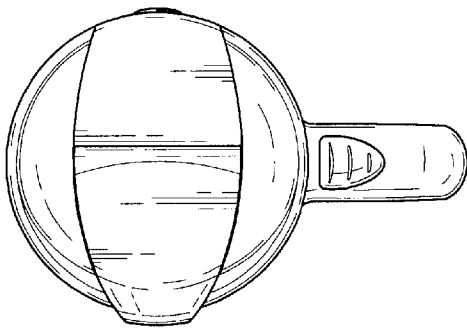


Fig. 6

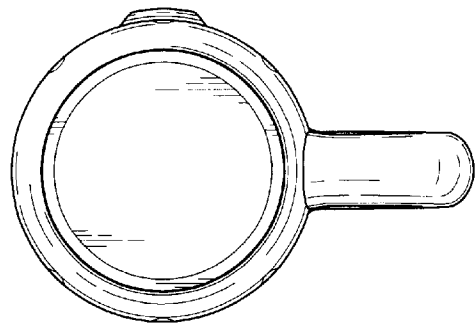


Fig. 7

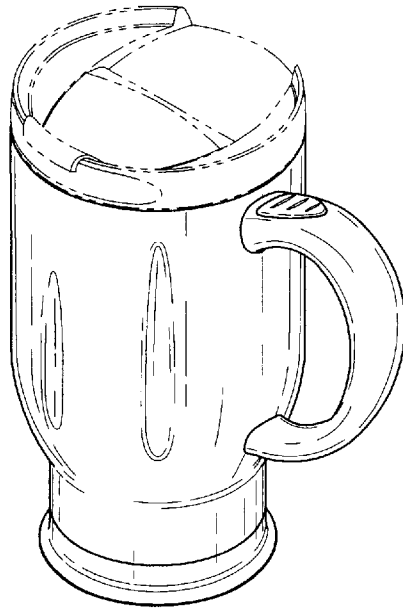


Fig. 8

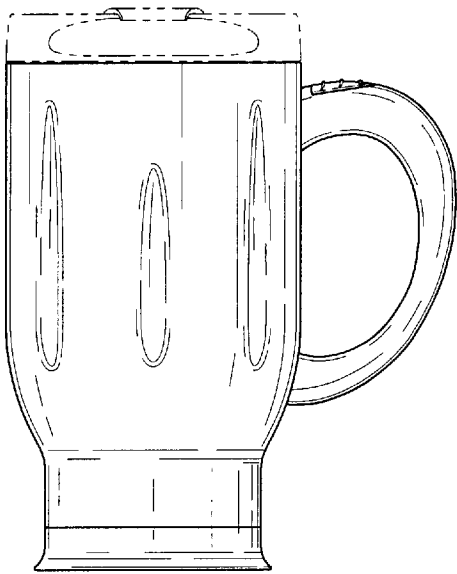


Fig. 9

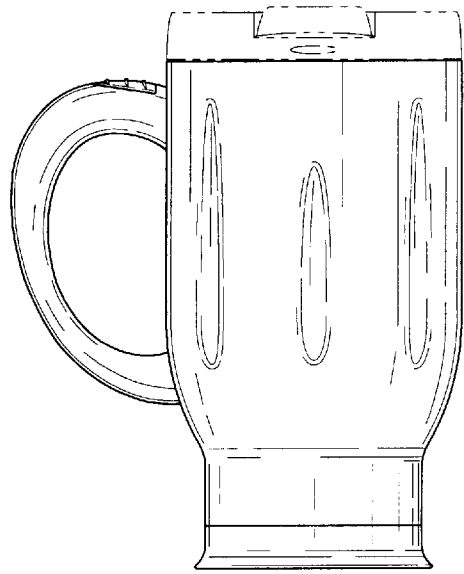


Fig. 10

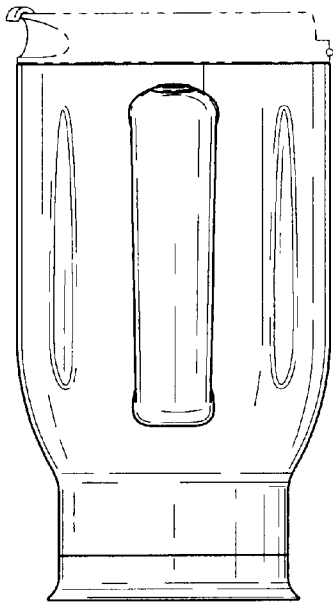


Fig. 11

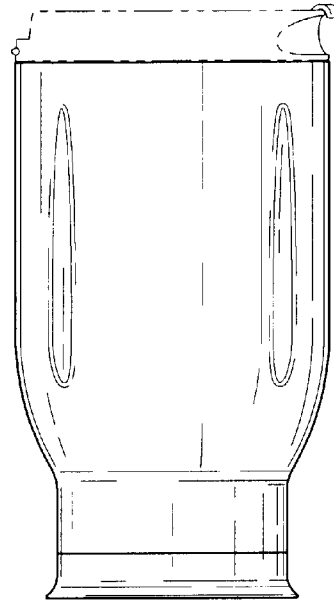


Fig. 12

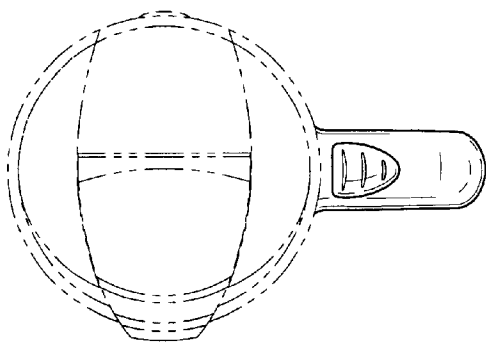


Fig. 13

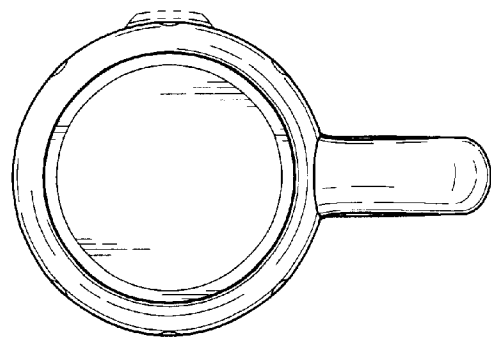


Fig. 14

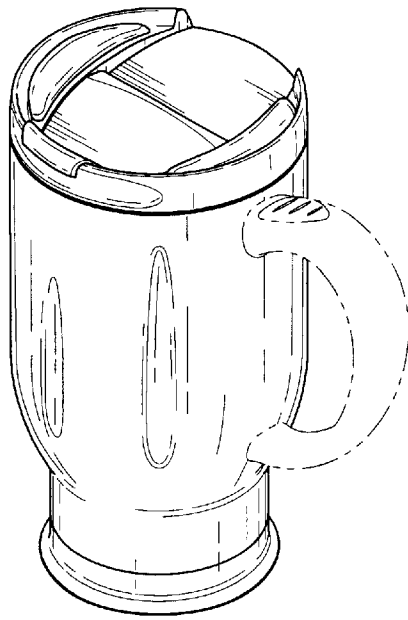


Fig. 15

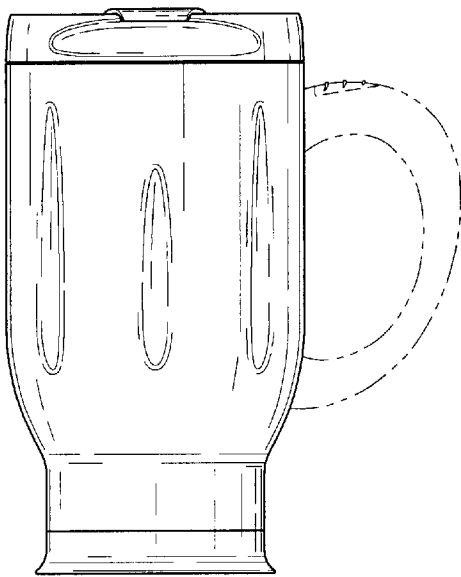


Fig. 16

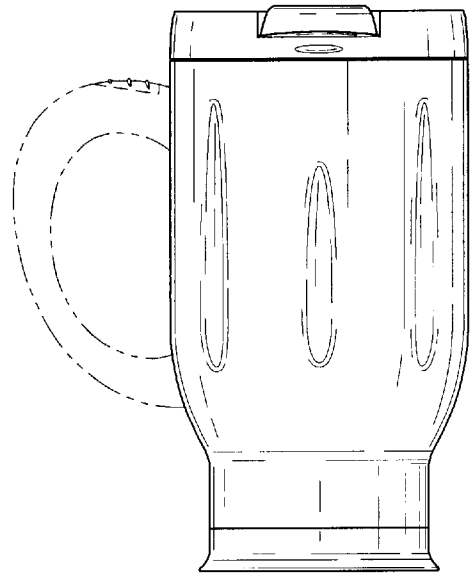


Fig. 17

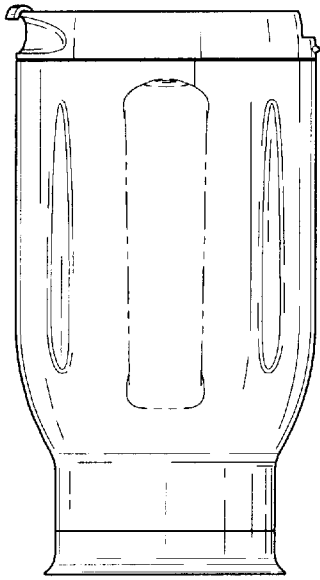


Fig. 18

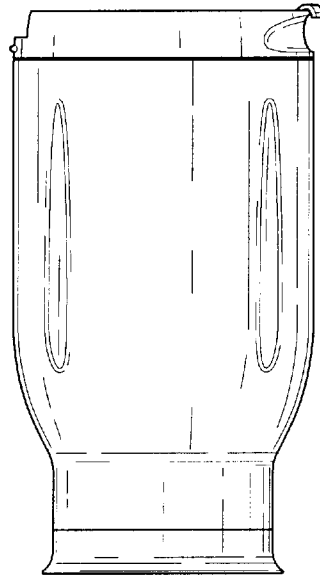


Fig. 19

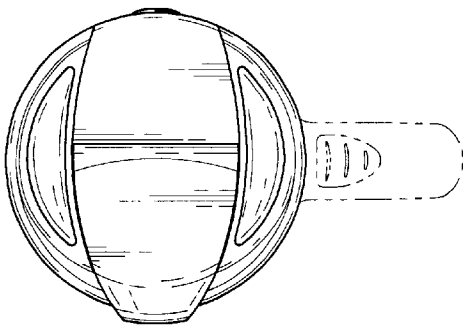


Fig. 20

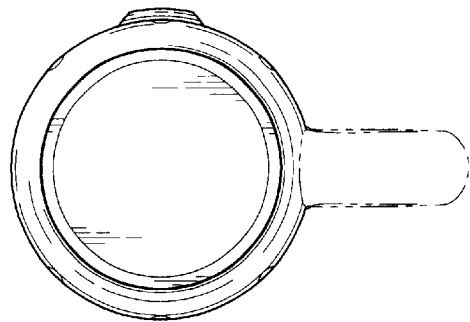


Fig. 21

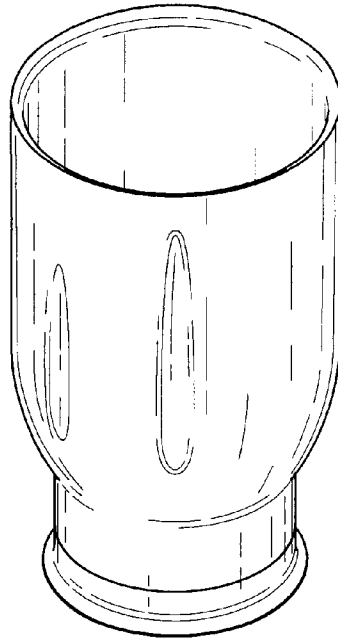


Fig. 22

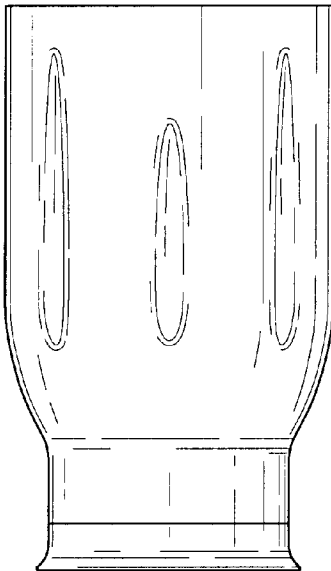


Fig. 23

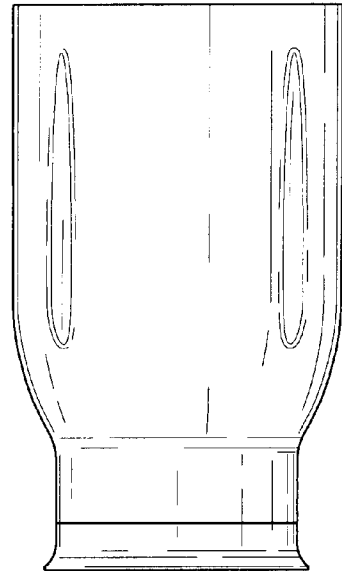


Fig. 24

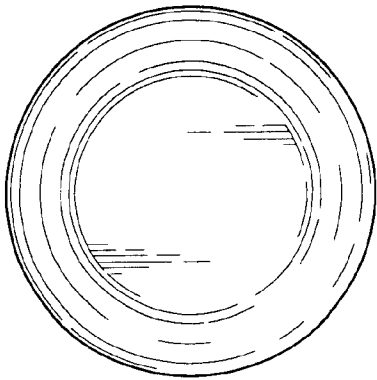


Fig. 25

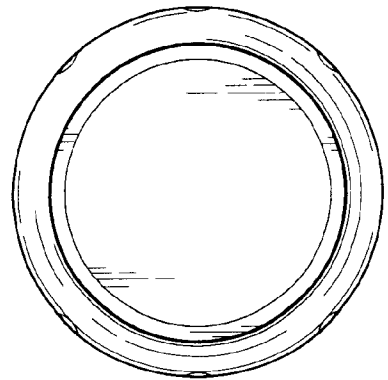


Fig. 26