



(51) International Patent Classification:

A61M 5/145 (2006.01) A61M 5/142 (2006.01)
A61M 5/00 (2006.01)

(21) International Application Number:

PCT/US2018/042907

(22) International Filing Date:

19 July 2018 (19.07.2018)

(25) Filing Language:

English

(26) Publication Language:

English

(30) Priority Data:

62/534,407 19 July 2017 (19.07.2017) US

(71) Applicant: SMITHS MEDICAL ASD, INC. [US/US];
6000 Nathan Lane North, Plymouth, Minnesota 55442 (US).

(72) Inventors: LACY, Christopher Allen; c/o Smiths Medical ASD, Inc., 6000 Nathan Lane North, Plymouth, Minnesota 55442 (US). ADAMS, Grant A.; c/o Smiths Medical ASD, Inc., 6000 Nathan Lane North, Plymouth, Minnesota 55442 (US). PLAGER, Steven; c/o Smiths Medical ASD, Inc., 6000 Nathan Lane North, Plymouth, Minnesota 55442 (US). KRAUTBAUER, Kevin; c/o Smiths Medical ASD, Inc., 6000 Nathan Lane North, Plymouth, Minnesota 55442 (US). SANBORN, Jonathan; c/o Smiths Medical ASD, Inc., 6000 Nathan Lane North, Plymouth, Minnesota 55442 (US). MAIERS, Manfred; c/o Smiths Medical ASD, Inc., 6000 Nathan Lane North, Plymouth, Minnesota 55442 (US). DOBROVOLNY, Walter; c/o Smiths Medical ASD, Inc., 6000 Nathan Lane North, Plymouth, Minnesota 55442 (US). WILKOWSKE, Eric J.; c/o Smiths Medical ASD, Inc., 6000 Nathan Lane North, Plymouth, Minnesota 55442 (US).

(54) Title: HOUSING ARRANGEMENTS FOR INFUSION PUMPS

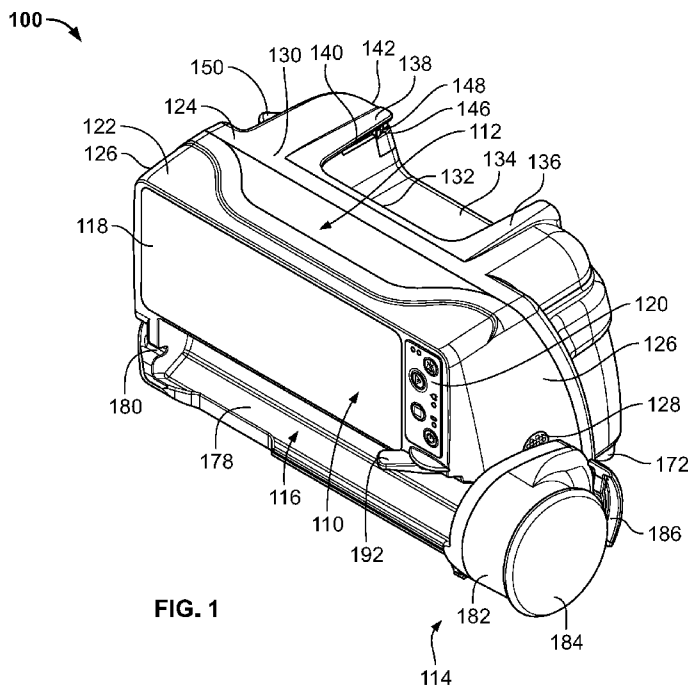


FIG. 1

(57) Abstract: An infusion pump, including a housing, a user interface, a motor and a set of drive components, and a controller. The housing enables selective stacked attachment with other infusion pumps. The housing includes a top portion with a handle integrated into an outer surface that partially defines a generally U-shaped retaining feature. The housing also includes a bottom portion with a generally U-shaped projection that is contoured to selectively mate with the retaining feature of another infusion pump. The user interface provides a front side to the housing that receives commands regarding infusion pump operation. The motor and set of drive components are at least partially located within the housing and mechanically direct infusion of infusate. The controller is located within the housing and that controls operation of the motor and the set of drive components.



(74) **Agent: RIEKE, James P.** et al.; Patterson Thunte Peder-
sen, P.A., 4800 IDS Center, 80 South 8th Street, Minneapo-
lis, Minnesota 55402 (US).

(81) **Designated States** (*unless otherwise indicated, for every
kind of national protection available*): AE, AG, AL, AM,
AO, AT, AU, AZ, BA, BB, BG, BH, BN, BR, BW, BY, BZ,
CA, CH, CL, CN, CO, CR, CU, CZ, DE, DJ, DK, DM, DO,
DZ, EC, EE, EG, ES, FI, GB, GD, GE, GH, GM, GT, HN,
HR, HU, ID, IL, IN, IR, IS, JO, JP, KE, KG, KH, KN, KP,
KR, KW, KZ, LA, LC, LK, LR, LS, LU, LY, MA, MD, ME,
MG, MK, MN, MW, MX, MY, MZ, NA, NG, NI, NO, NZ,
OM, PA, PE, PG, PH, PL, PT, QA, RO, RS, RU, RW, SA,
SC, SD, SE, SG, SK, SL, SM, ST, SV, SY, TH, TJ, TM, TN,
TR, TT, TZ, UA, UG, US, UZ, VC, VN, ZA, ZM, ZW.

(84) **Designated States** (*unless otherwise indicated, for every
kind of regional protection available*): ARIPO (BW, GH,
GM, KE, LR, LS, MW, MZ, NA, RW, SD, SL, ST, SZ, TZ,
UG, ZM, ZW), Eurasian (AM, AZ, BY, KG, KZ, RU, TJ,
TM), European (AL, AT, BE, BG, CH, CY, CZ, DE, DK,
EE, ES, FI, FR, GB, GR, HR, HU, IE, IS, IT, LT, LU, LV,
MC, MK, MT, NL, NO, PL, PT, RO, RS, SE, SI, SK, SM,
TR), OAPI (BF, BJ, CF, CG, CI, CM, GA, GN, GQ, GW,
KM, ML, MR, NE, SN, TD, TG).

Declarations under Rule 4.17:

— *of inventorship (Rule 4.17(iv))*

Published:

— *with international search report (Art. 21(3))*
— *before the expiration of the time limit for amending the
claims and to be republished in the event of receipt of
amendments (Rule 48.2(h))*

(88) Date of publication of the international search report:

21 February 2019 (21.02.2019)

INTERNATIONAL SEARCH REPORT

International application No.
PCT/US2018/042907**A. CLASSIFICATION OF SUBJECT MATTER****A61M 5/145(2006.01)i, A61M 5/00(2006.01)i, A61M 5/142(2006.01)i**

According to International Patent Classification (IPC) or to both national classification and IPC

B. FIELDS SEARCHED

Minimum documentation searched (classification system followed by classification symbols)

A61M 5/145; A61M 1/00; A61M 31/00; A61M 5/16; A61M 5/172; H04Q 1/00; A61M 5/00; A61M 5/142

Documentation searched other than minimum documentation to the extent that such documents are included in the fields searched

Korean utility models and applications for utility models
Japanese utility models and applications for utility models

Electronic data base consulted during the international search (name of data base and, where practicable, search terms used)

eKOMPASS(KIPO internal) & Keywords: infusion pump, stacking, housing, user interface, drive assembly, controller, syringe, handle, groove, field replaceable unit

C. DOCUMENTS CONSIDERED TO BE RELEVANT

Category*	Citation of document, with indication, where appropriate, of the relevant passages	Relevant to claim No.
X	US 2013-0281965 A1 (DEKA PRODUCTS LIMITED PARTNERSHIP) 24 October 2013 See paragraphs [0128]-[0345]; figures 1-34.	1-11, 19-21
A		12-18
X	US 4756706 A (KERNS, R. M. et al.) 12 July 1988 See column 2, line 45 - column 12, line 2; claim 1; figures 1-18.	12-18
X	US 5533981 A (MANDRO, M. et al.) 09 July 1996 See column 3, lines 9-40; figure 1.	6, 7, 9-11
X	US 5254096 A (RONDELET, J. et al.) 19 October 1993 See column 2, line 37 - column 3, line 32; figures 1, 2.	6, 7, 9-11
X	US 5901150 A (JHUBOO, A. N. et al.) 04 May 1999 See column 2, line 13 - column 4, line 13; figures 1-4.	12-18

 Further documents are listed in the continuation of Box C. See patent family annex.

* Special categories of cited documents:

"A" document defining the general state of the art which is not considered to be of particular relevance

"E" earlier application or patent but published on or after the international filing date

"L" document which may throw doubts on priority claim(s) or which is cited to establish the publication date of another citation or other special reason (as specified)

"O" document referring to an oral disclosure, use, exhibition or other means

"P" document published prior to the international filing date but later than the priority date claimed

"T" later document published after the international filing date or priority date and not in conflict with the application but cited to understand the principle or theory underlying the invention

"X" document of particular relevance; the claimed invention cannot be considered novel or cannot be considered to involve an inventive step when the document is taken alone

"Y" document of particular relevance; the claimed invention cannot be considered to involve an inventive step when the document is combined with one or more other such documents, such combination being obvious to a person skilled in the art

"&" document member of the same patent family

Date of the actual completion of the international search

15 January 2019 (15.01.2019)

Date of mailing of the international search report

15 January 2019 (15.01.2019)

Name and mailing address of the ISA/KR

International Application Division
Korean Intellectual Property Office
189 Cheongsa-ro, Seo-gu, Daejeon, 35208, Republic of Korea

Facsimile No. +82-42-481-8578

Authorized officer

HAN, Inho

Telephone No. +82-42-481-3362



INTERNATIONAL SEARCH REPORT

Information on patent family members

International application No.

PCT/US2018/042907

Patent document cited in search report	Publication date	Patent family member(s)	Publication date
US 2013-0281965 A1	24/10/2013	AU 2008-219647 A1	04/09/2008
		AU 2008-219647 B2	10/07/2014
		AU 2008-221370 A1	04/09/2008
		AU 2008-221370 B2	20/02/2014
		AU 2008-221455 A1	04/09/2008
		AU 2008-221455 B2	27/02/2014
		AU 2008-231167 A1	02/10/2008
		AU 2008-231167 B2	31/10/2013
		AU 2008-312005 A1	23/04/2009
		AU 2008-312005 B2	23/10/2014
		AU 2011-383571 A1	17/07/2014
		AU 2012-259459 A1	29/11/2012
		AU 2012-259459 B2	02/06/2016
		AU 2012-358221 A1	27/06/2013
		AU 2012-358221 B2	22/12/2016
		AU 2012-358397 A1	27/06/2013
		AU 2012-358397 B2	05/01/2017
		AU 2013-204505 A1	09/05/2013
		AU 2013-204505 B2	18/02/2016
		AU 2013-204552 A1	16/05/2013
		AU 2013-204552 B2	04/12/2014
		AU 2013-204569 A1	16/05/2013
		AU 2013-204569 B2	22/01/2015
		AU 2013-204621 A1	09/05/2013
		AU 2013-204621 B2	03/12/2015
		AU 2013-204659 A1	09/05/2013
		AU 2013-204659 B2	29/10/2015
		AU 2013-204691 A1	09/05/2013
		AU 2013-204691 B2	26/11/2015
		AU 2013-266256 A1	11/12/2014
		AU 2013-266256 A1	28/11/2013
		AU 2013-266256 B2	06/09/2018
		AU 2013-266864 A1	28/11/2013
		AU 2013-266864 B2	06/04/2017
		AU 2013-361072 A1	26/06/2014
		AU 2013-361156 A1	26/06/2014
		AU 2013-364039 A1	26/06/2014
		AU 2013-364047 A1	26/06/2014
		AU 2013-364047 B2	17/05/2018
		AU 2013-364131 A1	26/06/2014
		AU 2014-200376 A1	06/02/2014
		AU 2014-202773 A1	19/06/2014
		AU 2014-202773 B2	10/11/2016
		AU 2014-228946 A1	18/09/2014
		AU 2015-201053 A1	02/04/2015
		AU 2015-201053 B2	25/05/2017
		AU 2015-358610 A1	09/06/2016
		AU 2016-200525 A1	25/02/2016
		AU 2016-200525 B2	09/02/2017

INTERNATIONAL SEARCH REPORT

Information on patent family members

International application No.

PCT/US2018/042907

Patent document cited in search report	Publication date	Patent family member(s)	Publication date
		AU 2016-201232 A1	24/03/2016
		AU 2016-201232 B2	08/03/2018
		AU 2016-201358 A1	19/05/2016
		AU 2016-201358 B2	10/05/2018
		AU 2016-203233 A1	30/06/2016
		AU 2016-203233 B2	05/10/2017
		AU 2016-204226 A1	21/07/2016
		AU 2016-204226 B2	24/08/2017
		AU 2016-222324 A1	22/09/2016
		AU 2016-222324 B2	17/08/2017
		AU 2016-225879 A1	29/09/2016
		AU 2016-225879 B2	29/09/2016
		AU 2016-269551 A1	05/01/2017
		AU 2017-200170 A1	02/02/2017
		AU 2017-200170 B2	16/11/2017
		AU 2017-200864 A1	16/03/2017
		AU 2017-204264 A1	13/07/2017
		AU 2017-218992 A1	14/09/2017
		AU 2017-253581 A1	23/11/2017
		AU 2017-254842 A1	16/11/2017
		AU 2017-254842 B2	25/01/2018
		AU 2017-261453 A1	07/12/2017
		AU 2018-200015 A1	25/01/2018
		AU 2018-200015 B2	22/02/2018
		AU 2018-200039 A1	08/02/2018
		AU 2018-201251 A1	15/03/2018
		AU 2018-201407 A1	15/03/2018
		AU 2018-202481 A1	26/04/2018
		AU 2018-202508 A1	10/05/2018
		AU 2018-202697 A1	10/05/2018
		AU 2018-202702 A1	10/05/2018
		AU 2018-202732 A1	10/05/2018
		CA 2648803 A1	25/10/2007
		CA 2681912 A1	04/09/2008
		CA 2681914 A1	04/09/2008
		CA 2681916 A1	04/09/2008
		CA 2682073 A1	02/10/2008
		CA 2702385 A1	23/04/2009
		CA 2837187 A1	29/11/2012
		CA 2859828 A1	27/06/2013
		CA 2860156 A1	27/06/2013
		CA 2860224 A1	27/06/2013
		CA 2874276 A1	28/11/2013
		CA 2874329 A1	28/11/2013
		CA 2882654 A1	25/10/2007
		CA 2895766 A1	26/06/2014
		CA 2896063 A1	26/06/2014
		CA 2896068 A1	26/06/2014
		CA 2896086 A1	26/06/2014
		CA 2896088 A1	26/06/2014

INTERNATIONAL SEARCH REPORT

Information on patent family members

International application No.

PCT/US2018/042907

Patent document cited in search report	Publication date	Patent family member(s)	Publication date
		CA 2896090 A1	26/06/2014
		CA 2906108 A1	18/09/2014
		CA 2906849 A1	18/09/2014
		CA 2934359 A1	27/08/2015
		CA 2937204 A1	04/09/2008
		CA 2950325 A1	03/12/2015
		CA 2968072 A1	09/06/2016
		CA 2970214 A1	25/10/2007
		CA 2971041 A1	23/04/2009
		CA 2971044 A1	23/04/2009
		CA 2971046 A1	23/04/2009
		CA 2986408 A1	28/11/2013
		CA 2986542 A1	27/06/2013
		CN 101271166 A	24/09/2008
		CN 101271166 B	08/06/2011
		CN 101678159 A	24/03/2010
		CN 101678159 B	04/06/2014
		CN 101711171 A	19/05/2010
		CN 101711171 B	26/03/2014
		CN 101801432 A	11/08/2010
		CN 101801432 B	13/11/2013
		CN 101986776 A	16/03/2011
		CN 101986776 B	01/04/2015
		CN 103623472 A	12/03/2014
		CN 103623472 B	03/10/2017
		CN 103845768 A	11/06/2014
		CN 103845768 B	28/09/2016
		CN 104114211 A	22/10/2014
		CN 104114211 B	11/07/2017
		CN 104174077 A	03/12/2014
		CN 104174077 B	18/07/2017
		CN 104487976 A	01/04/2015
		CN 104507516 A	08/04/2015
		CN 104507516 B	16/02/2018
		CN 104689393 A	10/06/2015
		CN 104689393 B	12/04/2017
		CN 104968316 A	07/10/2015
		CN 104968316 B	17/08/2018
		CN 104969227 A	07/10/2015
		CN 104969228 A	07/10/2015
		CN 104969228 B	22/05/2018
		CN 104969229 A	07/10/2015
		CN 104981808 A	14/10/2015
		CN 104981808 B	02/03/2018
		CN 105142697 A	09/12/2015
		CN 105188796 A	23/12/2015
		CN 105188796 B	08/09/2017
		CN 105963823 A	28/09/2016
		CN 105963823 B	21/07/2017
		CN 105999464 A	12/10/2016

INTERNATIONAL SEARCH REPORT

Information on patent family members

International application No.

PCT/US2018/042907

Patent document cited in search report	Publication date	Patent family member(s)	Publication date
		CN 106038295 A	26/10/2016
		CN 106038295 B	03/10/2017
		CN 106390220 A	15/02/2017
		CN 106421978 A	22/02/2017
		CN 107026893 A	08/08/2017
		CN 107206153 A	26/09/2017
		CN 107256325 A	17/10/2017
		CN 107303402 A	31/10/2017
		CN 107320806 A	07/11/2017
		EP 1972966 A2	24/09/2008
		EP 1972966 A3	22/10/2008
		EP 2010247 A1	07/01/2009
		EP 2131886 A1	16/12/2009
		EP 2131886 B1	05/04/2017
		EP 2131887 A2	16/12/2009
		EP 2131887 B1	08/04/2015
		EP 2131889 A1	16/12/2009
		EP 2131890 A1	16/12/2009
		EP 2131893 A1	16/12/2009
		EP 2131893 B1	22/07/2015
		EP 2197513 A1	23/06/2010
		EP 2197513 B1	26/04/2017
		EP 2319551 A2	11/05/2011
		EP 2319551 A3	24/08/2011
		EP 2319551 B1	27/01/2016
		EP 2350897 A2	03/08/2011
		EP 2353119 A1	10/08/2011
		EP 2586472 A1	01/05/2013
		EP 2586472 B1	16/08/2017
		EP 2714123 A2	09/04/2014
		EP 2714123 B1	09/08/2017
		EP 2724736 A1	30/04/2014
		EP 2735324 A1	28/05/2014
		EP 2735324 B1	04/01/2017
		EP 2793796 A2	29/10/2014
		EP 2793975 A2	29/10/2014
		EP 2793975 B1	17/08/2016
		EP 2793976 A2	29/10/2014
		EP 2793977 A2	29/10/2014
		EP 2793977 B1	18/11/2015
		EP 2795492 A1	29/10/2014
		EP 2839398 A1	25/02/2015
		EP 2841132 A2	04/03/2015
		EP 2934423 A2	28/10/2015
		EP 2934423 B1	24/10/2018
		EP 2934617 A1	28/10/2015
		EP 2936360 A2	28/10/2015
		EP 2936361 A2	28/10/2015
		EP 2936362 A2	28/10/2015
		EP 2936363 A2	28/10/2015

INTERNATIONAL SEARCH REPORT

Information on patent family members

International application No.

PCT/US2018/042907

Patent document cited in search report	Publication date	Patent family member(s)	Publication date
		EP 2968715 A2	20/01/2016
		EP 2968756 A2	20/01/2016
		EP 3006010 A1	13/04/2016
		EP 3006010 B1	15/02/2017
		EP 3037117 A1	29/06/2016
		EP 3037117 B1	20/12/2017
		EP 3072495 A1	28/09/2016
		EP 3081205 A1	19/10/2016
		EP 3081205 B1	01/08/2018
		EP 3107601 A1	28/12/2016
		EP 3148607 A2	05/04/2017
		EP 3181112 A1	21/06/2017
		EP 3189863 A1	12/07/2017
		EP 3195889 A1	26/07/2017
		EP 3195889 B1	07/11/2018
		EP 3222308 A1	27/09/2017
		EP 3226932 A2	11/10/2017
		EP 3228337 A1	11/10/2017
		EP 3263150 A1	03/01/2018
		JP 5174044 B2	03/04/2013
		JP 5270745 B2	21/08/2013
		JP 5291003 B2	18/09/2013
		JP 5319558 B2	16/10/2013
		JP 5324587 B2	23/10/2013
		JP 5385158 B2	08/01/2014
		JP 5469731 B2	16/04/2014
		JP 5576377 B2	20/08/2014
		JP 5643803 B2	17/12/2014
		JP 5654466 B2	14/01/2015
		JP 5695129 B2	01/04/2015
		JP 5749767 B2	15/07/2015
		JP 5782207 B2	24/09/2015
		JP 5824183 B2	25/11/2015
		JP 5894680 B2	30/03/2016
		JP 5952378 B2	13/07/2016
		JP 5960861 B2	02/08/2016
		JP 5966082 B2	10/08/2016
		JP 5993955 B2	21/09/2016
US 4756706 A	12/07/1988	None	
US 5533981 A	09/07/1996	CA 2176473 A1	18/04/1996
		EP 0732948 A1	02/01/2003
		EP 0732948 B1	23/04/2003
		EP 1279410 A1	29/01/2003
		EP 1279410 B1	06/05/2004
		JP 09-506288 A	24/06/1997
		WO 96-11024 A1	18/04/1996
US 5254096 A	19/10/1993	EP 0589328 A2	30/03/1994

INTERNATIONAL SEARCH REPORT

Information on patent family members

International application No.

PCT/US2018/042907

Patent document cited in search report	Publication date	Patent family member(s)	Publication date
US 5901150 A	04/05/1999	EP 0589328 B1	12/11/1997
		JP 06-190037 A	12/07/1994
		JP 2610385 B2	14/05/1997
		EP 0780134 A1	25/06/1997
		EP 0780134 B1	19/09/2001
		US 5954527 A	21/09/1999