

- [54] **WALL CLIP**
- [76] **Inventor: Stephen H. Wolff, 222 E. 35th St.,  
New York, N.Y. 10016**
- [\*\*] **Term: 14 Years**
- [21] **Appl. No.: 18,073**
- [22] **Filed: Feb. 24, 1987**
- [52] **U.S. Cl. .... D8/395; D6/553;  
D8/373; D19/90**
- [58] **Field of Search ..... D8/373, 395; D19/90;  
D6/553; 211/89; 24/509, 510**

[56] **References Cited**  
**U.S. PATENT DOCUMENTS**

D. 219,007	10/1970	Clifton	.....	D8/395
D. 266,858	11/1982	Cole	.....	D8/395
1,671,725	5/1928	Jones	.....	211/89
3,675,782	7/1972	Dudley	.....	211/89
3,754,663	8/1973	Bittner	.....	211/89
4,562,618	1/1986	Masuda	.....	24/511

4,629,075 12/1986 Hutten ..... 211/89  
*Primary Examiner*—B. J. Bullock  
*Attorney, Agent, or Firm*—Lerner, David, Littenberg,  
Krumholz & Mentlik

[57] **CLAIM**  
The ornamental design for a wall clip, as shown and described.

**DESCRIPTION**  
FIG. 1 is a perspective view of a wall clip showing my new design;  
FIG. 2 is an enlarged front elevational view thereof;  
FIG. 3 is an enlarged rear elevational view thereof;  
FIG. 4 is enlarged top plan view thereof;  
FIG. 5 is an enlarged bottom plan view thereof;  
FIG. 6 is an enlarged left side elevational view thereof;  
FIG. 7 is an enlarged right side elevational view thereof;  
FIG. 8 is a perspective view thereof, in a partially open position.

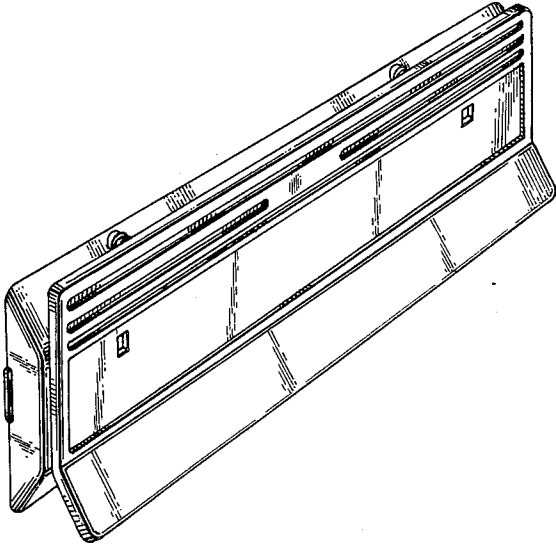


FIG. 1

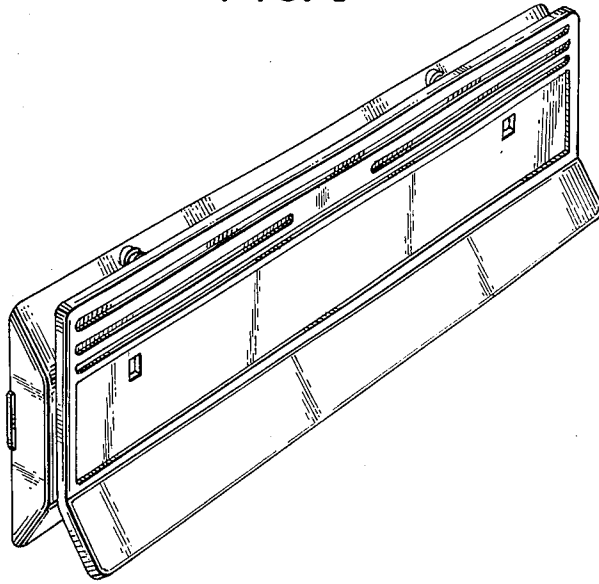
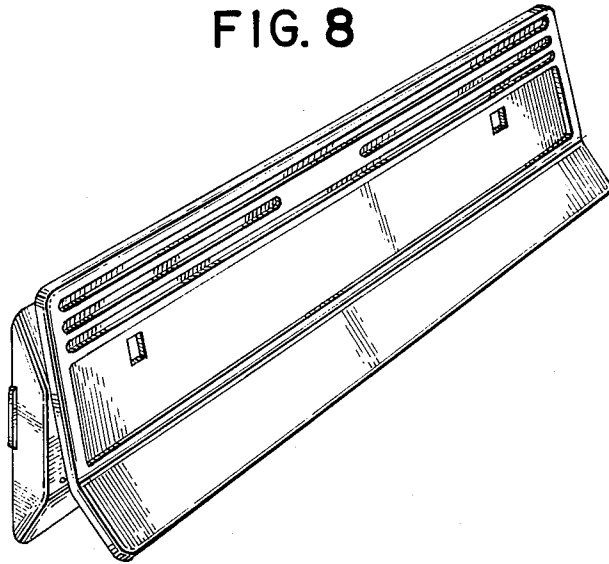


FIG. 8



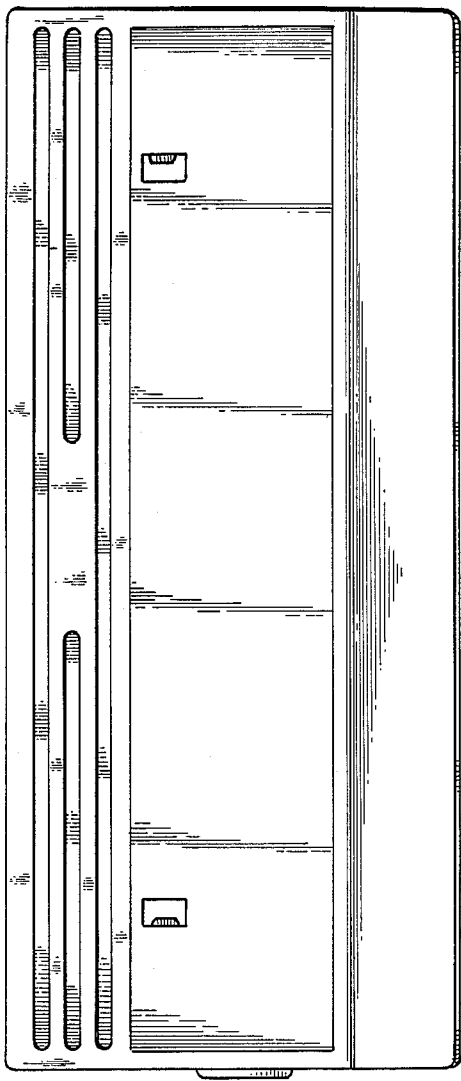


FIG. 2

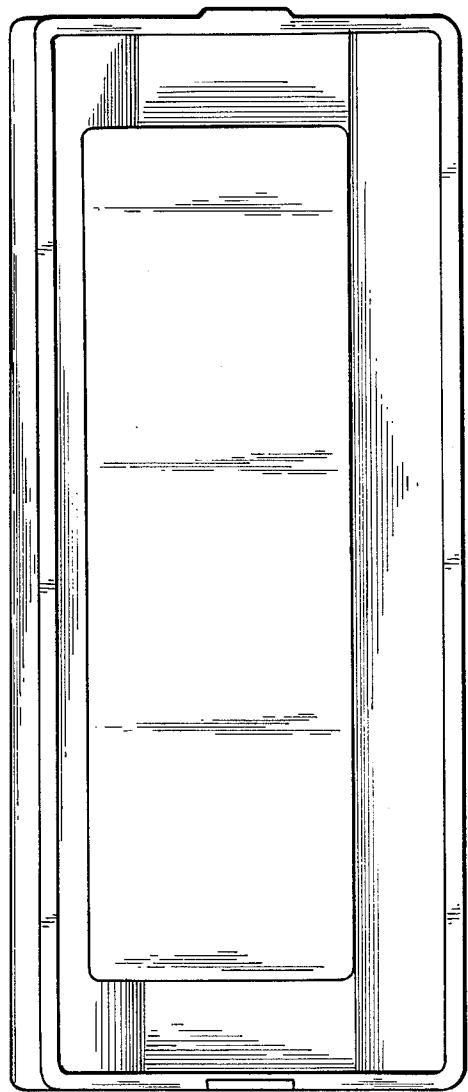


FIG. 3

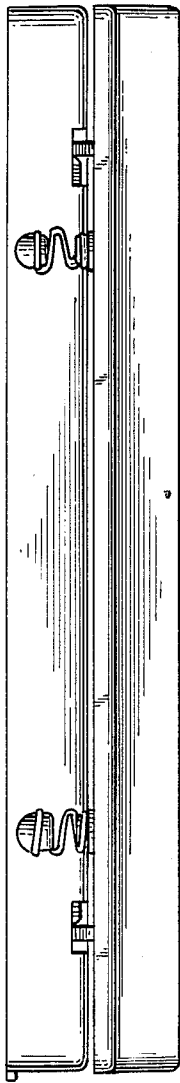


FIG. 4

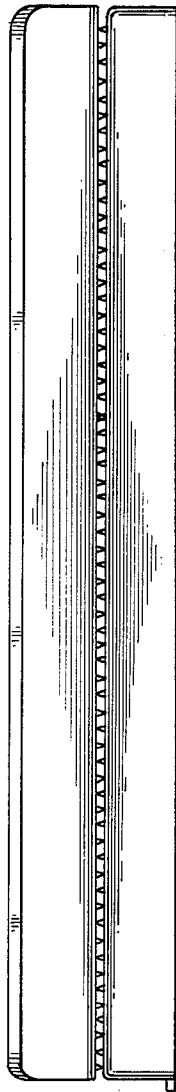


FIG. 5

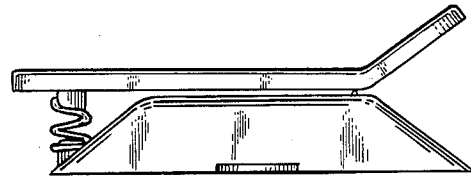


FIG. 6



FIG. 7