



US00D840851S

(12) **United States Design Patent**
Ammar et al.

(10) **Patent No.:** **US D840,851 S**

(45) **Date of Patent:** **** Feb. 19, 2019**

(54) **PASSIVE MILLIMETER WAVE IMAGING DEVICE**

(71) Applicant: **Vu Systems, LLC**, Morrisville, NC (US)

(72) Inventors: **Dan Ammar**, Orlando, FL (US); **J. Stedman Stevens**, Wilmington, NC (US)

(73) Assignee: **VU SYSTEMS, LLC**, Morrisville, NC (US)

(**) Term: **15 Years**

(21) Appl. No.: **29/600,150**

(22) Filed: **Apr. 10, 2017**

(51) **LOC (11) Cl.** **10-05**

(52) **U.S. Cl.**
USPC **D10/104.1**; D10/46

(58) **Field of Classification Search**
USPC D16/200, 202–206, 208, 218, 219;
D10/46, 47, 75–81, 104.1, 106.6;
348/164, 347, 373–376; 396/535,
396/539–541; 250/330, 332
CPC G03B 15/03; G03B 17/02; G03B 17/04;
G03B 17/56; G03B 19/04; H04N 5/2251;
H04N 5/2252; H04N 5/2253; H04N
5/2254; H04N 2101/00; H04N 5/33;
H04N 5/332

See application file for complete search history.

(56) **References Cited**

U.S. PATENT DOCUMENTS

D446,306 S * 8/2001 Ochi D24/165
D456,020 S * 4/2002 Obata D14/336

D669,080 S * 10/2012 Iwai D14/422
D694,794 S * 12/2013 Cumming D15/146
D746,464 S * 12/2015 Rapoport D24/158
D758,470 S * 6/2016 Kircher D16/215
9,599,705 B2 * 3/2017 Wu G01S 13/887
D793,557 S * 8/2017 Thoma D24/158
D797,744 S * 9/2017 Tan D14/422
2015/0048964 A1 * 2/2015 Chen G01S 13/426
342/22

* cited by examiner

Primary Examiner — Philip S Hyder

Assistant Examiner — Ramzi S Almatrahi

(74) *Attorney, Agent, or Firm* — Myers Bigel, P.A.

(57) **CLAIM**

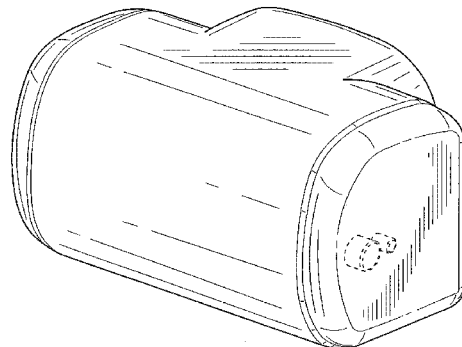
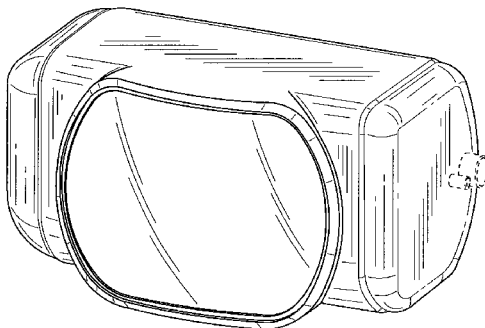
The ornamental design for a passive millimeter wave imaging device, as shown and described.

DESCRIPTION

FIG. 1 is a top, front perspective view of a passive millimeter wave imaging device showing our new design; FIG. 2 is a bottom, front perspective view thereof; FIG. 3 is a top, rear perspective view thereof; FIG. 4 is a bottom, rear perspective view thereof; FIG. 5 is a front elevation view thereof; FIG. 6 is a rear elevation view thereof; FIG. 7 is a side elevation view thereof; FIG. 8 is an opposite side elevation view thereof; FIG. 9 is a top plan view thereof; and, FIG. 10 is a bottom plan view thereof.

The broken lines depict portions of the passive millimeter wave imaging device in which the design is embodied that form no part of the claimed design.

1 Claim, 5 Drawing Sheets



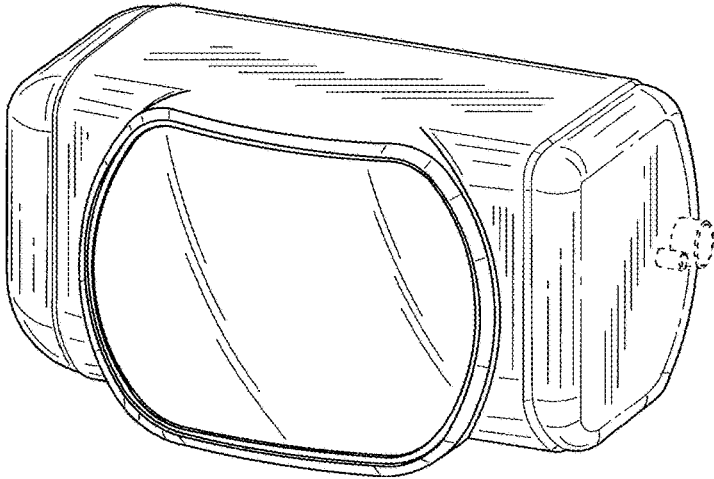


FIG. 1

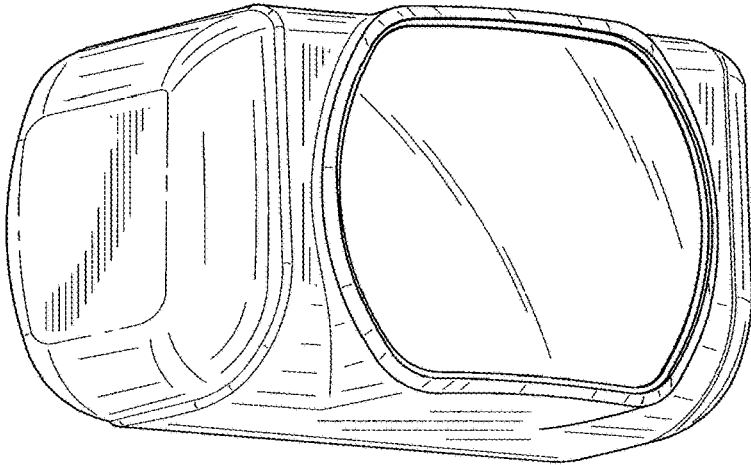


FIG. 2

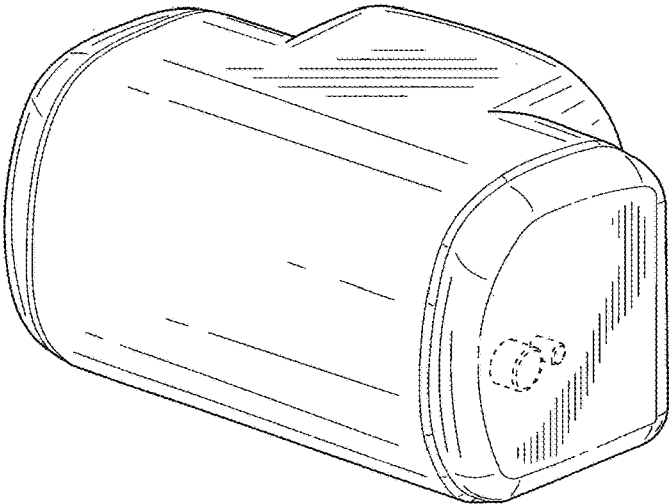


FIG. 3

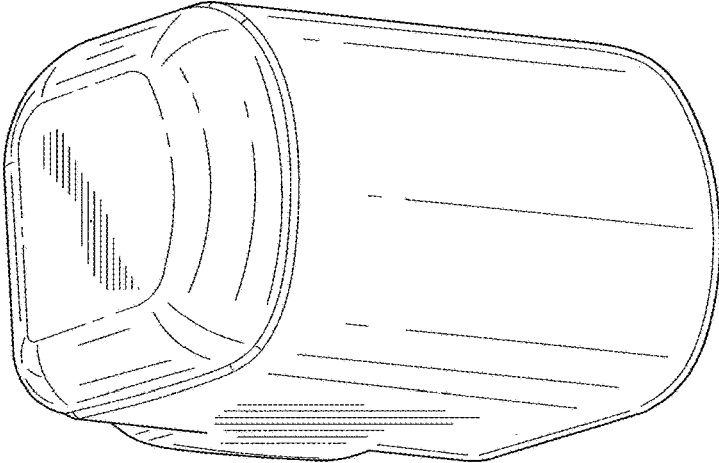


FIG. 4

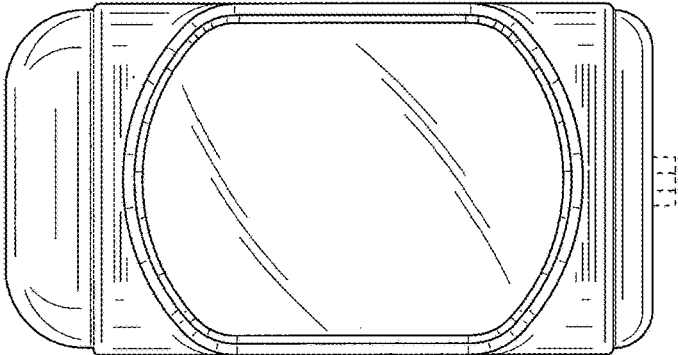


FIG. 5



FIG. 6

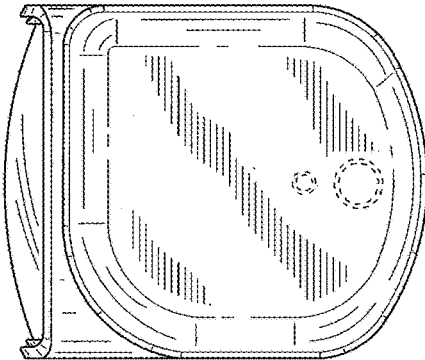


FIG. 7

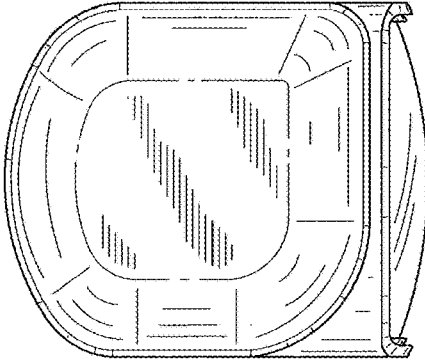


FIG. 8

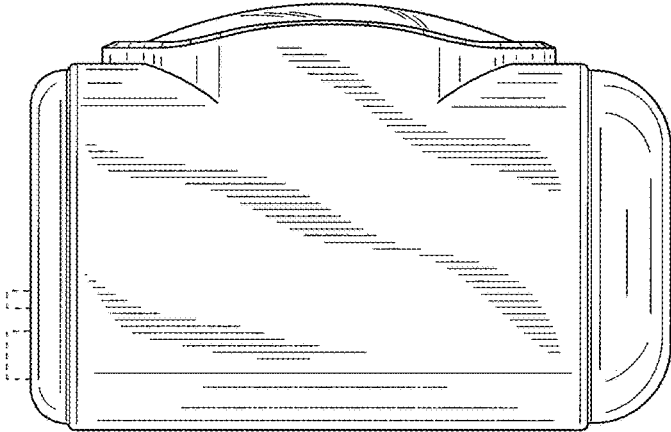


FIG. 9

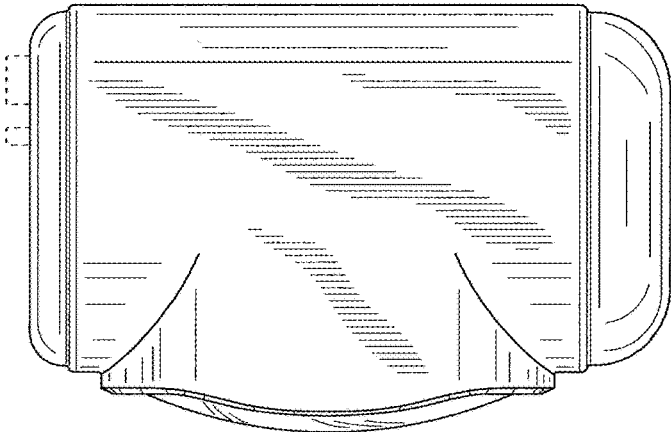


FIG. 10