



(51) International Patent Classification:
B65D 51/20 (2006.01)

(21) International Application Number:
PCT/EP2019/065083

(22) International Filing Date:
10 June 2019 (10.06.2019)

(25) Filing Language: English

(26) Publication Language: English

(30) Priority Data:
1809831.9 15 June 2018 (15.06.2018) GB

(71) Applicant: **KONINKLIJKE DOUWE EGBERTS B.V.**
[NL/NL]; Vleutensevaart 35, Utrecht 3532 AD (NL).

(72) Inventor: **YORK, Geoffrey**; c/o Jacobs Douwe Edberts
R&D GB Limited, Ruscote Avenue, Banbury Oxfordshire
OX16 2QU (GB).

(74) Agent: **WILSON GUNN (BIRMINGHAM)**; Charles
House, 148/9 Great Charles Street, Birmingham West Mid-
lands B3 3HT (GB).

(81) Designated States (unless otherwise indicated, for every
kind of national protection available): AE, AG, AL, AM,
AO, AT, AU, AZ, BA, BB, BG, BH, BN, BR, BW, BY, BZ,
CA, CH, CL, CN, CO, CR, CU, CZ, DE, DJ, DK, DM, DO,
DZ, EC, EE, EG, ES, FI, GB, GD, GE, GH, GM, GT, HN,
HR, HU, ID, IL, IN, IR, IS, JO, JP, KE, KG, KH, KN, KP,
KR, KW, KZ, LA, LC, LK, LR, LS, LU, LY, MA, MD, ME,
MG, MK, MN, MW, MX, MY, MZ, NA, NG, NI, NO, NZ,
OM, PA, PE, PG, PH, PL, PT, QA, RO, RS, RU, RW, SA,
SC, SD, SE, SG, SK, SL, SM, ST, SV, SY, TH, TJ, TM, TN,
TR, TT, TZ, UA, UG, US, UZ, VC, VN, ZA, ZM, ZW.

(84) Designated States (unless otherwise indicated, for every
kind of regional protection available): ARIPO (BW, GH,
GM, KE, LR, LS, MW, MZ, NA, RW, SD, SL, ST, SZ, TZ,
UG, ZM, ZW), Eurasian (AM, AZ, BY, KG, KZ, RU, TJ,
TM), European (AL, AT, BE, BG, CH, CY, CZ, DE, DK,
EE, ES, FI, FR, GB, GR, HR, HU, IE, IS, IT, LT, LU, LV,
MC, MK, MT, NL, NO, PL, PT, RO, RS, SE, SI, SK, SM,

(54) Title: CONTAINER LIDS AND METHODS OF MANUFACTURING THE SAME

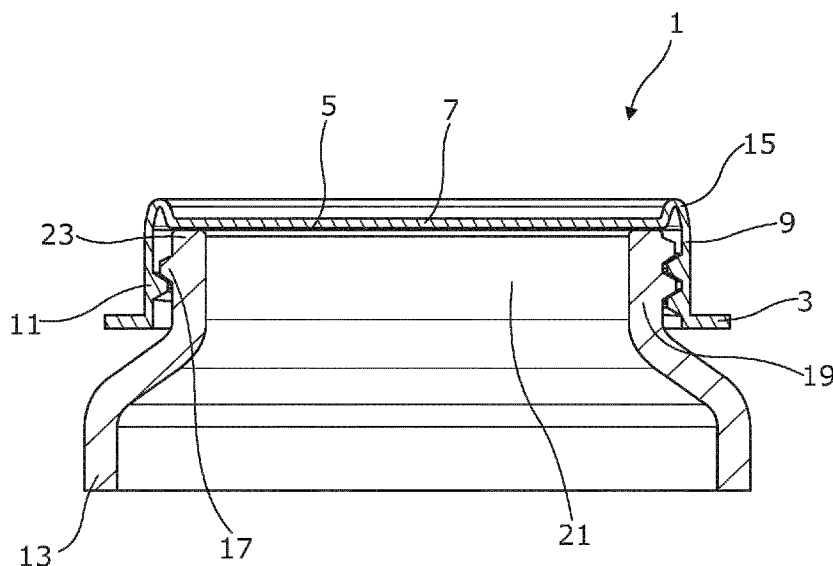


Figure 1

(57) Abstract: The invention provides a container lid (1) comprising: a closure panel (7) comprising an inside surface and an outside surface; a container fastening portion (9); and a liner (5) comprising one or more layers, connected to the inside surface of the closure panel, wherein the liner or at least a lowermost layer of the liner is detachable from the closure panel, characterized in that said container lid comprises a resilient portion (15) located between said closure panel and said fastening portion.



TR), OAPI (BF, BJ, CF, CG, CI, CM, GA, GN, GQ, GW,
KM, ML, MR, NE, SN, TD, TG).

Published:

— *with international search report (Art. 21(3))*

Container lids and methods of manufacturing the same

Technical Field of the Invention

The present invention relates to container lids and methods for manufacturing container lids. The present invention further relates to a use of container lids.

5 Background to the Invention

It is well known to use lids provided with laminated liners to hermetically seal containers such as tins or jars to protect food products from deterioration, such as for example coffee, cocoa, tea powder and/or spread.

Known laminated liners are commonly an assembly of several layers of different
10 materials attached to each other and fixedly positioned inside these lids, adjacent to the lids' internal surfaces. The lower layer is usually detachably connected to the rest of the layers of these liners.

The lower layer may be glued or otherwise sealed to the perimeter of the upper
rim of the neck of said containers, i.e. on their opening, in order to hermetically close and
15 isolate from the atmosphere the food products inside.

Once this lower layer is sealed on the containers' aperture, it remains so when the lid is subsequently removed for the first time, while the remaining layers of the laminated liner are detached from the lower layer and retained in the container lid.

At first opening of the container, after having removed the lid (by unscrewing it
20 for instance), the lower layer must then be removed from the neck of the container (peeled off) in order to access the containers.

The lower layer of these known liners is commonly a metal layer (also called foil) which provides a barrier to the atmosphere, particularly to oxygen in air, which is responsible for oxidation processes and affects quality of the food products inside the containers, reducing their shelf life. The remaining layers of the liner usually consist of
5 cardboard, adhesives layers, plastic layers and/or a combination of these different materials.

These laminated liners are usually secured into the lid by applying a force to the liners in order to push them in place. This assembly step may lead to several quality issues which include damage to the liner, which undergoes stress when inserted into the
10 lid, leading to delamination or loss of barrier properties due to scratches, cracks or faults that may occur, such as through excessive bending of the liner itself, during insertion into the lid, or when the lid is attached to the containers. These faults lead to sealing issues affecting the quality of the final food products.

The known solutions usually show rigidity of the lid structure, preventing the lid
15 structure from absorbing stresses or strains between the container neck and the lid during attachment to the container, and increasing material costs. Such rigidity of the lid can cause problems when attaching the lid to a container, such that any stresses or strains applied to the lid can cause detachment of the liner from the closure panel (or one or more layers thereof), which may make the lid unusable or jeopardise the hermetic sealing
20 of the lid and container.

Furthermore, the known solutions include additional expensive manufacturing processes, and result in increased cost for quality inspections of the lids after the phase of inserting the liners in the lids.

In addition, known liners and laminated liners need to be separated from the lid before recycling the lid, as the known liners comprise materials not compatible with recycling of the plastic lids.

5 It would be therefore advantageous to provide a solution which would improve the quality of the final product, ensuring protection of the liner when positioned inside the lid, and therefore ensuring a long-lasting shelf-life of the food ingredients and high levels of hygiene.

10 It would be further advantageous to provide a solution which confers flexibility to the lids to absorb stresses and strains within the lid, and/or between the container neck and the lid during manufacture (especially connection of the lid to the container) and use, and to mitigate delamination of the laminated liners prematurely.

It would be further advantageous to provide a solution which would lead to a reduction of manufacturing costs by reducing the number of steps of manufacturing processes for such lids and/or the need for additional inspection.

15 It would be advantageous to provide a solution which would improve post -use disposal of the container lids for consumers, through not having to separate any remaining layers of a liner or laminated liner from the lid before disposal.

It would also be advantageous to provide a solution which would provide tamper evidence through the sealed closure of a container.

20 It would be finally advantageous to provide a solution which would improve flexibility of the lid to allow accurate angular positioning of the lid with respect to the container itself (for example for rectangular shapes).

It is therefore an aim of embodiments of the invention to mitigate or overcome at least one problem of the prior art.

Summary of the Invention

5 According to a first aspect of the invention there is provided a container lid comprising: a closure panel having an inside surface and an outside surface; a container fastening portion; and a liner comprising one or more layers connected to the inside surface of the closure panel, wherein the liner or at least a lowermost layer of the liner is detachable from the closure panel, characterized in that said container lid comprises a
10 resilient portion located between said closure panel and said fastening portion.

In some embodiments said liner or said at least one lowermost layer is releasably connected to the closure panel by way of an adhesive. The liner or said at least one lowermost layer of said liner may comprise a metal layer. The metal layer may comprise an aluminium layer, which may comprise a polymer-coated aluminium layer.

15 The liner or the at least lowermost layer of the liner may form a container opening sealing layer, arranged in use to seal an opening of a container to which the lid is connected.

 According to a second aspect of the invention there is provided a container lid comprising a closure panel comprising: an inside surface and an outside surface; a
20 container fastening portion; and a laminated liner comprising at least an upper layer and at least a lower layer, the upper layer being at least partially moulded into the inside surface of the closure panel and the lower layer of the laminated liner being releasably

connected to the upper layer, characterised in that the container lid comprises a resilient portion located between the closure panel and the fastening portion.

In a preferred embodiment, the lower layer is releasably connected to the upper layer by way of an adhesive layer. The adhesive layer may comprise an adhesive material
5 selected from a lacquer, wax, polyolefin or a combination thereof.

The lower layer may be a container opening sealing layer, arranged in use to seal an opening of a container to which the lid is connected.

Preferably, the lower layer comprises a metal layer. More preferably the metal layer may comprise an aluminium layer, which may comprise a polymer coated
10 aluminium layer.

In some embodiments, the upper layer may comprise material selected from cartonboard, paper, a polymeric substrate, resin or a combination thereof. In a preferred embodiment, the polymeric substrate may comprise polyethylene, polypropylene, polyethylene terephthalate, and/or polylactic acid (PLA) and/or any combination thereof.

15 In another embodiment, the lower layer may comprise a plastic substrate which is incompatible with the plastic substrate of the upper layer.

Preferably the lower layer has the same diameter and/or dimensions as the upper layer. More preferably, the lower layer has the same shape as the upper layer.

The following statements apply equally to the first and second aspects of the
20 invention.

In some embodiments, the shape of the liner may match the shape of said closure panel. Preferably the shape of the liner may comprise a shape selected from a disc, circle, oval, triangle, trapezium, rectangle, square, parallelogram or pentagon.

The resilient portion may comprise a spring positioned between the fastening
5 portion and the closure panel.

In some embodiments, the resilient portion may be in the form of a resilient rim located between the closure panel and fastening portion. The resilient rim may extend around the whole closure panel or one or more sections thereof.

At least part of the resilient rim may be elastically deformable. In some
10 embodiments, the at least partially elastically deformable resilient rim is positioned between and contiguously with the closure panel and the fastening portion and protrudes above said closure panel (or above the plane of said closure panel). It is believed this allows absorption of stresses and/or strains applied to the closure panel, fastening portion or lid per se, during manufacture and/or, attachment to the container, and/or detachment
15 from the container.

Preferably, the rim comprises a double-walled rim comprising spaced apart first and second walls. Said spaced apart first and second walls may comprise a gap between them. At least part of the gap may protrude above the closure panel. It is believed that this configuration assists in absorbing stresses and strains within the lid, and/or between
20 the container neck and the lid during manufacture (especially connection of the lid to the container) and use, and to mitigate delamination of the laminated liners prematurely.

The first and second walls may be connected at an upper end thereof and the walls may be movable resiliently towards and away from each other. Thus, the double-walled

rim may comprise a spring, which is compressible to move the two walls together, and which will move back to its uncompressed configuration on release of a compressing force.

5 A portion of the rim may protrude above the periphery of the upper surface of the closure panel. In embodiments with a double-walled rim, at least a portion of the rim may protrude above the upper surface of the closure panel, and preferably the connected end of the first and second walls protrudes, above the upper surface of the closure panel.

More preferably, the rim is integrally formed with the fastening portion and the closure panel.

10 In other embodiments, the resilient portion may consist of a resilient material. More preferably said resilient material may comprise an elastomeric material and/or rubber.

In a preferred embodiment, the elastomeric material or rubber is positioned between two non-elastomeric portions, for example between a non-elastomeric fastening portion and closure panel.

In some embodiments, the resilient portion between the closure panel and the fastening portion is the sole resilient portion, resilient means or resilient device of the lid.

In some embodiments, the fastening portion may comprise fastening means.

20 Preferably the fastening portion comprises a bayonnetted connection, a threaded connection (such as a screw thread), a snap on connection or a resilient clamp.

The fastening portion may comprise a wall or skirt extending around at least part of, and preferably the whole of the periphery of the closure panel.

In other embodiments, the lid comprises a material selected from a polymeric substrate, resin or a combination thereof. The polymeric substrate may comprise a plastics material, and may be selected from polyethylene, polypropylene, polyethylene terephthalate, and/or polylactic acid (PLA) and/or any combination thereof.

- 5 In preferred embodiments, the liner, lowermost layer of the line or lower layer of the laminated liner may be configured such that, in use, it is arranged to seal a container opening before and/or after detaching from the closure panel or upper layer.

Furthermore, the liner, lowermost layer or lower layer may be glued or heat-sealed to the opening of a container, in use.

- 10 According to a third aspect of the invention there is provide a method of manufacturing a container lid of the first or second aspects of the invention, the method comprising the steps of:

- (a) introducing a closure panel having a liner connected to the inside surface thereof into a mould cavity; and
- 15 (b) moulding a fastening portion around the closure panel such that the closure panel is integrated with the fastening portion.

The resilient portion of the lid may comprise part of the closure panel and step (b) may comprise moulding a fastening portion to the resilient portion.

- The resilient portion of the lid may be formed during moulding of the fastening portion and may be integrally formed with the fastening portion and the closure panel during moulding.
- 20

The moulding technique may be injection-moulding.

According to a fourth aspect of the invention there is provided a method for manufacturing a container lid of the second aspect of the invention, comprising the steps of introducing a laminated liner into a mould cavity against or adjacent to a mould part corresponding to the closure panel; and moulding the container lid such that the upper
5 layer of the laminated liner is at least partially moulded into the inside surface of the closure panel.

According to a fifth aspect of the invention there is provided use of a container lid of the first or second aspect of the invention on a food and beverage ingredient container.

According to a sixth aspect of the invention there is provided an ingredient
10 container suitable for food and beverage ingredients, including a container lid of the invention.

Detailed Description of the Invention

In order that the invention may be more clearly understood, embodiments thereof
15 will now be described, by way of example only, with reference to the accompanying drawings of which:

Figure 1 illustrates a side cross-sectional view of a first embodiment of the container lid of the invention attached to a container according to the invention;

Figure 2 illustrates a side cross-sectional view of a laminated liner for use in a
20 container lid according to the invention;

Figure 3 illustrates a side cross-sectional view of an alternative embodiment of the container lid of the first aspect of invention attached to a container according to the invention; and

Figure 4 illustrates a detail of a side view of a resilient portion of a third embodiment of a container lid, according to the invention.

Referring to the Figures like numbers represent like components.

Referring firstly to Figure 1 an embodiment of an ingredient container comprising
5 an assembly (1) of a container lid (3) provided with a laminated liner (5) and secured to an ingredient container (13), is shown.

In this embodiment, the container lid (3) is provided with a closure panel (7) and a fastening portion (9), pendent from the closure panel (7) and connected to it by means of a resilient portion in the form of a double-walled rim (15). The container lid (3) is
10 secured to an ingredient container neck (19) of the container (13) through a threaded connection (11) positioned on the fastening portion (9) of the container lid (3). A reciprocal threaded connection (17), positioned on the ingredient container neck (19), allows a secured connection between the container lid (3) and the container (13). The laminated liner (5) is located between the closure panel (7) and an ingredient container
15 neck rim (23), adjacent to the closure panel (7). The laminated liner (5) entirely closes the opening of the container (13), which is in the form of a container aperture (21), ensuring hygiene and shelf life of food ingredients inside the container (13).

In the embodiment of Figure 1 the container lid (3) is secured to the ingredient container neck (19) by a standard closure as for example a screw closure for sealing an
20 ingredient container such as for instance a jar. Particularly, the container lid (3) is screwed on the ingredient container neck (19) through threaded connections (17, 11) in the form of reciprocal spiral protrusions positioned respectively on the ingredient container neck (19) and on the container lid fastening portion (9).

In other embodiments, alternative solutions (not shown) can be taken into consideration to secure the container lid (3) to the container neck (19). For instance, the container lid (3) can be clipped on, snapped on or alternatively clamped on the container neck (19).

5 According to the embodiment of Figure 1, when the container lid is engaged/secured to the ingredient container neck (19), the laminated liner (5) is positioned into the gap or space left between the closure panel (7) of the container lid (3) and the ingredient container neck rim (23).

 The laminated liner (5) and the closure panel (7) are aligned with each other so
10 that the external perimeters (not shown) and shapes of the laminated liner (5) and the closure panel (7) match each other.

 As shown in Figure 1, the container lid (3) has a resilient portion positioned between the closure panel (7) and the fastening portion (9). The resilient portion is in the form of a resilient double-walled rim (15), having two spaced apart walls, one wall
15 contiguous with the closure panel (7) and the other contiguous with the fastening portion (9), and which join at an apex therebetween. The double-walled rim (15) acts as a spring in which the two walls can flex together when then rim (15), closure panel (7) or fastening portion (9) are compressed or pressure is applied. The double-walled rim (15) then returns to its original, open position on cessation of pressure or compression. The
20 double-walled rim (15) therefore ensures flexibility of the container lid structure and allows the absorption of flexure or flexing of the container lid (3) between the fastening portion (9) of the container lid (3) and the ingredient container neck (19) when the container lid (3) is secured to the ingredient container neck (9), thus preventing unwanted

detachment of the laminated liner (5) as a whole, which may otherwise be detached if the closure panel (7) is flexed.

Alternatively, the resilient portion may include a different spring configuration to the double-walled rim (15), (not shown) positioned between the closure panel (7) and the fastening portion (9) of the container lid (3), in order to absorb stresses and/or strains applied to the closure panel (7), fastening portion (9) or lid (3) per se, during manufacture and/or, attachment to the container (13) and/or detachment from the container (13). Alternative springs may include a helical spring or a concertina material, for example.

Further, resilient properties can be conferred to the container lid structure by reducing the thickness of the container lid (3) itself (not shown).

In the embodiment of Figure 1, the container (13) is in the form of a jar which may be made of glass or plastic material or any alternative suitable material. The container (13) is suitable for containing, storing and preserving food ingredients in the form of powders such as coffee, tea, cocoa etc. and/or spreads, for example.

Referring to Figure 2, the laminated liner (5) shown in Figure 1 is shown in more detail. The laminated liner (5) is provided by the combination of a lower layer (52) and an upper layer (51) in such a way that the lower surface of the upper layer (51) detachably adheres to the upper surface of the lower layer (52). Both layers (51, 52) are aligned with each other so that the lower surface of the upper layer (51) is configured on the upper surface of the lower layer (52) and the external perimeters (not shown) and shapes of the two layers (51, 52) match each other.

The two layers (51, 52) in this embodiment are maintained adjacent by the conformation, shape and/or structure of the abutting surfaces which comprise gripping

means which may for example be textured and/or embossed areas of one or both layers (51,52), ensuring a stable engagement of the two layers (51,52) one to the other.

In an alternative arrangement of the first embodiment (not shown), the two layers (51, 52) may be kept adjacent and aligned through an adhesive material (not shown) which may be applied to the abutting surfaces of one or both the adjacent layers (51, 52).

In a further arrangement, as an alternative solution, the layers' (51, 52) surfaces to be releasably connected may be made of and/or incorporate an adhesive or tacky material which makes the two surfaces releasably adhere to each other, keeping them connected until further forces are applied to them.

Further, in other arrangements, to ensure that the two layers stay in contact, a wax type material may be used as an alternative to or in combination with the adhesive material.

In the arrangement of the first embodiment, the connection between the lower layer (52) and the upper layer (51) is a releasable connection, i.e. the two layers (51, 52) can be separated from each other through an action performed by the user which breaks this connection.

In a preferred arrangement, the lower and upper layers (51, 52) have identical shapes and these may include a disc, circle, oval, triangle, trapezium, rectangle, square, parallelogram, or pentagon shape.

The lower layer (52) of Figure 2 may be in the form of an aluminium foil, while the upper layer (51) may be in the form of a plastic material, such as for instance polyethylene (PE), polyethylene terephthalate (PET), polypropylene (PP), and/or polylactic acid (PLA), ethylene vinyl alcohol (EVOH) or a combination thereof. For

manufacturing the upper layer (51) any combination of the abovementioned materials can be taken into consideration.

The two-layer laminated liner (5) is moulded within the container lid (3) through an in-mould labelling process. The upper layer (51) of the two-layer laminated liner (5) is an integral part of the closure panel (7), leaving the lower layer (52) releasably attached to the closure panel (7) via one of the releasable connections described above with regards to Figure 1 or 2. The closure panel (7) and the lower layer (52) of the two-layer laminated liner (5) can therefore be separated from each other through an action performed by the user which breaks this connection.

The lower layer (52) of the two-layer laminated liner (5) within the container lid (3) is then sealed to the ingredient container neck rim (23) by a wet glue process (not shown), i.e. applying wet glue to the rim (23) and sealing/pressing the lid (3) including the lower layer (52) onto the glued rim (23). In this way, the underside of the lower layer (52) of the two-layer laminated liner (5) adheres to the rim (23) to secure the laminated liner (52) across the neck (23). This ensures hygiene and shelf life of the ingredient inside the container (13). Thus, at least the lower layer (52) of the laminated liner (5) can also be considered a seal or cover for the rim (23) or opening of an ingredient container (13).

As the container lid (3) is unscrewed, the join between the closure panel (7) and lower layer (52) is ruptured and the lower layer (52) remains sealed on the ingredient container neck rim (23) of the ingredient container (3).

In an alternative arrangement, the lower layer (52) of the two-layer laminated liner (5) is provided with a thin plastic layer (not shown) on the lower layer surface (not shown) abutting the ingredient container neck rim (23). The laminated liner (5) is then sealed to the ingredient container neck rim (23) by a heat-sealing process (not shown),

i.e. applying heat to the container lid (3) and sealing the lid (3) including the lower layer (52) onto the container neck rim (23). The thin plastic layer (not shown) on the lower surface of the lower layer (52) may comprise polyethylene (PE), polyethylene terephthalate (PET), polypropylene (PP), and/or polylactic acid (PLA), ethylene vinyl alcohol (EVOH) or a combination thereof. This alternative arrangement is suitable for containers made of plastic substrates for instance polyethylene (PE), polyethylene terephthalate (PET), polypropylene (PP), and/or polylactic acid (PLA), ethylene vinyl alcohol (EVOH) or a combination thereof which are compatible with the plastic substrate of the thin plastic layer on the lower layer (52) of the two-layer laminated liner (5).

10 We refer now to Figure 3, which shows an alternative embodiment of an ingredient container comprising an assembly (101) of a container lid (103) (comprising a closure panel (107) and fastening portion (109)) provided with a laminated liner (105) and secured to an ingredient container (113), is shown. The assembly (101) and the container lid (103) is similar to the assembly (1) and container lid (3) of the embodiment shown in Figure 1 save that the liner (105) is a single layer, rather than a laminated liner with multiple layers.

In the embodiment of Figure 3 the liner (105) is in the form of a single layer liner. Particularly the single layer liner (105) is made of a single metal foil (for example aluminium foil) releasably attached to the closure panel (107), for example by means of an adhesive as described in Figure 2.

20 The single layer liner (105) of Figure 3 is a pre-assembled liner, connected to the closure panel (107) through a state of the art laminating process (not shown). This pre-formed assembly, composed of the single layer liner (105) releasably attached to the closure panel (107), is then mounted or formed on the lid (103) by moulding the

fastening portion (109) of the lid (103) around the pre-formed assembly. The resulting lid (103) includes therefore the closure panel (107) moulded within the fastening portion (109) and the single layer liner (105) detachably connected to the closure panel (107). The resilient portion of the lid (103) is integrally moulded between the closure panel (107) and the fastening portion (109) during moulding of the fastening portion (109), or alternatively may be an integral part of the initial closure panel (107) and pendent therefrom.

Figure 4, show the detail of a cross-sectional side view of the resilient portion of a third embodiment of a container lid (3) of the invention. The lid (3) of Figure 4 is similar to the lid (3) of Figure 1 save that an alternative resilient portion (115) is present. The resilient portion (115) is in the form of a resilient rim made of a resilient material or substrate, such as, for instance, an elastomeric polymeric material, or rubber. The resilient portion (115) comprises a single-walled elastomeric rim (115) positioned between two non-elastomeric portions, namely the fastening portion (9) and the closure panel (7) both made of for instance polyethylene (PE), polyethylene terephthalate (PET), polypropylene (PP), and/or polylactic acid (PLA), ethylene vinyl alcohol (EVOH) or a combination thereof.

The single-walled elastomeric rim (115) is integrally formed with the fastening portion (9) and the panel closure (7).

20

Manufacture of the liners, lids and containers of the invention

Example 1

An embodiment of a method of production of a laminated liner (5) described for Figures 1-3 is described hereafter. The method includes 7 stages, as follows:

Stage 1 - the upper and lower layer of the liner are laminated together;

Stage 2 - the laminated layers are rolled into a reel and sent to a drive roller station;

Stage 3 - at the drive roller station the laminated liner (5) is flattened and centred
5 in order to be ready for a pre-cutting;

Stage 4 - the liner (5) is pre-cut into discs (or other relevant shapes) then is sent to a moulding station;

Stage 5 - at the moulding station:

a) a pre-cut liner disc (or other relevant shape) is immediately inserted into a
10 moulding cavity against a mould part corresponding to the closure panel (7) of the lid (3);

b) the mould is then prepared and plastics material is mixed, melted and sent to the mould cavity through a standard injection moulding system;

c) an in-mould labelling process is carried out to produce the container lids
15 (3), such that said upper layer of said laminated liner (5) is at least partially moulded into said inside surface of said closure panel (7);

d) the container lids (3) are then sent to the control station.

Stages b) and c) are performed simultaneously.

Stage 6 -at the controlling station each lid (3) is checked by a control means
20 (which may be visual, for example a camera, but any suitable control means may be used) to detect the presence of the liner in the lids (3). The lids (3) which pass the control are then sent to the packaging station;

Stage 7 -the lids (3) are applied to containers (13) filled with food or beverage ingredients in order to be sealed. The rim of the opening of the container(s) is provided

with an adhesive, which permanently seals the lower most layer (52) of the liner (5) to the rim, as the lids (3) are attached to the container (13).

An alternative Stage 7 may be as follows:

Stage 7 - those lids (3) are applied to containers (13) filled with food or beverage ingredients in order to be sealed. A heat-sealing process is applied to the external surface of the lids (3), permanently sealing the lower most layer (52) of the liner (5) to the rim (25) of the container (13).

The above embodiments are described by way of example only. Many variations are possible without departing from the scope of the invention as defined in the appended claims.

CLAIMS

1. A container lid comprising:
 - a closure panel comprising an inside surface and an outside surface;
 - a container fastening portion;
 - 5 and a liner comprising one or more layers, connected to the inside surface of the closure panel, wherein the liner or at least a lowermost layer of the liner is detachable from the closure panel **characterized in that** said container lid comprises a resilient portion located between said closure panel and said fastening portion.
- 10 2. A container lid according to claim 1 wherein said liner or said lowermost layer is releasably connected to the closure panel by way of an adhesive.
3. A container lid according to claim 1 or 2 wherein said liner or lowermost layer of said liner comprises a metal layer.
4. A container lid according to claim 3, wherein said metal layer comprises an
15 aluminium layer.
5. A container lid according to claim 4, wherein said aluminium layer comprises a polymer coated aluminium layer.
6. A container lid according to any preceding claim wherein said resilient portion is in the form of a resilient rim located between the closure panel and fastening
20 portion.
7. A container lid according to claim 6 wherein said rim comprises a double-walled rim comprising spaced apart first and second walls.

8. A container lid according to claim 6 or 7 wherein a portion of said rim protrudes above the periphery of the upper surface of the closure panel.
9. A container lid according to any one of claims 6 to 8 wherein said rim is integrally formed with said fastening portion and said panel closure.
- 5 10. A container lid according to any preceding claim wherein said fastening portion comprises fastening means.
11. A container lid according to claim 10 wherein said fastening means comprises a bayonnetted connection, a snap-fit connection, a threaded connection or a resilient clamp.
- 10 12. A container lid as claimed in any preceding claim, wherein the liner comprises a laminated liner comprising at least an upper layer and at least a lower layer, said upper layer is at least partially moulded into the inside surface of said closure panel and said lower layer is releasably connected to said upper layer.
13. A container lid according to claim 12 wherein said lower layer is releasably
15 connected to said upper layer by way of an adhesive layer.
14. A container lid according to claim 13 wherein said adhesive layer comprises an adhesive material selected from a lacquer, wax, polyolefin or a combination thereof.
15. A container lid according to any one of claims 12 to 14 wherein said lower layer
20 comprises a metal layer.
16. A container lid according to claim 15, wherein said metal layer comprises an aluminium layer.

17. A container lid according to claim 16, wherein said aluminium layer comprises a polymer coated aluminium layer.
18. A container lid according to any one of claims 12 to 17, wherein said upper layer comprises material selected from a polymeric substrate, resin or a combination thereof.
- 5
19. A container lid according to claim 18, wherein said polymeric substrate comprises polyethylene.
20. A method of manufacturing a container lid as claimed in any preceding claim, the method comprising the steps of:
- 10
- a) introducing a closure panel having a liner connected to the inside surface thereof into a mould cavity; and
 - b) moulding a fastening portion around the closure panel such that the closure panel is integrated with the fastening portion.
21. A method as claimed in claim 20 wherein the resilient portion of the lid comprises part of the closure panel and step (b) comprises moulding a fastening portion to the resilient portion.
- 15
22. A method as claimed in claim 20, wherein the resilient portion of the lid is formed during moulding of the fastening portion.
23. A method for manufacturing a container lid as claimed in claims 12 to 19 comprising the steps of:
- 20

- (a) introducing a laminated liner comprising an upper layer and a detachable lower layer into a mould cavity against or adjacent to a mould part corresponding to the closure panel; and
- (b) moulding said container lid such that said upper layer of said laminated liner is at least partially moulded into said inside surface of said closure panel.
- 5
24. Use of a container lid as claimed in any one of claims 1 to 19 on a food and beverage ingredient container.
25. An ingredient container suitable for food and beverage ingredients including a container lid as claimed in any one of claims 1 to 19.
- 10

1/2

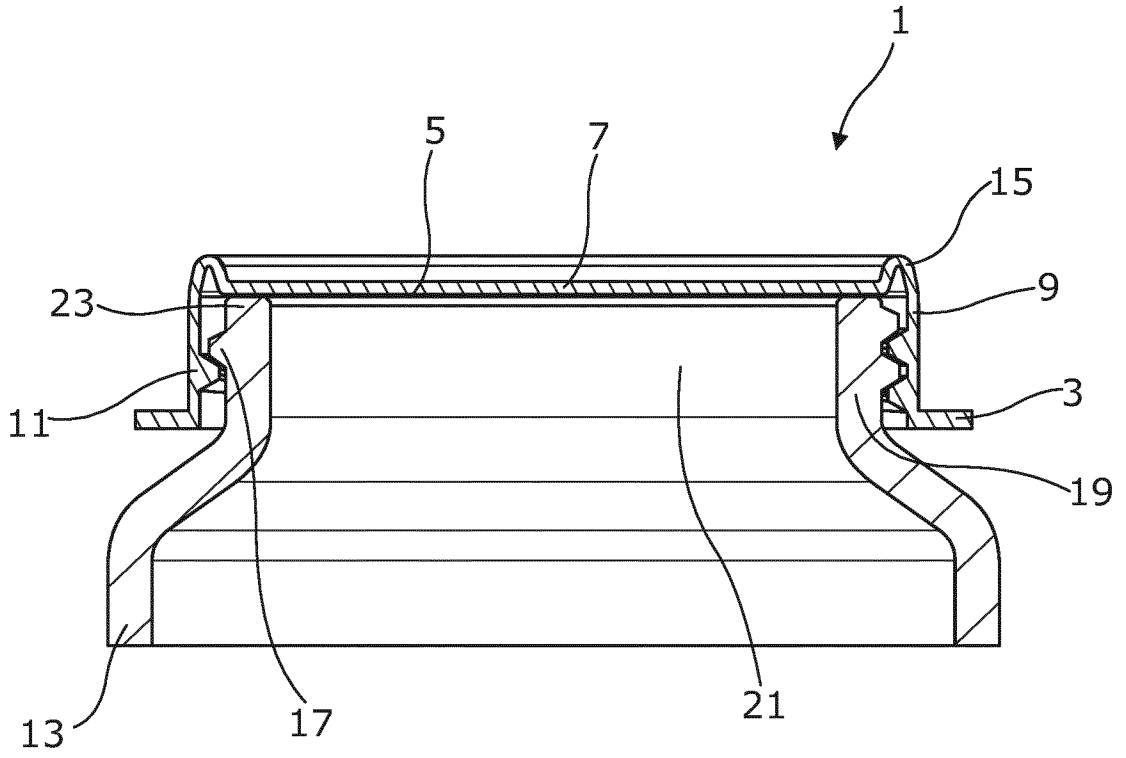


Figure 1

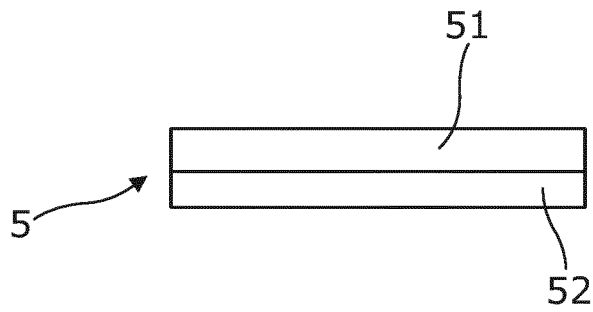


Figure 2

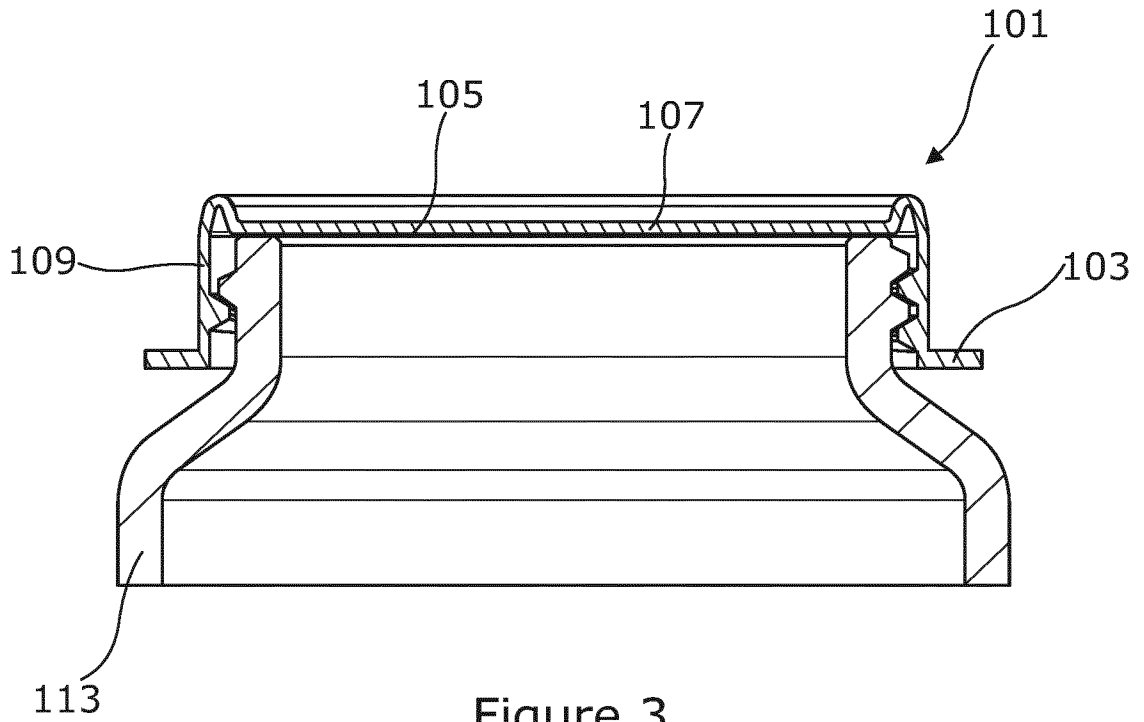


Figure 3

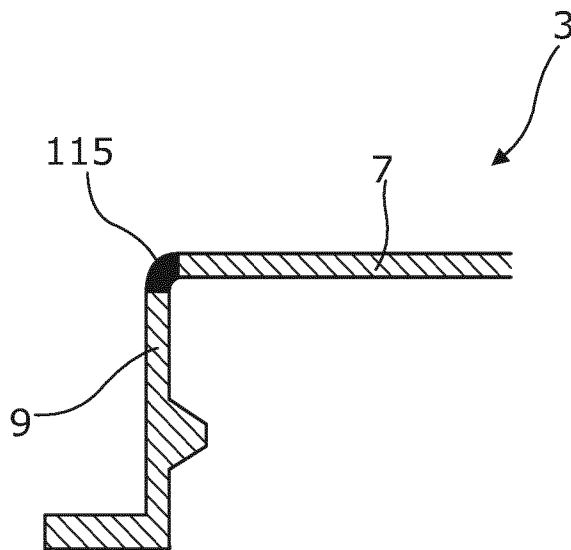


Figure 4

INTERNATIONAL SEARCH REPORT

International application No
PCT/EP2019/065083

A. CLASSIFICATION OF SUBJECT MATTER
INV. B65D51/20
ADD.

According to International Patent Classification (IPC) or to both national classification and IPC

B. FIELDS SEARCHED
Minimum documentation searched (classification system followed by classification symbols)
B65D

Documentation searched other than minimum documentation to the extent that such documents are included in the fields searched

Electronic data base consulted during the international search (name of data base and, where practicable, search terms used)
EPO-Internal, WPI Data

C. DOCUMENTS CONSIDERED TO BE RELEVANT

Category*	Citation of document, with indication, where appropriate, of the relevant passages	Relevant to claim No.
A	GB 2 052 455 A (DRG LTD) 28 January 1981 (1981-01-28) page 1, line 72 - line 111 page 2, line 30 - line 43; figure 2 -----	1,20,23
A	US 2008/237238 A1 (BLOOM KENNETH S [US] ET AL) 2 October 2008 (2008-10-02) paragraph [0012] - paragraph [0013]; figures 1-3 -----	1,24

Further documents are listed in the continuation of Box C.

See patent family annex.

* Special categories of cited documents :

- "A" document defining the general state of the art which is not considered to be of particular relevance
- "E" earlier application or patent but published on or after the international filing date
- "L" document which may throw doubts on priority claim(s) or which is cited to establish the publication date of another citation or other special reason (as specified)
- "O" document referring to an oral disclosure, use, exhibition or other means
- "P" document published prior to the international filing date but later than the priority date claimed

- "T" later document published after the international filing date or priority date and not in conflict with the application but cited to understand the principle or theory underlying the invention
- "X" document of particular relevance; the claimed invention cannot be considered novel or cannot be considered to involve an inventive step when the document is taken alone
- "Y" document of particular relevance; the claimed invention cannot be considered to involve an inventive step when the document is combined with one or more other such documents, such combination being obvious to a person skilled in the art
- "&" document member of the same patent family

Date of the actual completion of the international search 12 September 2019	Date of mailing of the international search report 20/09/2019
--	--

Name and mailing address of the ISA/ European Patent Office, P.B. 5818 Patentlaan 2 NL - 2280 HV Rijswijk Tel. (+31-70) 340-2040, Fax: (+31-70) 340-3016	Authorized officer Bridault, Alain
--	---

INTERNATIONAL SEARCH REPORT

Information on patent family members

International application No

PCT/EP2019/065083

Patent document cited in search report	Publication date	Patent family member(s)	Publication date
GB 2052455	A	28-01-1981	NONE

US 2008237238	A1	02-10-2008	US 2008237238 A1
			WO 2008121364 A2
			02-10-2008
			09-10-2008
