

(19) World Intellectual Property Organization
International Bureau



(43) International Publication Date
4 January 2007 (04.01.2007)

PCT

(10) International Publication Number
WO 2007/000570 A3

(51) International Patent Classification:

E05D 15144 (2006.01) E05D 5/12 (2006.01)
E05D 5/10 (2006.01) E05C 17/28 (2006.01)

(21) International Application Number:

PCT/GB2006/002213

(22) International Filing Date: 15 June 2006 (15.06.2006)

(25) Filing Language: English

(26) Publication Language: English

(30) Priority Data:

0513066.1 27 June 2005 (27.06.2005) GB

(71) Applicant (for all designated States except US): **SECURISTYLE LTD** [GB/GB]; Kingsmead Industrial Estate, Princess Elizabeth Way, Cheltenham GL51 7RE (GB).

(72) Inventors; and

(75) Inventors/Applicants (for US only): **SMITH, Mathew** [GB/GB]; 1 Waldon House, 40 Lansdown Road, Cheltenham, Gloucestershire GL51 6PU (GB). **HALL, Stephen** [GB/GB]; 6 Gratton Road, Leckhampton, Cheltenham, Gloucestershire GL50 2BS (GB).

(74) Agents: **JACKSON, Richard, Eric** et al.; Carpmaels & Ransford, 43-45 Bloomsbury Square, London WC1A 2RA (GB).

(81) Designated States (unless otherwise indicated, for every kind of national protection available): AE, AG, AL, AM, AT, AU, AZ, BA, BB, BG, BR, BW, BY, BZ, CA, CH, CN, CO, CR, CU, CZ, DE, DK, DM, DZ, EC, EE, EG, ES, FI, GB, GD, GE, GH, GM, HR, HU, ID, IL, IN, IS, JP, KE, KG, KM, KN, KP, KR, KZ, LC, LK, LR, LS, LT, LU, LV, LY, MA, MD, MG, MK, MN, MW, MX, MZ, NA, NG, NI, NO, NZ, OM, PG, PH, PL, PT, RO, RS, RU, SC, SD, SE, SG, SK, SL, SM, SY, TJ, TM, TN, TR, TT, TZ, UA, UG, US, UZ, VC, VN, ZA, ZM, ZW.

(84) Designated States (unless otherwise indicated, for every kind of regional protection available): ARIPO (BW, GH, GM, KE, LS, MW, MZ, NA, SD, SL, SZ, TZ, UG, ZM, ZW), Eurasian (AM, AZ, BY, KG, KZ, MD, RU, TJ, TM), European (AT, BE, BG, CH, CY, CZ, DE, DK, EE, ES, FI, FR, GB, GR, HU, IE, IS, IT, LT, LU, LV, MC, NL, PL, PT, RO, SE, SI, SK, TR), OAPI (BF, BJ, CF, CG, CI, CM, GA, GN, GQ, GW, ML, MR, NE, SN, TD, TG).

Published:

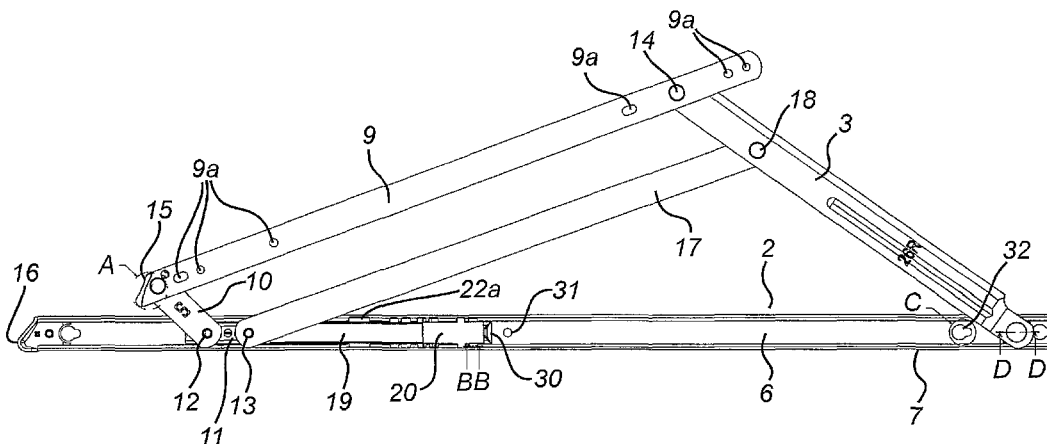
- with international search report
- before the expiration of the time limit for amending the claims and to be republished in the extent of receipt of amendments

(88) Date of publication of the international search report:

24 January 2008

For two-letter codes and other abbreviations, refer to the "Guidance Notes on Codes and Abbreviations" appearing at the beginning of each regular issue of the PCT Gazette.

(54) Title: **SASH HINGE**



(57) Abstract: A hinge for supporting a sash between a closed position, in which it lies within a fixed frame, and a plurality of open positions, in which it extends at an angle to the fixed frame. The angles of the plurality of open positions being determined by a restricting means between a support track (2) and a slider (11) mounted thereon. A support block (1) provides increased bearing surface and support for the fixing means (5) between the support track (2) and a link (3). A stay open restrictor device for preventing closure of a sash into a fixed frame.

WO 2007/000570 A3

INTERNATIONAL SEARCH REPORT

International application No
PCT/GB2006/002213

A. CLASSIFICATION OF SUBJECT MATTER
INV. E05D15/44 E05D5/10 E05D5/12 E05C17/28

According to International Patent Classification (IPC) or to both national classification and IPC

B. FIELDS SEARCHED

Minimum documentation searched (classification system followed by classification symbols)
E05D E05C

Documentation searched other than minimum documentation to the extent that such documents are Included In the fields searched

Electronic data base consulted during the International search (name of data base and, where practical, search terms used)

EPO-Internal

C. DOCUMENTS CONSIDERED TO BE RELEVANT

Category*	Citation of document, with Indication, where appropriate, of the relevant passages	Relevant to claim No.
X	US 5 735 021 A (BRIGGS JEFFREY M [US]) 7 April 1998 (1998-04-07)	1-4,7
Y	column 6, line 27 - line 45 column 6, line 62 - column 7, line 26 column 7, line 59 - column 8, line 5 figures 1-5	5,6,8
Y	US 5 083 344 A (PETTIT DEAN A [US] ET AL) 28 January 1992 (1992-01-28) column 2, line 49 - line 54 column 3, line 34 - line 43 column 3, line 60 - line 68 figure 1	5,6
Y	FR 2 667 347 A (EUROMOND LTD [GB]) 3 April 1992 (1992-04-03) page 13, line 8 - page 14, line 25; figures 8-10	8

Further documents are listed in the continuation of Box C.

See patent family annex.

* Special categories of cited documents :

"A" document defining the general state of the art which is not considered to be of particular relevance

"E" earlier document but published on or after the International filing date

"L" document which may throw doubts on priority claim(s) or which is cited to establish the publication date of another citation or other special reason (as specified)

"O" document referring to an oral disclosure, use, exhibition or other means

"P" document published prior to the International filing date but later than the priority date claimed

"T" later document published after the International filing date or priority date and not in conflict with the application but cited to understand the principle or theory underlying the invention

"X" document of particular relevance; the claimed invention cannot be considered novel or cannot be considered to involve an inventive step when the document is taken alone

"Y" document of particular relevance; the claimed invention cannot be considered to involve an inventive step when the document is combined with one or more other such documents, such combination being obvious to a person skilled in the art.

"&" document member of the same patent family

Date of the actual completion of the International search

26 November 2007

Date of mailing of the International search report

03/12/2007

Name and mailing address of the ISA/
European Patent Office, P.B. 5818 Patentlaan 2
NL-2250 HV Rijswijk
Tel. (+31-70) 340-2040, Tx. 31 651 epo nl,
Fax: (+31-70) 340-3016

Authorized officer

Van Kessel, Jeroen

INTERNATIONAL SEARCH REPORT

International application No
PCT/GB2006/002213

C(Continuation). DOCUMENTS CONSIDERED TO BE RELEVANT		
Category*	Citation of document, with Indication, where appropriate, of the relevant passages	Relevant to claim No.
A	US 4 226 002 A (DAVIS RONALD P) 7 October 1980 (1980-10-07) column 3, line 54 - column 4, line 6 column 6, line 17 - line 21 column 6, line 45 - line 53 figures 3,13,15 -----	1,3,5
X	GB 2 307 944 A (COTSWOLD ARCHITECT PROD [GB]) 11 June 1997 (1997-06-11) page 1, line 4 - line 11	9-12,21
Y	page 3, line 23 - page 5, line 19 figures 1-3 -----	13,18, 20,22
A	page 3, line 23 - page 5, line 19 figures 1-3 -----	17
X	GB 2 246 393 A (SECURISTYLE LTD [GB]) 29 January 1992 (1992-01-29) page 1, line 6 - line 19 page 4, line 12 - line 26 figures 1-4 -----	9-12
A	page 1, line 6 - line 19 page 4, line 12 - line 26 figures 1-4 -----	17
Y	GB 2 262 308 A (SECURISTYLE LTD [GB]) 16 June 1993 (1993-06-16) page 4, line 9 page 4, line 18 - line 29 page 5, line 9 - line 11 page 5, line 26 - line 29 page 6, line 11 - line 13 figures 1-3 -----	13,18, 20,22

INTERNATIONAL SEARCH REPORT

International application No.
PCT/GB2006/002213

Box No. II Observations where certain claims were found unsearchable (Continuation of Item 2 of first sheet)

This International search report has not been established in respect of certain claims under Article 17(2)(a) for the following reasons:

1. Claims Nos.:
because they relate to subject matter not required to be searched by this Authority, namely:

2. Claims Nos.:
because they relate to parts of the international application that do not comply with the prescribed requirements to such an extent that no meaningful international search can be carried out, specifically:

3. Claims Nos.:
because they are dependent claims and are not drafted in accordance with the second and third sentences of Rule 6.4(a).

Box No. III Observations where unity of invention is lacking (Continuation of Item 3 of first sheet)

This International Searching Authority found multiple inventions in this international application, as follows:

see additional sheet

1. As all required additional search fees were timely paid by the applicant, this international search report covers all searchable claims.
2. As all searchable claims could be searched without effort justifying an additional fees, this Authority did not invite payment of additional fees.
3. As only some of the required additional search fees were timely paid by the applicant, this international search report covers only those claims for which fees were paid, specifically claims Nos.:

4. No required additional search fees were timely paid by the applicant. Consequently, this international search report is restricted to the invention first mentioned in the claims; it is covered by claims Nos.:

Remark on Protest

- The additional search fees were accompanied by the applicant's protest and, where applicable, the payment of a protest fee.
- The additional search fees were accompanied by the applicant's protest but the applicable protest fee was not paid within the time limit specified in the invitation.
- No protest accompanied the payment of additional search fees.

FURTHER INFORMATION CONTINUED FROM POT/ISA/ 210

This International Searching Authority found multiple (groups of) inventions in this international application, as follows:

1. claims: 1-8,22,23

Hinge for supporting a sash

2. claims: 9-21

Stay open restrictor device

INTERNATIONAL SEARCH REPORT

Information on patent family members

International application No PCT/GB2006/002213

Patent document cited in search report	A	Publication date	Patent family member(s)	Publication date
US 5735021	A	07-04-1998	CA 2228794 A1	18-08-1998
US 5083344	A	28-01-1992	CA 2036308 A1	28-02-1992
FR 2667347	A	03-04-1992	CA 2052388 A1 GB 2249343 A	29-03-1992 06-05-1992
US 4226002	A	07-10-1980	AU 519016 B2 AU 4028078 A BR 7806477 A CA 1112405 A1 DK 432278 A EP 0001487 A1 EP 0024491 A1 IE 48170 B1 IT 1099658 B JP 1273439 C OP 54058932 A JP 59049994 B MY 7185 A NO 783306 A SG 76583 G	05-11-1981 03-04-1980 15-05-1979 17-11-1981 31-03-1979 18-04-1979 11-03-1981 17-10-1984 28-09-1985 11-07-1985 12-05-1979 05-12-1984 31-12-1985 02-04-1979 15-02-1985
GB 2307944	A	11-06-1997	NONE	
GB 2246393	A	29-01-1992	HK 55695 A	21-04-1995
GB 2262308	A	16-06-1993	NONE	