

(19) World Intellectual Property
Organization
International Bureau



(43) International Publication Date
3 October 2002 (03.10.2002)

PCT

(10) International Publication Number
WO 2002/076311 A3

(51) International Patent Classification⁷: A61B 17/34,
19/00

T.; 2877 Keasler Circle, West, Germantown, TN 38139 (US). SMITH, Maurice; 9285 Oak Knoll Cove, Cordova, TN 38018 (US).

(21) International Application Number:
PCT/US2002/008068

(74) Agents: WARMBOLD, David, A. et al.; Medtronic Sofamor Danek, 710 Medtronic Parkway LC340, Minneapolis, MN 55432 (US).

(22) International Filing Date: 18 March 2002 (18.03.2002)

(25) Filing Language: English

(81) Designated States (*national*): AE, AG, AL, AM, AT, AU, AZ, BA, BB, BG, BR, BY, BZ, CA, CH, CN, CO, CR, CU, CZ, DE, DK, DM, DZ, EC, EE, ES, FI, GB, GD, GE, GH, GM, HR, HU, ID, IL, IN, IS, JP, KE, KG, KP, KR, KZ, LC, LK, LR, LS, LT, LU, LV, MA, MD, MG, MK, MN, MW, MX, MZ, NO, NZ, OM, PH, PL, PT, RO, RU, SD, SE, SG, SI, SK, SL, TJ, TM, TN, TR, TT, TZ, UA, UG, UZ, VN, YU, ZA, ZM, ZW.

(26) Publication Language: English

(30) Priority Data:
09/815,693 23 March 2001 (23.03.2001) US

(71) Applicant: SDGI HOLDINGS, INC. [US/US]; 300 Delaware Avenue Suite 508, Wilmington, DE 19801 (US).

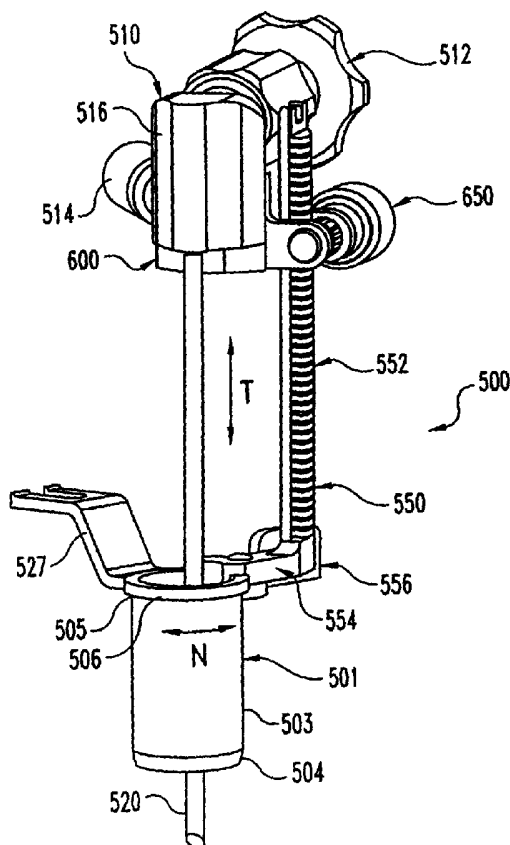
(72) Inventors: ROEHM, Thomas, E., III; 410 Highway 59, Braden, TN 38010 (US). NULL, William, B.; 5827 Eagleston Drive, Olive Branch, MS 38665 (US). FOLEY, Kevin,

(84) Designated States (*regional*): ARIPO patent (GH, GM, KE, LS, MW, MZ, SD, SL, SZ, TZ, UG, ZM, ZW), Eurasian patent (AM, AZ, BY, KG, KZ, MD, RU, TJ, TM), European patent (AT, BE, CH, CY, DE, DK, ES, FI, FR,

[Continued on next page]

(54) Title: DEVICES AND METHODS FOR PERCUTANEOUS SURGERY

(57) Abstract: Methods and devices for performing surgery in a patient are provided. A cannula provides a working channel for access to a location in the patient. A clamp assembly is removably engaged to the cannula. The clamp assembly allows use of an endoscopic viewing system or can be removed to allow use of a microscopic viewing system in order to view the surgical site in the patient through the working channel. The clamp assembly includes a viewing element mounting portion having a length along which an endoscopic viewing element can be selectively positioned.



WO 2002/076311 A3



GB, GR, IE, IT, LU, MC, NL, PT, SE, TR), OAPI patent
(BF, BJ, CF, CG, CI, CM, GA, GN, GQ, GW, ML, MR,
NE, SN, TD, TG).

(88) Date of publication of the international search report:
26 February 2004

Published:

— with international search report

For two-letter codes and other abbreviations, refer to the "Guidance Notes on Codes and Abbreviations" appearing at the beginning of each regular issue of the PCT Gazette.

INTERNATIONAL SEARCH REPORT

International Application No

PCT/US 02/08068

A. CLASSIFICATION OF SUBJECT MATTER
 IPC 7 A61B17/34 A61B19/00

According to International Patent Classification (IPC) or to both national classification and IPC

B. FIELDS SEARCHED

Minimum documentation searched (classification system followed by classification symbols)

IPC 7 A61B

Documentation searched other than minimum documentation to the extent that such documents are included in the fields searched

Electronic data base consulted during the international search (name of data base and, where practical, search terms used)

EPO-Internal

C. DOCUMENTS CONSIDERED TO BE RELEVANT

Category *	Citation of document, with indication, where appropriate, of the relevant passages	Relevant to claim No.
Y	WO 00 18306 A (SDGI HOLDINGS INC ;FOLEY KEVIN T (US); CLAYTON JOHN B (US); SMITH) 6 April 2000 (2000-04-06) abstract; figure 27 ---	1-16
Y	DE 299 16 026 U (AESCULAP AG & CO KG) 18 November 1999 (1999-11-18) abstract; figure 1 ---	1-16
A	DE 31 08 766 A (GMS GES MED SONDETECH) 23 September 1982 (1982-09-23) abstract; figure 1 ---	2-4
X,P	WO 01 54560 A (ENDIUS INC) 2 August 2001 (2001-08-02) abstract; figure 10 -----	1-5

Further documents are listed in the continuation of box C.

Patent family members are listed in annex.

* Special categories of cited documents :

"A" document defining the general state of the art which is not considered to be of particular relevance

"E" earlier document but published on or after the international filing date

"L" document which may throw doubts on priority claim(s) or which is cited to establish the publication date of another citation or other special reason (as specified)

"O" document referring to an oral disclosure, use, exhibition or other means

"P" document published prior to the international filing date but later than the priority date claimed

"T" later document published after the international filing date or priority date and not in conflict with the application but cited to understand the principle or theory underlying the invention

"X" document of particular relevance; the claimed invention cannot be considered novel or cannot be considered to involve an inventive step when the document is taken alone

"Y" document of particular relevance; the claimed invention cannot be considered to involve an inventive step when the document is combined with one or more other such documents, such combination being obvious to a person skilled in the art.

"&" document member of the same patent family

Date of the actual completion of the international search

22 July 2002

Date of mailing of the international search report

04.10.02

Name and mailing address of the ISA

European Patent Office, P.B. 5816 Patentlaan 2
 NL - 2280 HV Rijswijk
 Tel. (+31-70) 340-2040, Tx. 31 651 epo nl,
 Fax: (+31-70) 340-3016

Authorized officer

MOERS, R

INTERNATIONAL SEARCH REPORT

Information on patent family members

International Application No

PCT/US 02/08068

Patent document cited in search report	Publication date	Patent family member(s)	Publication date
WO 0018306	A	06-04-2000	US 6152871 A 28-11-2000
			AU 6055399 A 17-04-2000
			EP 1115341 A1 18-07-2001
			JP 2002525156 T 13-08-2002
			WO 0018306 A1 06-04-2000

DE 29916026	U	18-11-1999	DE 29916026 U1 18-11-1999

DE 3108766	A	23-09-1982	DE 3108766 A1 23-09-1982

WO 0154560	A	02-08-2001	US 6361488 B1 26-03-2002
			AU 3115201 A 07-08-2001
			WO 0154560 A2 02-08-2001

INTERNATIONAL SEARCH REPORT

International application No.
PCT/US 02/08068

Box I Observations where certain claims were found unsearchable (Continuation of item 1 of first sheet)

This International Search Report has not been established in respect of certain claims under Article 17(2)(a) for the following reasons:

1. Claims Nos.: 33-36
because they relate to subject matter not required to be searched by this Authority, namely:
Rule 39.1(iv) PCT - Method for treatment of the human or animal body by surgery
2. Claims Nos.:
because they relate to parts of the International Application that do not comply with the prescribed requirements to such an extent that no meaningful International Search can be carried out, specifically:
3. Claims Nos.:
because they are dependent claims and are not drafted in accordance with the second and third sentences of Rule 6.4(a).

Box II Observations where unity of invention is lacking (Continuation of item 2 of first sheet)

This International Searching Authority found multiple inventions in this international application, as follows:

see additional sheet

1. As all required additional search fees were timely paid by the applicant, this International Search Report covers all searchable claims.
2. As all searchable claims could be searched without effort justifying an additional fee, this Authority did not invite payment of any additional fee.
3. As only some of the required additional search fees were timely paid by the applicant, this International Search Report covers only those claims for which fees were paid, specifically claims Nos.:
4. No required additional search fees were timely paid by the applicant. Consequently, this International Search Report is restricted to the invention first mentioned in the claims; it is covered by claims Nos.:

1-16

Remark on Protest

- The additional search fees were accompanied by the applicant's protest.
- No protest accompanied the payment of additional search fees.

FURTHER INFORMATION CONTINUED FROM PCT/ISA/ 210

This International Searching Authority found multiple (groups of) inventions in this international application, as follows:

1. Claims: 1-16

Device for use in spinal surgery comprising: a cannula; a clamp assembly engageable to said cannula and having a viewing element mounting portion; and a viewing element engageable at various positions along said mounting portion.

2. Claims: 17-21

Device for supporting a viewing element comprising: a cannula; and a clamp assembly configured to apply a clamping force to the inner and outer surface of said cannula for releasable engagement and including a viewing element mounting portion.

3. Claims: 22-26

Device for performing surgery comprising: a cannula; a clamp assembly engageable to the proximal end of said cannula and having a viewing element mounting portion; and a viewing element supported by said clamp assembly.

4. Claims: 27-32

Kit for use in percutaneous surgery comprising: a cannula; a clamp assembly engageable to said cannula; a viewing element supported by said clamp assembly having an optics cannula; and a microscope.