



US00D994472S

(12) **United States Design Patent** (10) **Patent No.:** **US D994,472 S**
Barber et al. (45) **Date of Patent:** **** Aug. 8, 2023**

(54) **HOOK**

FOREIGN PATENT DOCUMENTS

(71) Applicant: **HANSGROHE SE**, Schiltach (DE)

| | | |
|----|----------------|---------|
| CN | 301539466 | 5/2011 |
| EM | 001149660-0004 | 8/2009 |
| EM | 002774828-0011 | 11/2015 |
| EM | 003352988-0004 | 9/2016 |
| EM | 005796109-0001 | 2/2019 |
| EM | 005796109-0002 | 2/2019 |
| WO | D061365-017 | 10/2002 |
| WO | D205236-009 | 1/2020 |

(72) Inventors: **Edward Barber**, London (GB); **Jay Osgerby**, London (GB)

(73) Assignee: **Hansgrohe SE**, Schiltach (DE)

(**) Term: **15 Years**

OTHER PUBLICATIONS

(21) Appl. No.: **29/785,514**

Latitude II, posted May 21, 2017 [online], [retrieved Oct. 26, 2022]. Retrieved from internet, <https://www.bellacor.com/productdetail/gatco-4245a-latitude-ii-double-robe-hook-chrome-1809368.html> (Year: 2017).*

(22) Filed: **May 26, 2021**

(51) **LOC (14) Cl.** **08-11**

(52) **U.S. Cl.**

USPC **D8/367**; D6/553; D6/523

(58) **Field of Classification Search**

USPC D8/367, 349, 354, 371, 372; D3/293; D11/208, 210; D21/304; D6/320, 323, D6/540, 545, 523, 553

CPC A45C 13/03; A47G 25/0607; A47G 25/32; A47G 1/20; A47G 29/03; A47G 29/08; F16B 45/00; B25H 1/0057; A47F 5/0006

See application file for complete search history.

* cited by examiner

Primary Examiner — Calvin E Vansant

Assistant Examiner — Benjamin Lucas Gray

(74) *Attorney, Agent, or Firm* — Lora J. Graentzdoerffer

(57) **CLAIM**

The ornamental design for a hook, as shown and described.

DESCRIPTION

FIG. 1 is a perspective view of a hook showing our design; FIG. 2 is a front elevational view; FIG. 3 is a rear elevational view; FIG. 4 is a side elevational view; FIG. 5 is a side elevational view; FIG. 6 is a top plan view; and, FIG. 7 is a bottom plan view.

The broken line disclosures in the view represents portions of a hook in which the claimed design is embodied, but which forms no part of the claimed design.

1 Claim, 7 Drawing Sheets

(56) **References Cited**

U.S. PATENT DOCUMENTS

| | | | | | | |
|----------|---|---|---------|----------|-------|---------|
| D145,933 | S | * | 11/1946 | Gerity | | D6/323 |
| D450,566 | S | * | 11/2001 | Gottwald | | D8/367 |
| D460,683 | S | * | 7/2002 | Ou-Young | | D8/367 |
| D464,812 | S | * | 10/2002 | Yen | | D8/372 |
| D489,250 | S | * | 5/2004 | Graves | | D8/367 |
| D495,590 | S | * | 9/2004 | Goodman | | D8/367 |
| D504,309 | S | * | 4/2005 | Fuchs | | D8/367 |
| D613,823 | S | * | 4/2010 | Sofield | | D23/250 |
| D827,422 | S | * | 9/2018 | Kundig | | D8/382 |
| D875,894 | S | * | 2/2020 | Eads | | D23/253 |
| D900,598 | S | * | 11/2020 | Seum | | D8/367 |

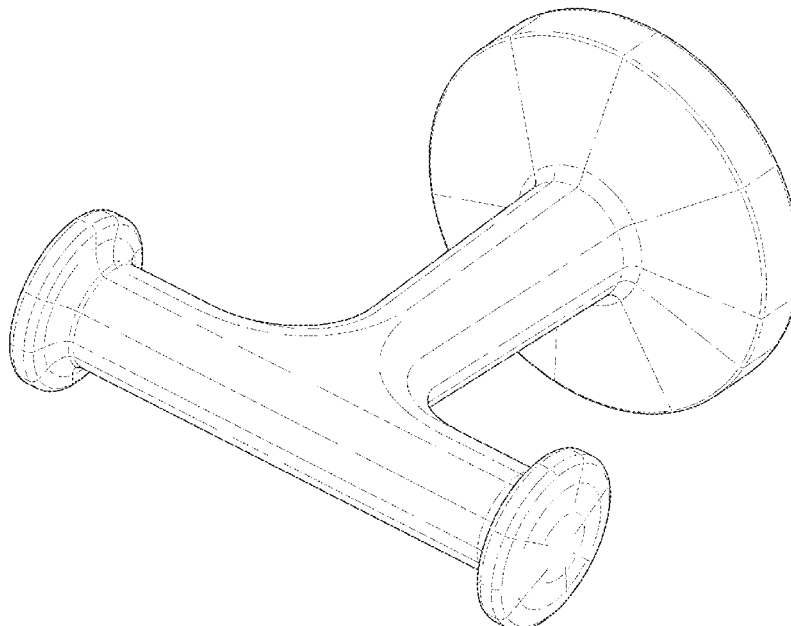


FIG. 1

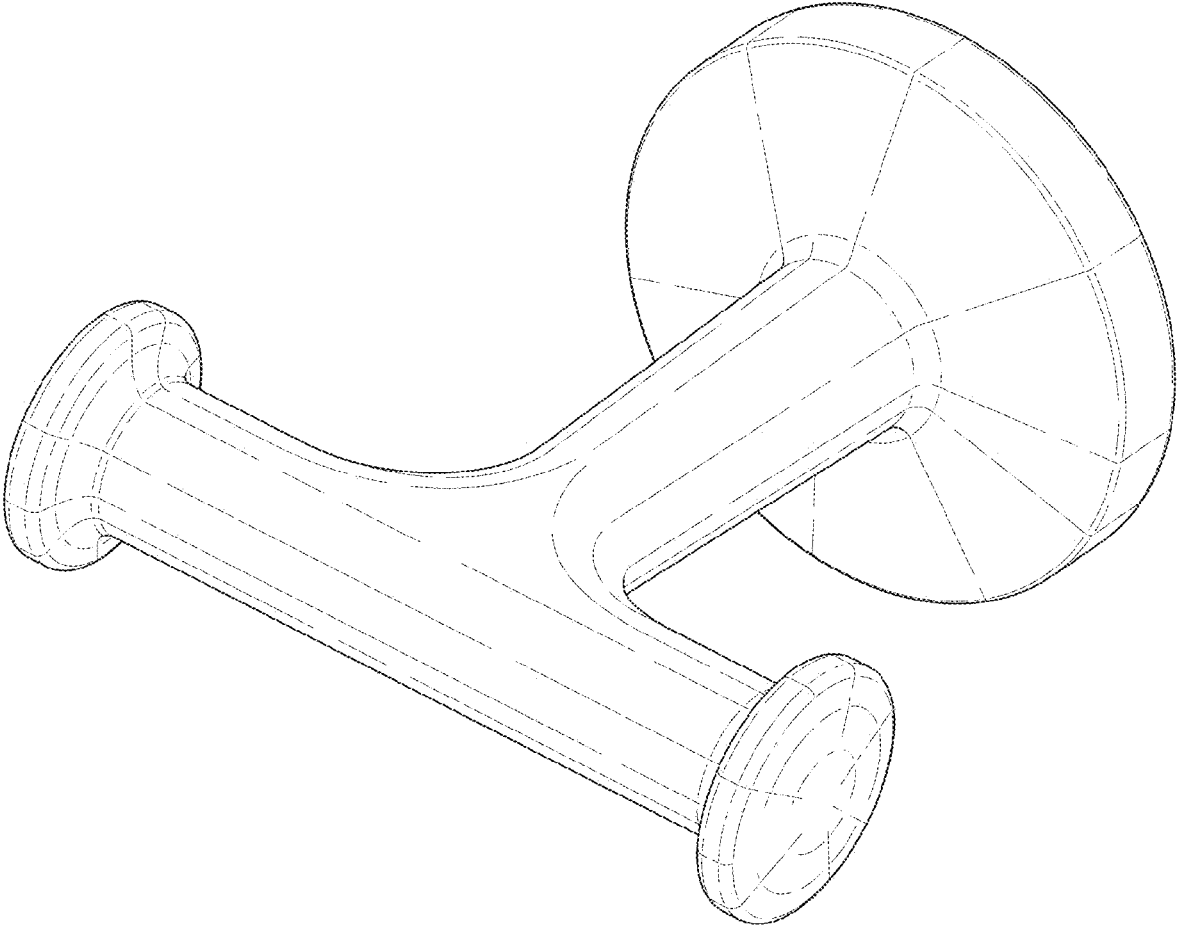


FIG. 2

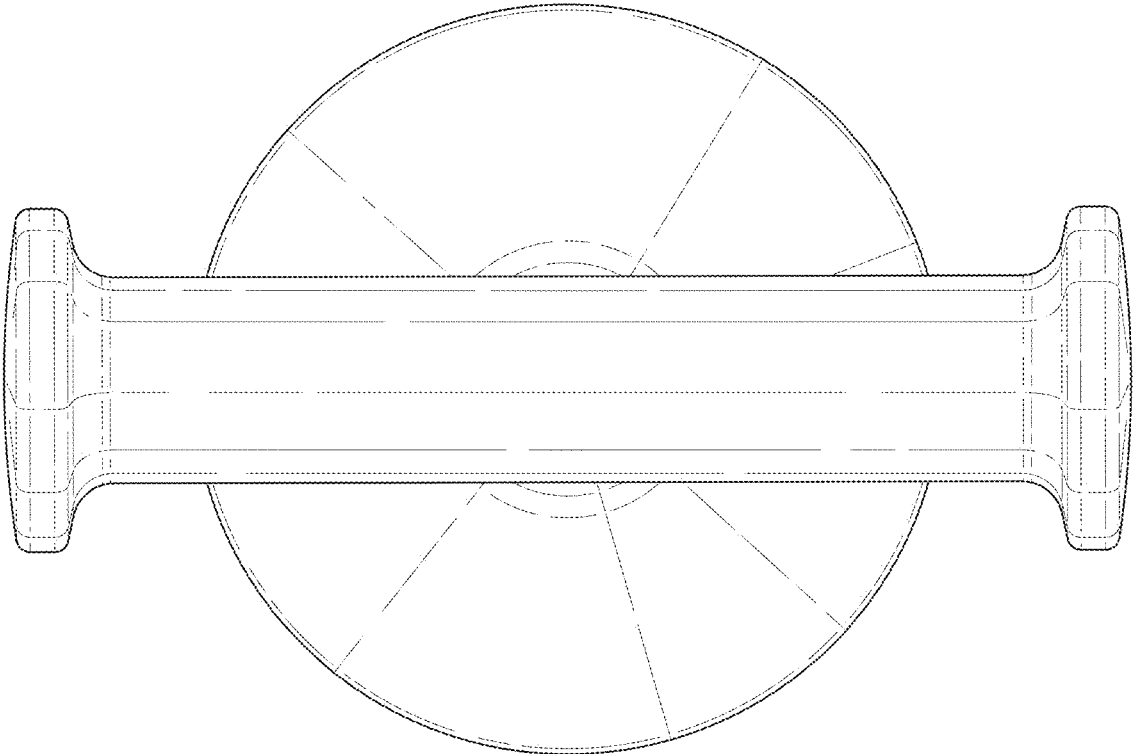


FIG. 3

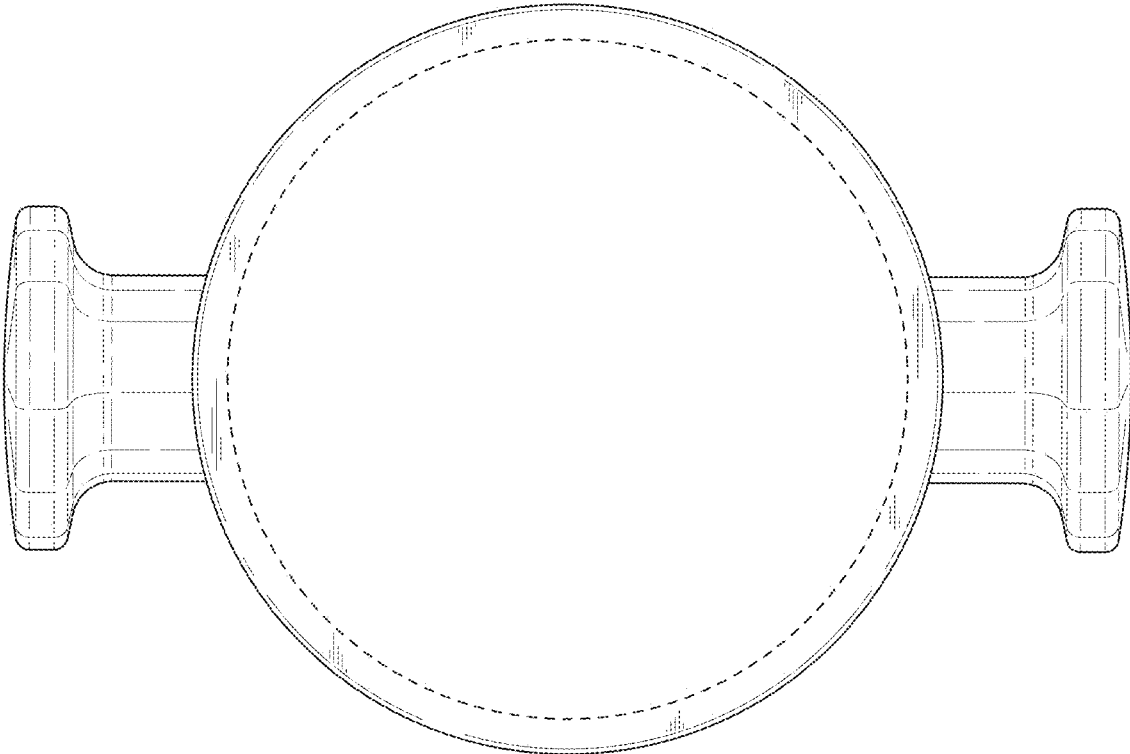


FIG. 4

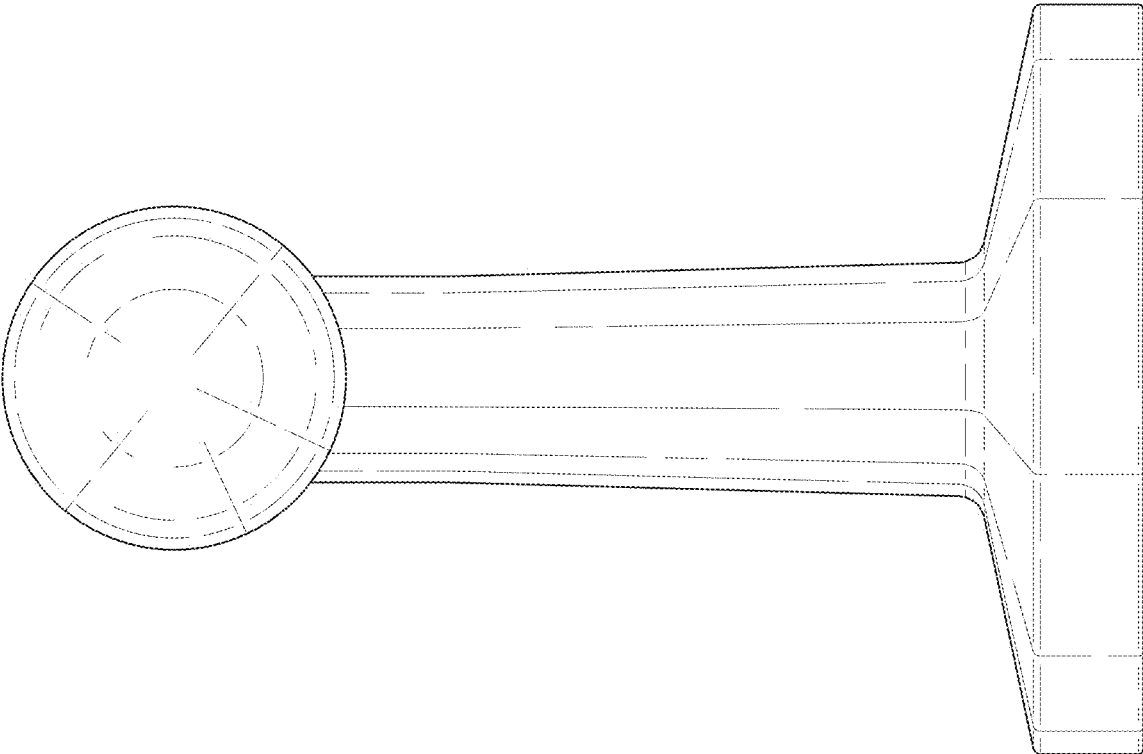


FIG. 5

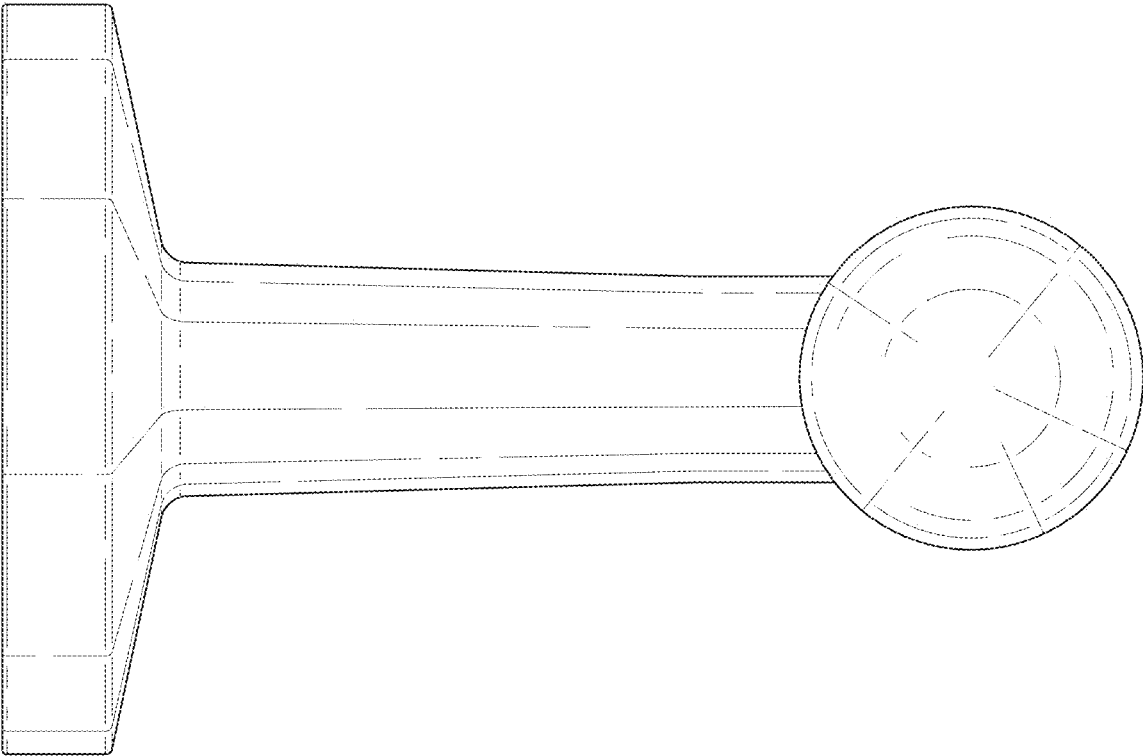


FIG. 6

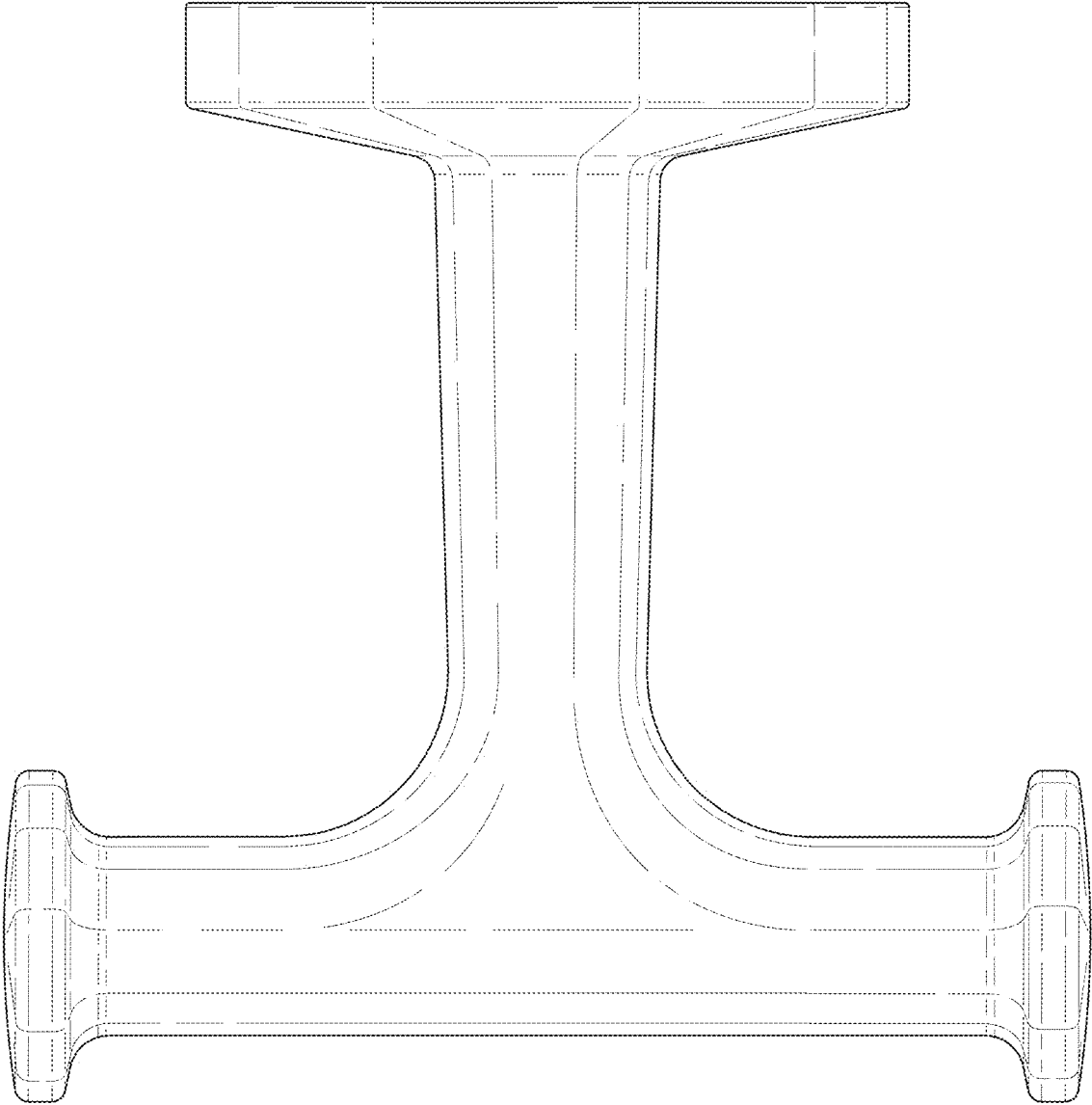


FIG. 7

