

(19) World Intellectual Property Organization  
International Bureau



(43) International Publication Date  
20 October 2005 (20.10.2005)

PCT

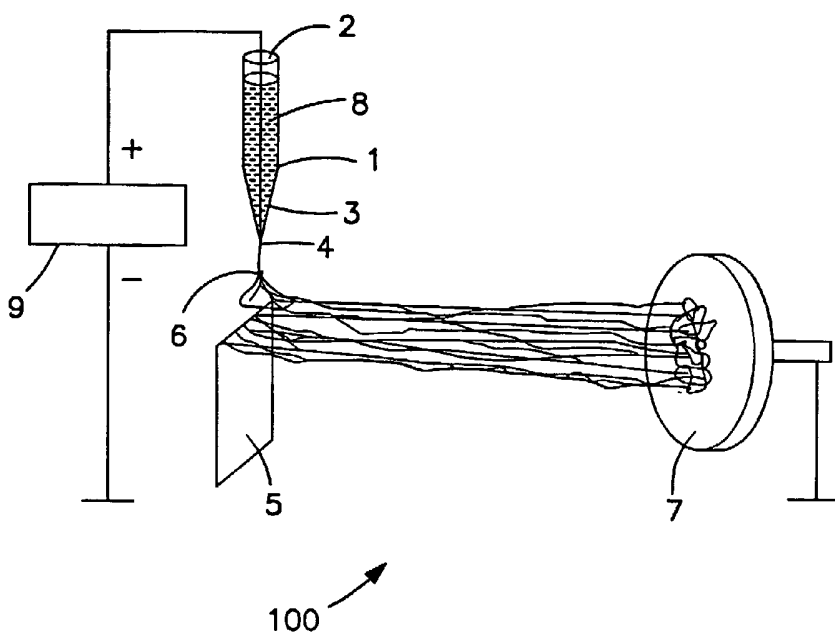
(10) International Publication Number  
**WO 2005/096744 A3**

- (51) International Patent Classification<sup>7</sup>: **D01D 5/12**
- (21) International Application Number:  
PCT/US2005/010886
- (22) International Filing Date: 31 March 2005 (31.03.2005)
- (25) Filing Language: English
- (26) Publication Language: English
- (30) Priority Data:  
60/558,462 31 March 2004 (31.03.2004) US
- (63) Related by continuation (CON) or continuation-in-part (CIP) to earlier application:  
US 60/558,462 (CIP)  
Filed on 31 March 2004 (31.03.2004)
- (71) Applicant (for all designated States except US): **THE REGENTS OF THE UNIVERSITY OF CALIFORNIA** [US/US]; 1111 Franklin Street, Fifth Floor, Oakland, CA 94607-5200 (US).
- (72) Inventors; and
- (75) Inventors/Applicants (for US only): **WU, Benjamin, M.** [US/US]; 2253 Selby Avenue, Los Angeles, CA 90064 (US). **SOFRONIEW, Michael, V.** [US/US]; 2141 Stradella Road, Los Angeles, CA 90077 (US). **TU, King-Ning** [US/US]; 11500 Sunset Boulevard, Los Angeles, CA 90049 (US). **XU, Yuhuan** [US/US]; 908 17th Street, Apt. #C, Santa Monica, CA 90403 (US).
- (74) Agents: **HAILE, Lisa, A.** et al.; DLA Piper Rudnick Gray Cary US, LLP, 4365 Executive Drive, Suite 1100, San Diego, CA 92121-2133 (US).
- (81) Designated States (unless otherwise indicated, for every kind of national protection available): AE, AG, AL, AM, AT, AU, AZ, BA, BB, BG, BR, BW, BY, BZ, CA, CH, CN, CO, CR, CU, CZ, DE, DK, DM, DZ, EC, EE, EG, ES, FI, GB, GD, GE, GH, GM, HR, HU, ID, IL, IN, IS, JP, KE, KG, KP, KR, KZ, LC, LK, LR, LS, LT, LU, LV, MA, MD, MG, MK, MN, MW, MX, MZ, NA, NI, NO, NZ, OM, PG, PH, PL, PT, RO, RU, SC, SD, SE, SG, SK, SL, SM, SY, TJ, TM, TN, TR, TT, TZ, UA, UG, US (patent), UZ, VC, VN, YU, ZA, ZM, ZW.
- (84) Designated States (unless otherwise indicated, for every kind of regional protection available): ARIPO (BW, GH, GM, KE, LS, MW, MZ, NA, SD, SL, SZ, TZ, UG, ZM, ZW), Eurasian (AM, AZ, BY, KG, KZ, MD, RU, TJ, TM), European (AT, BE, BG, CH, CY, CZ, DE, DK, EE, ES, FI, FR, GB, GR, HU, IE, IS, IT, LT, LU, MC, NL, PL, PT, RO, SE, SI, SK, TR), OAPI (BF, BJ, CF, CG, CI, CM, GA, GN, GQ, GW, ML, MR, NE, SN, TD, TG).

Published:  
— with international search report

[Continued on next page]

(54) Title: ORIENTED POLYMER FIBERS AND METHODS FOR FABRICATING THEREOF



(57) Abstract: Devices for fabricating oriented polymer fibers, and methods for fabricating thereof by electropulling, are provided.

WO 2005/096744 A3



— *before the expiration of the time limit for amending the claims and to be republished in the event of receipt of amendments*

**(88) Date of publication of the international search report:**  
16 February 2006

**(15) Information about Correction:**

**Previous Correction:**

see PCT Gazette No. 50/2005 of 15 December 2005, Section II

*For two-letter codes and other abbreviations, refer to the "Guidance Notes on Codes and Abbreviations" appearing at the beginning of each regular issue of the PCT Gazette.*

# INTERNATIONAL SEARCH REPORT

International application No.

PCT/US05/10886

**A. CLASSIFICATION OF SUBJECT MATTER**

IPC(7) : D01D 5/12  
 US CL : 246/441

According to International Patent Classification (IPC) or to both national classification and IPC

**B. FIELDS SEARCHED**

Minimum documentation searched (classification system followed by classification symbols)

U.S. : 246/441,452,465; 425/174.8E,174.8R; 57/402

Documentation searched other than minimum documentation to the extent that such documents are included in the fields searched

Electronic data base consulted during the international search (name of data base and, where practicable, search terms used)

**C. DOCUMENTS CONSIDERED TO BE RELEVANT**

Category *	Citation of document, with indication, where appropriate, of the relevant passages	Relevant to claim No.
X --- Y	US 6,110,590 A (ZARKOOB et al) 29 August 2000 (29.08.2000), Figure 1.	1-10, 12-17, 28-31 ----- 18-26
X --- Y	US 2,338,570 A (CHILDS) 30 October 1941 (30.10.1941), Figure 1.	1-17, 27-31 ----- 18-26
X --- Y	US 6,616,435 B2 (LEE et al) 09 September 2003 (09.09.2003), Figure 1A.	1-17, 27-31 ----- 18-26
X --- Y	US 4,878,908 A (MARTIN et al) 07 November 1989 (07.11.1989), Figure 1.	1, 4-10, 12-15, 17, 28-31 ----- 18-26
Y	US 6,267,987 B1 (PARK et al) 31 July 2001 (31.07.2001), col 6, lines 35-55.	18-23 and 25-26

Further documents are listed in the continuation of Box C.

See patent family annex.

* Special categories of cited documents:	"T" later document published after the international filing date or priority date and not in conflict with the application but cited to understand the principle or theory underlying the invention
"A" document defining the general state of the art which is not considered to be of particular relevance	"X" document of particular relevance; the claimed invention cannot be considered novel or cannot be considered to involve an inventive step when the document is taken alone
"E" earlier application or patent published on or after the international filing date	"Y" document of particular relevance; the claimed invention cannot be considered to involve an inventive step when the document is combined with one or more other such documents, such combination being obvious to a person skilled in the art
"L" document which may throw doubts on priority claim(s) or which is cited to establish the publication date of another citation or other special reason (as specified)	"&" document member of the same patent family
"O" document referring to an oral disclosure, use, exhibition or other means	
"P" document published prior to the international filing date but later than the priority date claimed	

Date of the actual completion of the international search

27 September 2005 (27.09.2005)

Date of mailing of the international search report

**05 DEC 2005**

Name and mailing address of the ISA/US

Mail Stop PCT, Attn: ISA/US  
 Commissioner for Patents  
 P.O. Box 1450  
 Alexandria, Virginia 22313-1450

Facsimile No. (703) 305-3230

Authorized officer

Joseph S. Del Sole

Telephone No. (571) 272-1130

# INTERNATIONAL SEARCH REPORT

International application No.  
PCT/US05/10886

## C. (Continuation) DOCUMENTS CONSIDERED TO BE RELEVANT

Category *	Citation of document, with indication, where appropriate, of the relevant passages	Relevant to claim No.
Y	US 6,308,434 B1 (CHICKERING, III et al) 30 October 2001 (30.10.2001), col 8, line 40 - col 9, line 50.	18-23 and 25-26
Y	US 6,471,993 B1 (SHASTRI et al) 29 October 2002 (29.10.2002), col 3, lines 40-55.	18-26