



- (51) **International Patent Classification:**
F17C 1/04 (2006.01) F17C 13/00 (2006.01)
- (21) **International Application Number:**
PCT/US2012/026509
- (22) **International Filing Date:**
24 February 2012 (24.02.2012)
- (25) **Filing Language:** English
- (26) **Publication Language:** English
- (30) **Priority Data:**
13/034,362 24 February 2011 (24.02.2011) US
13/070,971 24 March 2011 (24.03.2011) US
- (71) **Applicant (for all designated States except US):**
AMTROL LICENSING INC. [US/US]; 1400 Division Road, West Warwick, RI 02893 (US).
- (72) **Inventors; and**
- (75) **Inventors/Applicants (for US only):** SILVA VIEIRA, Pedro Alexandre Queiros Oliveira [PT/PT]; Av. Comendador Ferreira de Matos, 192 1° Esq°, P-4450 120 Matosinhos (PT). PESSOA SANTOS, Jose Adelino [PT/PT]; Rua S. Pedro, N°570, Azurem, P-4800 070 Guimaraes (PT). FERNANDES PORTOCARRERO, Jose Manuel Castro [PT/PT]; Quinta de Vilarinho, R.

Bento Sousa Amorim N°95, P-4485 373 Macieira Da Maia (PT).

(74) **Agents:** JONES, Joshua L. et al.; Edwards Wildman Palmer LLP, P.O. Box 55874, Boston, MA 02205 (US).

(81) **Designated States (unless otherwise indicated, for every kind of national protection available):** AE, AG, AL, AM, AO, AT, AU, AZ, BA, BB, BG, BH, BR, BW, BY, BZ, CA, CH, CL, CN, CO, CR, CU, CZ, DE, DK, DM, DO, DZ, EC, EE, EG, ES, FI, GB, GD, GE, GH, GM, GT, HN, HR, HU, ID, IL, IN, IS, JP, KE, KG, KM, KN, KP, KR, KZ, LA, LC, LK, LR, LS, LT, LU, LY, MA, MD, ME, MG, MK, MN, MW, MX, MY, MZ, NA, NG, NI, NO, NZ, OM, PE, PG, PH, PL, PT, QA, RO, RS, RU, RW, SC, SD, SE, SG, SK, SL, SM, ST, SV, SY, TH, TJ, TM, TN, TR, TT, TZ, UA, UG, US, UZ, VC, VN, ZA, ZM, ZW.

(84) **Designated States (unless otherwise indicated, for every kind of regional protection available):** ARIPO (BW, GH, GM, KE, LR, LS, MW, MZ, NA, RW, SD, SL, SZ, TZ, UG, ZM, ZW), Eurasian (AM, AZ, BY, KG, KZ, MD, RU, TJ, TM), European (AL, AT, BE, BG, CH, CY, CZ, DE, DK, EE, ES, FI, FR, GB, GR, HR, HU, IE, IS, IT, LT, LU, LV, MC, MK, MT, NL, NO, PL, PT, RO, RS, SE, SI, SK, SM, TR), OAPI (BF, BJ, CF, CG, CI, CM, GA, GN, GQ, GW, ML, MR, NE, SN, TD, TG).

[Continued on next page]

(54) **Title:** HYBRID PRESSURE VESSELS FOR HIGH PRESSURE APPLICATIONS

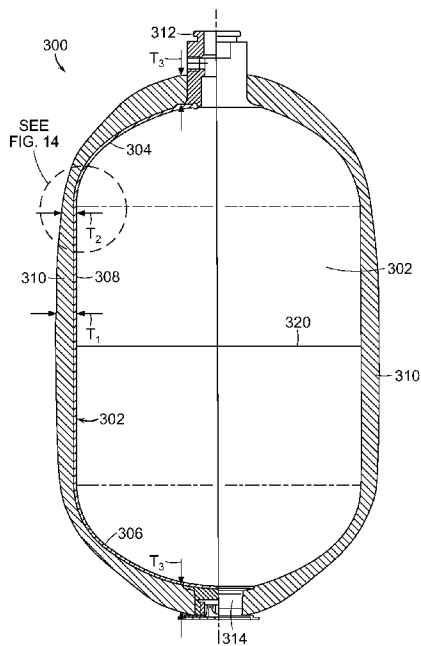


FIG. 13

(57) **Abstract:** A pressure vessel is provided including an inner tank formed from a tank liner surrounded by a wound layer of composite filaments. A protective jacket is disposed on the inner tank that facilitates stacking and portability of the pressure vessel and helps to define an air passage for convective heat transfer between the hybrid tank and the environment.





Published:

(88) Date of publication of the international search report:
24 January 2013

- *with international search report (Art. 21(3))*
- *before the expiration of the time limit for amending the claims and to be republished in the event of receipt of amendments (Rule 48.2(h))*

A. CLASSIFICATION OF SUBJECT MATTER*F17C 1/04(2006.01)i, F17C 13/00(2006.01)i*

According to International Patent Classification (IPC) or to both national classification and IPC

B. FIELDS SEARCHED

Minimum documentation searched (classification system followed by classification symbols)

F17C 1/04; F17C 1/02; F17C 1/06; B29C 70/16

Documentation searched other than minimum documentation to the extent that such documents are included in the fields searched

Korean utility models and applications for utility models

Japanese utility models and applications for utility models

Electronic data base consulted during the international search (name of data base and, where practicable, search terms used)

eKOMPASS(KIPO internal) & Keywords: pressure tank, vessel, liner, reinforcing, thickness, jacket

C. DOCUMENTS CONSIDERED TO BE RELEVANT

Category*	Citation of document, with indication, where appropriate, of the relevant passages	Relevant to claim No.
X Y A	JP 2010-116980 A (KAWAMOTO TADASHI et al.) 27 May 2010 See paragraphs [0012]-[0016],[0021],[0023] and figure 1.	1-6 7-9, 11, 16, 17, 20 10, 12-15, 18, 19
X Y A	US 7699188 B2 (OLIVEIRA TIAGO et al.) 20 April 2010 See abstract, column 4 lines 1 - 45, column 5 lines 25 - 30, and figures 1,5, 6.	12-15, 18, 19 7-9, 11, 16, 17, 20 1-6, 10
A	JP 09-042594 A (KOBAYASHI TERUO et al.) 14 February 1997 See abstract, claim 1, and figure 1.	1-20

 Further documents are listed in the continuation of Box C. See patent family annex.

* Special categories of cited documents:

"A" document defining the general state of the art which is not considered to be of particular relevance

"E" earlier application or patent but published on or after the international filing date

"L" document which may throw doubts on priority claim(s) or which is cited to establish the publication date of citation or other special reason (as specified)

"O" document referring to an oral disclosure, use, exhibition or other means

"P" document published prior to the international filing date but later than the priority date claimed

"T" later document published after the international filing date or priority date and not in conflict with the application but cited to understand the principle or theory underlying the invention

"X" document of particular relevance; the claimed invention cannot be considered novel or cannot be considered to involve an inventive step when the document is taken alone

"Y" document of particular relevance; the claimed invention cannot be considered to involve an inventive step when the document is combined with one or more other such documents, such combination being obvious to a person skilled in the art

"&" document member of the same patent family

Date of the actual completion of the international search

07 NOVEMBER 2012 (07.11.2012)

Date of mailing of the international search report

03 DECEMBER 2012 (03.12.2012)

Name and mailing address of the ISA/KR

Korean Intellectual Property Office
189 Cheongsu-ro, Seo-gu, Daejeon Metropolitan
City, 302-701, Republic of Korea

Facsimile No. 82-42-472-7140

Authorized officer

Park Sang Hyun

Telephone No. 82-42-481-5434



INTERNATIONAL SEARCH REPORT

Information on patent family members

International application No.

PCT/US2012/026509

Patent document cited in search report	Publication date	Patent family member(s)	Publication date
JP 2010-116980 A	27.05.2010	None	
US 7699188 B2	20.04.2010	AU 2005-239418 A1 AU 2005-239418 B2 AU 2007-202759 A1 AU 2007-202759 A8 AU 2007-202759 A8 AU 2007-202759 A8 AU 2007-202759 B2 AU 2007-202759 B8 AU 2007-202759 B8 AU 2010-202304 A1 CA 2664782 A1 GR 10754 A EP 1738101 A2 EP 1906075 A2 EP 1906076 A2 KR 10-0892102 B1 KR 20080029763 A MX 2008013795 A NZ 555873 A US 2005-0269338 A1 US 2007-0068957 A1 US 2010-0236051 A1 US 2011-0147390 A1 US 2011-0168726 A1 US 7255245 B2 US 7935206 B2 WO 2005-106894 A2 WO 2005-106894 A3 WO 2008-042321 A1	10.11.2005 03.01.2008 17.04.2008 13.05.2010 17.04.2008 15.04.2010 15.04.2010 13.05.2010 24.06.2010 10.04.2008 23.06.2009 03.01.2007 02.04.2008 02.04.2008 08.04.2009 03.04.2008 14.11.2008 29.02.2008 08.12.2005 29.03.2007 23.09.2010 23.06.2011 14.07.2011 14.08.2007 03.05.2011 10.11.2005 10.11.2005 10.04.2008
JP 09-042594 A	14.02.1997	None	