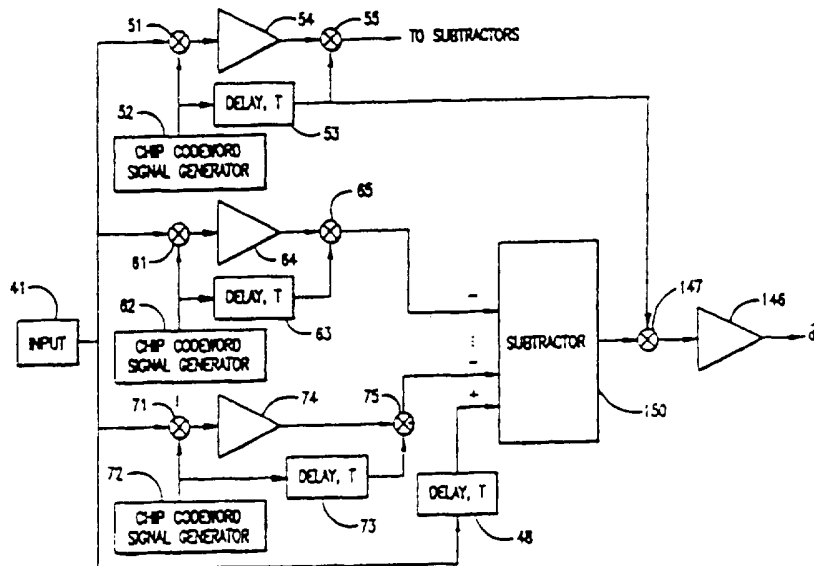




INTERNATIONAL APPLICATION PUBLISHED UNDER THE PATENT COOPERATION TREATY (PCT)

<p>(51) International Patent Classification <sup>6</sup> : <b>H04J 13/02</b></p>	<p><b>A1</b></p>	<p>(11) International Publication Number: <b>WO 96/03819</b> (43) International Publication Date: 8 February 1996 (08.02.96)</p>
<p>(21) International Application Number: PCT/US95/09652 (22) International Filing Date: 5 July 1995 (05.07.95) (30) Priority Data: 08/279,477 26 July 1994 (26.07.94) US (71) Applicant: INTERDIGITAL TECHNOLOGY CORPORATION [US/US]; Suite 802, 913 Market Street, Wilmington, DE 19801 (US). (72) Inventors: SCHILLING, Donald, L.; Hoffstot Lane, Sands Point, NY 11050 (US). KOWALSKI, John; 534 E. 85th Street, New York, NY 10028 (US). MOSHAVI, Shimon; Apartment G-4D, 550 Grand Street, New York, NY 10002 (US). (74) Agent: NEWMAN, David, B., Jr.; David Newman &amp; Associates, P.C., Centennial Square, P.O. Box 2728, La Plata, MD 20646-2728 (US).</p>		<p>(81) Designated States: AM, AT, AU, BB, BG, BR, BY, CA, CH, CN, CZ, DE, DK, EE, ES, FI, GB, GE, HU, JP, KE, KG, KP, KR, KZ, LK, LR, LT, LU, LV, MD, MG, MN, MW, MX, NO, NZ, PL, PT, RO, RU, SD, SE, SI, SK, TJ, TT, UA, UZ, VN, European patent (AT, BE, CH, DE, DK, ES, FR, GB, GR, IE, IT, LU, MC, NL, PT, SE), OAPI patent (BF, BJ, CF, CG, CI, CM, GA, GN, ML, MR, NE, SN, TD, TG), ARIPO patent (KE, MW, SD, SZ, UG).  <b>Published</b> <i>With international search report.</i></p>

(54) Title: SPREAD SPECTRUM INTERFERENCE CANCELER SYSTEM AND METHOD



(57) Abstract

A spread-spectrum CDMA interference canceler for reducing interference in a DS/CDMA receiver having N chip-code channels. The interference canceler includes a plurality of correlators (54, 64, 74), a plurality of spread-spectrum-processing circuits (55, 65, 75), subtracting circuits (150), and channel correlators (146). Using a plurality of chip-code signals generated from chip codeword signal generators (52, 62, 72), the correlators (54, 64, 74) despreads the spread-spectrum CDMA signal as a plurality of despread signals. The plurality of spread-spectrum-processing circuits (55, 65, 75) uses a timed version of the plurality of chip-code signals generated from the delay devices (53, 63, 73), for spread-spectrum processing the plurality of despread signals. For recovering a code channel using an *i*<sup>th</sup> chip-code-signal, the subtracting circuits (150) subtracts from the spread-spectrum CDMA signal, each of the N-1 spread-spectrum-processed-despread signals thereby generating a subtracted signal. The channel-correlator (146) despreads the subtracted signal.

*FOR THE PURPOSES OF INFORMATION ONLY*

Codes used to identify States party to the PCT on the front pages of pamphlets publishing international applications under the PCT.

AT	Austria	GB	United Kingdom	MR	Mauritania
AU	Australia	GE	Georgia	MW	Malawi
BB	Barbados	GN	Guinea	NE	Niger
BE	Belgium	GR	Greece	NL	Netherlands
BF	Burkina Faso	HU	Hungary	NO	Norway
BG	Bulgaria	IE	Ireland	NZ	New Zealand
BJ	Benin	IT	Italy	PL	Poland
BR	Brazil	JP	Japan	PT	Portugal
BY	Belarus	KE	Kenya	RO	Romania
CA	Canada	KG	Kyrgyzstan	RU	Russian Federation
CF	Central African Republic	KP	Democratic People's Republic of Korea	SD	Sudan
CG	Congo	KR	Republic of Korea	SE	Sweden
CH	Switzerland	KZ	Kazakhstan	SI	Slovenia
CI	Côte d'Ivoire	LI	Liechtenstein	SK	Slovakia
CM	Cameroon	LK	Sri Lanka	SN	Senegal
CN	China	LU	Luxembourg	TD	Chad
CS	Czechoslovakia	LV	Larvia	TG	Togo
CZ	Czech Republic	MC	Monaco	TJ	Tajikistan
DE	Germany	MD	Republic of Moldova	TT	Trinidad and Tobago
DK	Denmark	MG	Madagascar	UA	Ukraine
ES	Spain	ML	Mali	US	United States of America
FI	Finland	MN	Mongolia	UZ	Uzbekistan
FR	France			VN	Viet Nam
GA	Gabon				

## Spread Spectrum Interference Canceler System and Method

BACKGROUND OF THE INVENTION

This invention relates to spread-spectrum communications, and more particularly to an interference canceler and method for reducing interference in a direct sequence, code division multiple access receiver.

DESCRIPTION OF THE RELEVANT ART

Direct sequence, code division multiple access, spread-spectrum communications systems are capacity limited by interference caused by other simultaneous users. This is compounded if adaptive power control is not used, or is used but is not perfect.

Code division multiple access is interference limited. The more users transmitting simultaneously, the higher the bit error rate (BER). Increased capacity requires forward error correction (FEC) coding, which in turn, increases the data rate and limits capacity.

SUMMARY OF THE INVENTION

A general object of the invention is to reduce noise resulting from  $N-1$  interfering signals in a direct sequence, spread-spectrum code division multiple access receiver.

The present invention, as embodied and broadly described herein, provides a spread-spectrum code division multiple access (CDMA) interference canceler for reducing interference in a spread-spectrum CDMA receiver having  $N$  channels. Each of the  $N$  channels is spread-spectrum processed by a distinct chip-code signal. The chip-code signal, preferably, is derived from a distinct pseudo-noise (PN) sequence, which may be generated from a distinct chip codeword. The interference canceler partially cancels  $N-1$  interfering CDMA channels, and provides a signal-to-noise ratio (SNR) improvement of approximately  $N/P_G$ , where  $P_G$  is the processing gain. Processing gain is the ratio of the chip rate divided by the bit rate. By canceling or reducing

-2-

interference, the SNR primarily may be due to thermal noise, and residual, interference-produced noise. Thus, the SNR may increase, lowering the BER, which reduces the demand for a FEC encoder/decoder.

5           The interference canceler, for a particular channel, includes a plurality of despreading means, a plurality of spread-spectrum-processing means, subtracting means, and channel-despreading means. Using a plurality of chip-code signals, the plurality of despreading means despreads the  
10           spread-spectrum CDMA signals as a plurality of despread signals, respectively. The plurality of spread-spectrum-processing means uses a timed version of the plurality of chip-code signals, for spread-spectrum processing the  
15           plurality of despread signals, respectively, with a chip-code signal corresponding to a respective despread signal. The timed version of a chip-code signal may be generated by delaying the chip-code signal from a chip-code-signal generator. Alternatively, a matched filter may detect a  
20           particular PN sequence in the spread-spectrum CDMA signal. A chip-code-signal generator may use the detected signal from the matched filter to trigger a timed version of the chip-code signal.

          For recovering a particular CDMA channel using an  $i^{\text{th}}$  chip-code signal, the subtracting means subtracts from the  
25           spread-spectrum CDMA signal, each of the  $N-1$  spread-spectrum-processed-despread signals, thereby generating a subtracted signal. The  $N-1$  spread-spectrum-processed-despread signals do not include the spread-spectrum-processed-despread signal of the  $i^{\text{th}}$  channel corresponding  
30           to the  $i^{\text{th}}$  chip-code signal. The channel-despreading means despreads the subtracted signal with the  $i^{\text{th}}$  chip-code signal.

          The present invention also includes a method for reducing interference in a spread-spectrum CDMA receiver  
35           having  $N$  channels. The method comprises the steps of

-3-

despreading, using a plurality of chip-code signals, the spread-spectrum CDMA signal as a plurality of despread signals, respectively; spread-spectrum processing, using a timed version of the plurality of chip-code signals, the plurality of despread signals, respectively, with a chip-code signal corresponding to a respective despread signal; subtracting from the spread-spectrum CDMA signal, each of the N-1 spread-spectrum-processed-despread signals, with the N-1 spread-spectrum-processed-despread signals not including a spread-spectrum-processed despread signal of the  $i^{\text{th}}$  channels, thereby generating a subtracted signal; and, despreading the subtracted signal having the  $i^{\text{th}}$  chip-code signal.

Additional objects and advantages of the invention are set forth in part in the description which follows, and in part are obvious from the description, or may be learned by practice of the invention. The objects and advantages of the invention also may be realized and attained by means of the instrumentalities and combinations particularly pointed out in the appended claims.

#### BRIEF DESCRIPTION OF THE DRAWINGS

The accompanying drawings, which are incorporated in and constitute a part of the specification, illustrate preferred embodiments of the invention, and together with the description serve to explain the principles of the invention.

FIG. 1 is a block diagram of the spread-spectrum CDMA interference canceler using correlators;

FIG. 2 is a block diagram of the spread-spectrum CDMA interference canceler for processing multiple channels using correlators;

FIG. 3 is a block diagram of the spread-spectrum CDMA interference canceler using matched filters;

FIG. 4 is a block diagram of the spread-spectrum CDMA

-4-

interference canceler for processing multiple channels using matched filters;

FIG. 5 is a block diagram of the spread-spectrum CDMA interference canceler having multiple iterations for processing multiple channels;

FIG. 6 illustrates theoretical performance characteristic for  $E_b/\eta = 6$  dB;

FIG. 7 illustrates theoretical performance characteristic for  $E_b/\eta = 10$  dB;

FIG. 8 illustrates theoretical performance characteristic for  $E_b/\eta = 15$  dB;

FIG. 9 illustrates theoretical performance characteristic for  $E_b/\eta = 20$  dB;

FIG. 10 illustrates theoretical performance characteristic for  $E_b/\eta = 25$  dB;

FIG. 11 illustrates theoretical performance characteristic for  $E_b/\eta = 30$  dB;

FIG. 12 is a block diagram of interference cancelers connected together;

FIG. 13 is a block diagram combining the outputs of the interference cancelers of FIG. 12;

FIG. 14 illustrates simulation performance characteristics for asynchronous,  $PG = 100$ , Equal Powers,  $E_bN = 30$  dB;

FIG. 15 illustrates simulation performance characteristics for asynchronous,  $PG = 100$ , Equal Powers,  $E_bN = 30$  dB;

FIG. 16 illustrates simulation performance characteristics for asynchronous,  $PG = 100$ , Equal Powers,  $E_bN = 30$  dB; and

FIG. 17 illustrates simulation performance characteristics for asynchronous,  $PG = 100$ , Equal Powers,  $E_bN = 30$  dB.

DETAILED DESCRIPTION OF THE PREFERRED EMBODIMENTS

Reference now is made in detail to the present preferred embodiments of the invention, examples of which are illustrated in the accompanying drawings, wherein like reference numerals indicate like elements throughout the  
5 several views.

In the exemplary arrangement shown in FIG. 1, a spread-spectrum code division multiple access (CDMA) interference canceler is provided for reducing interference in a spread-spectrum CDMA receiver having N channels. The present  
10 invention also works on a spread-spectrum code division multiplexed (CDM) system. Accordingly, without loss of generality, the term spread-spectrum CDMA signal, as used herein, includes spread-spectrum CDMA signals and spread-spectrum CDM signals. In a personal communications service,  
15 the interference canceler may be used at a base station or in a remote unit such as a handset.

FIG. 1 illustrates the interference canceler for the first channel, defined by the first chip-code signal. The interference canceler includes a plurality of despreading  
20 means, a plurality of timing means, a plurality of spread-spectrum-processing means, subtracting means, and first channel-despreading means.

Using a plurality of chip-code signals, the plurality of despreading means despreads the received spread-spectrum  
25 CDMA signals as a plurality of despread signals, respectively. In FIG. 1 the plurality of despreading means is shown as first despreading means, second despreading means, through N<sup>th</sup> despreading means. The first despreading means includes a first correlator, which is embodied, by way  
30 of example, as a first mixer 51, first chip-code-signal generator 52, and a first integrator 54. The first integrator 54 alternatively may be a first lowpass filter or a first bandpass filter. The first mixer 51 is coupled  
35 between the input 41 and the first chip-code-signal

generator 52 and the first integrator 54.

The second despreading means includes a second correlator, which is embodied, by way of example, as second mixer 61, second chip-code-signal generator 62 and second integrator 64. The second integrator 64 alternatively may be a second lowpass filter or a second bandpass filter. The second mixer 61, is coupled between the input 41, the second chip-code-signal generator 62, and the second integrator 64.

The  $N^{\text{th}}$  despreading means is depicted as an  $N^{\text{th}}$  correlator shown, by way of example, as  $N^{\text{th}}$  mixer 71, and  $N^{\text{th}}$  chip-code-signal generator 72, and  $N^{\text{th}}$  integrator 74. The  $N^{\text{th}}$  integrator 74 alternatively may be an  $N^{\text{th}}$  lowpass filter or an  $N^{\text{th}}$  bandpass filter. The  $N^{\text{th}}$  mixer 71 is coupled between the input 41, the  $N^{\text{th}}$  chip-code-signal generator 72 and the  $N^{\text{th}}$  integrator 74.

As is well known in the art, the first through  $N^{\text{th}}$  despreading means may be embodied as any device which can despread a channel in a spread-spectrum signal.

The plurality of timing means may be embodied as a plurality of delay devices 53, 63, 73. A first delay device 53 has a delay time  $T$ , which is approximately the same as the integration time  $T_0$  of first integrator 54, or time constant of the first lowpass filter or first bandpass filter. A second delay device 63 has a time delay  $T$ , which is approximately the same as the integration time  $T_0$  of second integrator 64, or time constant of the second lowpass filter or second bandpass filter. Similarly, the  $N^{\text{th}}$  delay device 73 has a time delay  $T$ , which is approximately the same as the integration time  $T_0$  of  $N^{\text{th}}$  integrator 74, or time constant of the  $N^{\text{th}}$  lowpass filter or  $N^{\text{th}}$  bandpass filter. Typically, the integration times of the first integrator 54, second integrator 64 through  $N^{\text{th}}$  integrator 74 are the same. If lowpass filters are used, then typically the time constants of the first lowpass filter, second lowpass filter through  $N^{\text{th}}$  lowpass filter are the same. If bandpass



-7-

filters are used, then the time constants of the first bandpass filter, second bandpass filter through  $N^{\text{th}}$  bandpass filter are the same.

5 The plurality of spread-spectrum-processing means regenerates each of the plurality of despread signals as a plurality of spread-spectrum signals. The plurality of spread-spectrum-processing means uses a timed version, i.e. delayed version, of the plurality of chip-code signals, for spread-spectrum processing the plurality of despread  
10 signals, respectively, with a chip-code signal corresponding to a respective despread signal. The plurality of spread-spectrum-processing means is shown, by way of example, as a first processing mixer 55, a second processing mixer 65, through an  $N^{\text{th}}$  processing mixer 75. The first processing  
15 mixer 55 is coupled to the first integrator 54, and through a first delay device 53 to the first chip-code-signal generator 52. The second processing mixer 65 is coupled to the second integrator 64, and through the second delay device 63 to the second chip-code-signal generator 62. The  
20  $N^{\text{th}}$  processing mixer 75 is coupled to the  $N^{\text{th}}$  integrator 74 through the delay device 73 to the  $N^{\text{th}}$  chip-code-signal generator 72.

For reducing interference to a channel using an  $i^{\text{th}}$  chip-code signal of the spread-spectrum CDMA signal, the  
25 subtracting means subtracts, from the spread-spectrum CDMA signal, each of the  $N-1$  spread-spectrum-processed-despread signals not corresponding to the  $i^{\text{th}}$  channel. The subtracting means thereby generates a subtracted signal. The subtracting means is shown as a first subtractor 150.  
30 The first subtractor 150 is shown coupled to the output of the second processing mixer 65, through the  $N^{\text{th}}$  processing mixer 75. Additionally, the first subtractor 150 is coupled through a main delay device 48 to the input 41.

35 The  $i^{\text{th}}$  channel-despreading means despreads the subtracted signal with the  $i^{\text{th}}$  chip-code signal as the  $i^{\text{th}}$

-8-

channel. The first channel-despreading means is shown as a first channel mixer 147. The first channel mixer 147 is coupled to the first delay device 53, and to the first subtractor 150. The first channel integrator 146 is coupled to the first channel mixer 147.

The first chip-code-signal generator 52, the second chip-code-signal generator 62, through the  $N^{\text{th}}$  chip-code-signal generator 72 generate a first chip-code signal, a second chip-code signal, through a  $N^{\text{th}}$  chip-code signal, respectively. The term "chip-code signal" is used herein to mean the spreading signal of a spread-spectrum signal, as is well known in the art. Typically the chip-code signal is generated from a pseudorandom (PN) sequence. The first chip-code signal, the second chip code signal, through the  $N^{\text{th}}$  chip-code signal might be generated from a first PN sequence, a second PN sequence, through a  $N^{\text{th}}$  PN sequence, respectively. The first PN sequence is defined by or generated from a first chip codeword, the second PN sequence is defined by or generated from a second chip codeword, through the  $N^{\text{th}}$  PN sequence is defined by or generated from a  $N^{\text{th}}$  chip-codeword. Each of the first chip codeword, second chip codeword through  $N^{\text{th}}$  chip codeword is distinct, i.e. different from one another. In general, a chip codeword can be the actual sequence of a PN sequence, or used to define settings for generating the PN sequence. The settings might be the delay taps of shift registers, for example.

A first channel of a received spread-spectrum CDMA signal at input 41 is despread by first mixer 51 as a first despread signal, using the first chip-code signal generated by first chip-code-signal generator 52. The first despread signal from the first mixer 51 is filtered through first integrator 54. First integrator 54 integrates for a time  $T_b$ , the time duration of a symbol such as a bit. At the same time, the first chip-code signal is delayed by time  $T$

by delay device 53. The delay time  $T$  is approximately equal to the integration time  $T_b$  plus system or component delays. Systems or component delays are usually small, compared to integration time  $T_b$ .

5           The delayed version of the first chip-code signal is processed with the first despread signal from the output of the first integrator 54 using the first spreading mixer 55. The output of the first spreading mixer 55 is fed to subtractors other than first subtractor 150 for processing  
10           the second through  $N^{\text{th}}$  channels of the spread-spectrum CDMA signal.

          For reducing interference to the first channel of the spread-spectrum CDMA signal, the received spread-spectrum CDMA signal is processed by the second through  $N^{\text{th}}$   
15           despreaders as follows. The second channel of the spread-spectrum CDMA signal is despread by the second despreading means. At the second mixer 61, a second chip-code signal, generated by the second chip-code-signal generator 62, despreads the second channel of the spread-spectrum CDMA  
20           signal. The despread second channel is filtered through second integrator 64. The output of the second integrator 64 is the second despread signal. The second despread signal is spread-spectrum processed by second processing  
25           mixer 65 by a delayed version of the second chip-code signal. The second chip-code signal is delayed through delay device 63. The delay device 63 delays the second chip-code signal by time  $T$ . The second channel mixer 65 spread-spectrum processes a timed version, i.e. delayed  
30           version, of the second chip-code signal with the filtered version of the second spread-spectrum channel from second integrator 64. The term "spread-spectrum process" as used herein includes any method for generating a spread-spectrum  
35           signal by mixing or modulating a signal with a chip-code signal. Spread-spectrum processing may be done by product devices, EXCLUSIVE-OR gates, matched filters, or any other

-10-

device or circuit as is well known in the art.

Similarly, the  $N^{\text{th}}$  channel of the spread-spectrum CDMA signal is despread by the  $N^{\text{th}}$  despreading means.

Accordingly, the received spread-spectrum CDMA signal has the  $N^{\text{th}}$  channel despread by  $N^{\text{th}}$  mixer 71, by mixing the spread-spectrum CDMA signal with the  $N^{\text{th}}$  chip-code signal from  $N^{\text{th}}$  chip-code-signal generator 72. The output of the  $N^{\text{th}}$  mixer 71 is filtered by  $N^{\text{th}}$  integrator 74. The output of the  $N^{\text{th}}$  integrator 74, which is the  $N^{\text{th}}$  despread signal, is a despread and filtered version of the  $N^{\text{th}}$  channel of the spread-spectrum CDMA signal. The  $N^{\text{th}}$  despread signal is spread-spectrum processed by a delayed version of the  $N^{\text{th}}$  chip-code signal. The  $N^{\text{th}}$  chip-code signal is delayed through  $N^{\text{th}}$  delay device 73. The  $N^{\text{th}}$  processing mixer 75 spread-spectrum processes the timed version, i.e. a delayed version, of the  $N^{\text{th}}$  chip-code signal with the  $N^{\text{th}}$  despread signal.

At the first subtractor 150, each of the outputs of the second processing mixer 65 through the  $N^{\text{th}}$  processing mixer 75 is subtracted from a timed version, i.e. a delayed version, of the spread-spectrum CDMA signal from input 41. The delay of the spread-spectrum CDMA signal is timed through the first main delay device 48. Typically, the delay of the first main delay device 48 is time T, which is approximately equal to the integration time of the first integrator 54 through  $N^{\text{th}}$  integrator 74.

At the output of the first subtractor 150, is generated a first subtracted signal. The first subtracted signal, for the first channel of the spread-spectrum CDMA signal, is defined herein to be the outputs from the second processing mixer 65 through  $N^{\text{th}}$  processing mixer 75, subtracted from the delayed version of the spread-spectrum CDMA signal. The second subtracted signal through  $N^{\text{th}}$  subtracted signal are similarly defined.

-11-

The delayed version of the first chip-code signal from the output of first delay device 53 is used to despread the output of the first subtractor 150. Accordingly, the first subtracted signal is despread by the first chip-code signal by first channel mixer 147. The output of the first channel mixer 147 is filtered by first channel integrator 147. This produces an output estimate  $d_1$  of the first channel of the spread-spectrum CDMA signal.

As illustratively shown in FIG. 2, a plurality of subtractors 150, 250, 350, 450 can be coupled appropriately to the input 41 and to a first spreading mixer 55, second spreading mixer 65, third spreading mixer, through an  $N^{\text{th}}$  spreading mixer 75 of FIG. 1. The plurality of subtractors 150, 250, 350, 450 also are coupled to the main delay device 48 from the input 41. This arrangement can generate a first subtracted signal from the first subtractor 150, a second subtracted signal from the second subtractor 250, a third subtracted signal from the third subtractor 350, through an  $N^{\text{th}}$  subtracted signal from an  $N^{\text{th}}$  subtractor 450.

The outputs of the first subtractor 150, second subtractor 250, third subtractor 350, through the  $N^{\text{th}}$  subtractor 450 are each coupled to a respective first channel mixer 147, second channel mixer 247, third channel mixer 347, through  $N^{\text{th}}$  channel mixer 447. Each of the channel mixers is coupled to a delayed version of the first chip-code signal,  $g_1(t-T)$ , second chip-code signal,  $g_2(t-T)$ , third chip-code signal,  $g_3(t-T)$ , through  $N^{\text{th}}$  chip-code signal,  $g_n(t-T)$ . The outputs of each of the respective first channel mixer 147, second channel mixer 247, third channel mixer 347, through  $N^{\text{th}}$  channel mixer 447 are coupled to a first channel integrator 146, second channel integrator 246, third channel integrator 346 through  $N^{\text{th}}$  channel integrator 446, respectively. At the output of each of the channel integrators is produced an estimate of the respective first channel  $d_1$ , second channel  $d_2$ , third

-12-

channel  $d_3$ , through  $N^{\text{th}}$  channel  $d_N$ .

Referring to FIG. 1, use of the present invention is illustrated for the first channel of the spread-spectrum CDMA signal, with the understanding that the second through  $N^{\text{th}}$  CDMA channels work similarly. A received spread-spectrum CDMA signal at input 41 is delayed by delay device 48 and fed to the first subtractor 150. The spread-spectrum CDMA signal has the second channel through  $N^{\text{th}}$  channel despread by second mixer 61 using the second chip-code signal, through the  $N^{\text{th}}$  mixer 71 using the  $N^{\text{th}}$  chip-code signal. The respective second chip-code signal through the  $N^{\text{th}}$  chip-code signal are generated by the second chip-code-signal generator 62 through the  $N^{\text{th}}$  chip-code-signal generator 72. The second channel through  $N^{\text{th}}$  channel are despread and filtered through the second integrator 64 through the  $N^{\text{th}}$  integrator 74, respectively. The despreading removes, partially or totally, the non-despread channels at the outputs of each of the second integrator 64 through  $N^{\text{th}}$  integrator 74.

In a preferred embodiment, each of the chip-code signal used for the first chip-code-signal generator 52, second chip-code-signal generator 62 through the  $N^{\text{th}}$  chip-code-signal generator 72, are orthogonal to each other. Use of chip-code signals having orthogonality however, is not required for operation of the present invention. When using orthogonal chip-code signals, the despread signals have the respective channel plus noise at the output of each of the integrators. With orthogonal chip-code signals, theoretically the mixers remove channels orthogonal to the despread channel. The respective channel is spread-spectrum processed by the respective processing mixer.

At the output of the second processing mixer 65 through the  $N^{\text{th}}$  processing mixer 75 is a respread version of the second channel through the  $N^{\text{th}}$  channel, plus noise components contained therein. Each of the second channel

through  $N^{\text{th}}$  channel is then subtracted from the received spread-spectrum CDMA signal by the first subtractor 150. The first subtractor 150 produces the first subtracted signal. The first subtracted signal is despread by a  
5 delayed version of the first chip-code signal by first channel mixer 147, and filtered by first channel filter 146. Accordingly, prior to despreading the first channel of the spread-spectrum CDMA signal, the second through  $N^{\text{th}}$  channels plus noise components aligned with these channels are  
10 subtracted from the received spread-spectrum CDMA signal. As illustratively shown in FIG. 3, an alternative embodiment of the spread-spectrum CDMA interference canceler includes a plurality of first despreading means, a plurality of spread-spectrum-processing means, subtracting means, and second  
15 despreading means. In FIG. 3, the plurality of despreading means is shown as first despreading means, second despreading means through  $N^{\text{th}}$  despreading means. The first despreading means is embodied as a first matched filter 154. The first matched filter 154 has an impulse response matched  
20 to the first chip-code signal, which is used to spread-spectrum process and define the first channel of the spread-spectrum CDMA signal. The first matched filter 154 is coupled to the input 41.

The second despreading means is shown as second matched  
25 filter 164. The second matched filter 164 has an impulse response matched to the second chip-code signal, which is used to spread-spectrum process and define the second channel of the spread-spectrum CDMA signal. The second matched filter 164 is coupled to the input 41.

The  $N^{\text{th}}$  despreading means is shown an  $N^{\text{th}}$  matched filter  
30 174. The  $N^{\text{th}}$  matched filter has an impulse response matched to the  $N^{\text{th}}$  chip-code signal, which is used to spread-spectrum process and define the  $N^{\text{th}}$  channel of the spread-spectrum CDMA signal. The  $N^{\text{th}}$  matched filter is coupled to  
35 the input 41.

-14-

The term matched filter, as used herein, includes any type of matched filter that can be matched to a chip-code signal. The matched filter may be a digital matched filter or analog matched filter. A surface acoustic wave (SAW) device may be used at a radio frequency (RF) or intermediate frequency (IF). Digital signal processors and application specific integrated circuits (ASIC) having matched filters may be used at RF, IF or baseband frequency.

In FIG. 3, the plurality of spread-spectrum-processing means is shown as the first processing mixer 55, the second processing mixer 65, through the  $N^{\text{th}}$  processing mixer 75. The first processing mixer 55 may be coupled through a first adjustment device 97 to the first chip-code-signal generator 52. The second processing mixer 65 may be coupled through the second adjustment device 98 to the second chip-code-signal generator 62. The  $N^{\text{th}}$  processing mixer 75 may be coupled through the  $N^{\text{th}}$  adjustment device 73 to the  $N^{\text{th}}$  chip-code-signal generator 72. The first adjustment device 97, second adjustment device 98 through  $N^{\text{th}}$  adjustment device 99 are optional, and are used as an adjustment for aligning the first chip-code signal, second chip-code signal through  $N^{\text{th}}$  chip-code signal with the first despread signal, second despread signal through  $N^{\text{th}}$  despread signal, outputted from the first matched filter 154, second matched filter 164 through  $N^{\text{th}}$  matched filter 174, respectively.

The subtracting means is shown as the first subtractor 150. The first subtractor 150 is coupled to the output of the second processing mixer 65, through the  $N^{\text{th}}$  processing mixer 75. Additionally, the first subtractor 150 is coupled through the main delay device 48 to the input 41.

The first channel-despreading means is shown as a first channel-matched filter 126. The first channel-matched filter 126 is coupled to the first subtractor 150. The first channel-matched filter 126 has an impulse response matched to the first chip-code signal.



-15-

A first channel of a received spread-spectrum CDMA signal, at input 41, is despread by first matched filter 154. The first matched filter 154 has an impulse response matched to the first chip-code signal. The first chip-code signal defines the first channel of the spread-spectrum CDMA signal, and is used by the first chip-code-signal generator 52. The first chip-code signal may be delayed by adjustment time  $\tau$  by adjustment device 97. The output of the first matched filter 154 is spread-spectrum processed by the first processing mixer 55 with the first chip-code signal. The output of the first processing mixer 55 is fed to subtractors other than the first subtractor 150 for processing the second channel through  $N^{\text{th}}$  channel of the spread-spectrum CDMA signals.

For reducing interference to the first spread-spectrum channel, the received spread-spectrum CDMA signal is processed by the second despreding means through  $N^{\text{th}}$  despreding means as follows. The second matched filter 164 has an impulse response matched to the second chip-code signal. The second chip-code signal defines the second channel of the spread-spectrum CDMA signal, and is used by the second chip-code-signal generator 62. The second matched filter 164 despreads the second channel of the spread-spectrum CDMA signal. The output of the second matched filter 164 is the second despread signal. The second despread signal triggers second chip-code-signal generator 62. The second despread signal also is spread-spectrum processed by second processing mixer 65 by a timed version of the second chip-code signal. The timing of the second chip-code signal triggers the second despread signal from the second matched filter 164.

Similarly, the  $N^{\text{th}}$  channel of the spread-spectrum CDMA signal is despread by the  $N^{\text{th}}$  despreding means. Accordingly, the received spread-spectrum CDMA signal has the  $N^{\text{th}}$  channel despread by  $N^{\text{th}}$  matched filter 174. The

-16-

output of the  $N^{\text{th}}$  matched filter 174 is the  $N^{\text{th}}$  despread signal, i.e. a despread and filtered version of the  $N^{\text{th}}$  channel of the spread-spectrum CDMA signal. The  $N^{\text{th}}$  despread signal is spread-spectrum processed by a timed version of the  $N^{\text{th}}$  chip-code signal. The timing of the  $N^{\text{th}}$  chip-code signal is triggered by the  $N^{\text{th}}$  despread signal from the  $N^{\text{th}}$  matched filter 174. The  $N^{\text{th}}$  processing mixer 75 spread-spectrum processes the timed version of the  $N^{\text{th}}$  chip-code signal with the  $N^{\text{th}}$  despread signal.

At the first subtractor 150, each of the outputs of the second processing mixer 65 through the  $N^{\text{th}}$  processing mixer 75 are subtracted from a delayed version of the spread-spectrum CDMA signal from input 41. The delay of the spread-spectrum CDMA signal is timed through delay device 48. The time of delay device 48 is set to align the second through  $N^{\text{th}}$  spread-spectrum-processed-despread signals for subtraction from the spread-spectrum CDMA signal. This generates at the output of the first subtractor 150, a first subtracted signal. The subtracted signal is despread by the first channel-matched filter 126. This produces an output estimate  $d_1$  of the first channel of the spread-spectrum CDMA signal.

As illustrated in Fig. 4, a plurality of subtractors 150, 250, 350, 450 can be coupled appropriately to the output from a first processing mixer, second processing mixer, third processing mixer, through a  $N^{\text{th}}$  processing mixer, and to a main delay device from the input. A first subtracted signal is outputted from the first subtractor 150, a second subtracted signal is outputted from the second subtractor 250, a third subtracted signal is outputted from the third subtractor 350, through an  $N^{\text{th}}$  subtractor signal is outputted from an  $N^{\text{th}}$  subtractor 450.

The output of the first subtractor 150, second subtractor 250, third subtractor 350, through the  $N^{\text{th}}$  subtractor 450 are each coupled to a respective first

-17-

channel-matched filter 126, second channel-matched filter 226, third channel-matched filter 326, through  $N^{\text{th}}$  channel-matched filter 426. The first channel-matched filter 126, second channel-matched filter 226, third channel-matched filter 326 through  $N^{\text{th}}$  channel-matched filter 426 have an impulse response matched the first chip-code signal, second chip-code signal, third chip-code signal, through  $N^{\text{th}}$  chip-code signal, defining the first channel, second channel, third channel through  $N^{\text{th}}$  channel, respectively, of the spread-spectrum CDMA signal. At each of the outputs of the respective first channel-matched filter 126, second channel-matched filter 226, third channel-matched filter 326, through  $N^{\text{th}}$  channel-matched filter 426, is produced an estimate of the respective first channel  $d_1$ , second channel  $d_2$ , third channel  $d_3$ , through  $N^{\text{th}}$  channel  $d_n$ .

In use, the present invention is illustrated for the first channel of the spread-spectrum CDMA signal, with the understanding that the second channel through  $N^{\text{th}}$  channel work similarly. A received spread-spectrum CDMA signal at input 41 is delayed by delay device 48 and fed to subtractor 150. The same spread-spectrum CDMA signal has the second through  $N^{\text{th}}$  channel despread by the second matched filter 164 through the  $N^{\text{th}}$  matched filter 174. This despreading removes the other CDMA channels from the respective despread channel. In a preferred embodiment, each of the chip-code signals used for the first channel, second channel, through the  $N^{\text{th}}$  channel, is orthogonal to the other chip-code signals. At the output of the first matched filter 154, second matched filter 164 through  $N^{\text{th}}$  matched filter 174, are the first despread signal, second despread signal through  $N^{\text{th}}$  despread signal, plus noise.

The respective channel is spread-spectrum processed by the processing mixers. Accordingly, at the output of the second processing mixer 65 through the  $N^{\text{th}}$  processing mixer 75 is a spread version of the second despread signal through

-18-

the  $N^{\text{th}}$  despread signal, plus noise components contained therein. Each of the spread-spectrum-processed-despread signals, is then subtracted from the received spread-spectrum CDMA signal by the first subtractor 150. This produces the first subtracted signal. The first subtracted signal is despread by first channel-matched filter 126. Accordingly, prior to despreading the first channel of the spread-spectrum CDMA signal, the second channel through  $N^{\text{th}}$  channel plus noise components aligned with these channels, are subtracted from the received spread-spectrum CDMA signal.

As is well known in the art, correlators and matched filters may be interchanged to accomplish the same function. FIGS. 1 and 3 show alternate embodiments using correlators or matched filters. The arrangements may be varied. For example, the plurality of despreading means may be embodied as a plurality of matched filters, while the channel despreading means may be embodied as a correlator. Alternatively, the plurality of despreading means may be a combination of matched filters and correlators. Also, the spread-spectrum-processing means may be embodied as a matched filter or SAW, or as EXCLUSIVE-OR gates or other devices for mixing a despread signal with a chip-code signal. As is well known in the art, any spread-spectrum despreaders or demodulator may despread the spread-spectrum CDMA signal. The particular circuits shown in FIGS. 1-4 illustrate the invention by way of example.

The concepts taught in FIGS. 1-4 may be repeated, as shown in FIG. 5. FIG. 5 illustrates a first plurality of interference cancelers 511, 512, 513, a second plurality of interference cancelers 521, 522, 523, through an  $N^{\text{th}}$  plurality of interference cancelers 531, 532, 533. Each plurality of interference cancelers includes appropriate elements as already disclosed, and referring to FIGS. 1-4. The input is delayed through a delay device in each

-19-

interference canceler.

The received spread-spectrum CDMA signal has interference canceled initially by the first plurality of interference cancelers 511, 512, 513, thereby producing a first set of estimates, i.e. a first estimate  $d_{11}$ , a second estimate  $d_{12}$ , through an  $N^{\text{th}}$  estimate  $d_{1N}$ , of the first channel, second channel through the  $N^{\text{th}}$  channel, of the spread-spectrum CDMA signal. The first set of estimates can have interference canceled by the second plurality of interference cancelers 521, 522, 523. The first set of estimates  $d_{11}$ ,  $d_{12}$ , ...,  $d_{1N}$ , of the first channel, second channel through  $N^{\text{th}}$  channel, are input to the second plurality of interference cancelers, interference canceler 521, interference canceler 522 through  $N^{\text{th}}$  interference canceler 523 of the second plurality of interference cancelers. The second plurality of interference cancelers thereby produce a second set of estimates, i.e.  $d_{21}$ ,  $d_{22}$ , ...,  $d_{2N}$ , of the first channel, second channel, through  $N^{\text{th}}$  channel. Similarly, the second set estimates can pass through a third plurality of interference cancelers, and ultimately through an  $M^{\text{th}}$  set of interference cancelers 531, 532, 533, respectively.

The present invention also includes a method for reducing interference in a spread-spectrum CDMA receiver having  $N$  chip-code channels. Each of the  $N$  channels is identified by a distinct chip-code signal. The method comprises the steps of despread, using a plurality of chip-code signals, the spread-spectrum CDMA signal as a plurality of despread signals, respectively. Using a timed version of the plurality of chip-code signals, the plurality of despread signals are spread-spectrum processed with a chip-code signal corresponding to a respective despread signal. Each of the  $N-1$  spread-spectrum-processed-despread signals, is subtracted from the spread-spectrum CDMA signal, with the  $N-1$  spread-spectrum-processed-despread signals not

-20-

including a spread-spectrum-processed signal of the  $i^{\text{th}}$  despread signal, thereby generating a subtracted signal. The subtracted signal is despread to generate the  $i^{\text{th}}$  channel.

5 The probability of error  $P_e$  for direct sequence, spread-spectrum CDMA system is:

$$P_e = \frac{1}{2} \operatorname{erfc}(\alpha \text{SNR})^{1/2}$$

where  $\operatorname{erfc}$  is complementary error function, SNR is signal-to-noise ratio, and  $1 \leq \alpha \leq 2$ . The value of  $\alpha$  depends on how a particular interference canceler system is designed.

10 The SNR after interference cancellation and method is given by:

$$\text{SNR} = \frac{(PG/N)^{R+1}}{1 + (PG/N)^{R+1} \frac{1}{E_b/\eta} \frac{1 - (N/PG)^{R+1}}{1 - N/PG}}$$

15 where  $N$  is the number of channels,  $PG$  is the processing gain,  $R$  is the number of repetitions of the interference canceler,  $E_b$  is energy per information bit and  $\eta$  is noise power spectral density.

FIG. 6 illustrates theoretical performance characteristic, of the interference canceler and method for when  $E_b/\eta = 6$  dB. The performance characteristic is illustrated for SNR out of the interference canceler, versus  $PG/N$ . The lowest curve, for  $R = 0$ , is the performance without the interference canceler. The curves, for  $R = 1$  and  $R = 2$ , illustrates improved performance for using one and two iterations of the interference canceler as shown in FIG. 5. As  $PG/N \rightarrow 1$ , there is insufficient SNR to operate.

25 If  $PG > N$ , then the output SNR from the interference canceler approaches  $E_b/\eta$ . Further, if  $(N/PG)^{R+1} \ll 1$ , then

$$\text{SNR} \rightarrow (E_b/\eta)(1 - N/PG).$$

-21-

FIG. 7 illustrates the performance characteristic for when  $E_b/\eta = 10$  dB. FIG. 7 illustrates that three iterations of the interference canceler can yield a 4 dB improvement with  $PG/N = 2$ .

5 FIG. 8 illustrates the performance characteristic for when  $E_b/\eta = 15$  dB. With this bit energy to noise ratio, two iterations of the interference canceler can yield 6 dB improvement for  $PG/N = 2$ .

10 FIG. 9 illustrates the performance characteristic for when  $E_b/\eta = 20$  dB. With this bit energy to noise ratio, two iterations of the interference canceler can yield 6 dB improvement for  $PG/N = 2$ . Similarly, FIGS. 10 and 11 shows that one iteration of the interference canceler can yield more than 10 dB improvement for  $PG/N = 2$ .

15 The present invention may be extended to a plurality of interference cancelers. As shown in FIG. 12, a received spread-spectrum signal,  $R(t)$ , is despread and detected by CDMA/DS detector 611. Each of the channels is represented as outputs  $O_{01}, O_{02}, O_{03}, \dots, O_{0m}$ . Thus, each output is a  
20 despread, spread-spectrum channel from a received spread-spectrum signal,  $R(t)$ .

Each of the outputs of the CDMA/DS detector 611 is passed through a plurality of interference cancelers 612, 613, . . . , 614, which are serially connected. Each of the  
25 spread-spectrum channels passes through the interference canceling processes as discussed previously. The input to each interference canceler is attained by sampling and holding the output of the previous stage once per bit time. For channel  $i$ , the first interference canceler samples the  
30 output of the CDMA/DS detector at time  $t=T+\tau_i$ . This value is held constant as the input until  $t=2T+\tau_i$  at which point the next bit value is sampled. Thus, the input waveforms to the interference canceler are estimates,  $\hat{d}_i(t-\tau_i)$ , of the original data waveform,  $d_i(t-\tau_i)$ , and the outputs are second  
35 estimates,  $\hat{\hat{d}}_i(t-\tau_i)$ . The  $M$  spread-spectrum channel

-22-

outputs  $O_{0i}$ ,  $i=1, 2, \dots, M$ , are passed through interference canceler 612 to produce a new corresponding set of channel outputs  $O_{1i}$ ,  $i=1, 2, \dots, M$ .

5 As shown in FIG. 13, the outputs of a particular spread-spectrum channel, which are at the output of each of the interference cancelers, may be combined. Accordingly, combiner 615 can combine the output of the first channel which is from CDMA/DS detector 611, and the output  $O_{11}$  from the first interference canceler 612, and the output  $O_{21}$  from the second interference canceler 613, through the output  $O_{N1}$  from the  $N^{\text{th}}$  interference canceler 614. Each output to be combined is of the corresponding bit. Therefore "s" bit time delays are inserted for each  $O_{s1}$ . The combined outputs are then passed through the decision device 616. This can be done for each spread spectrum channel, and therefore designate the outputs of each of the combiners 615, 617, 619 as averaged outputs  $O_1$  for channel one, averaged output  $O_2$  for channel two, and averaged output  $O_M$  for channel M. Each of the averaged outputs are sequentially passed through decision device 616, decision device 618, and decision device 620. Preferably, the averaged outputs have multiplying factor  $c_j$  which may vary according to a particular design. In a preferred embodiment,  $c_j = 1/2^j$ . This allows the outputs of the various interference cancelers to be combined in a particular manner.

25 FIGS. 14-17 illustrate simulation performance characteristics for the arrangement of FIGS. 12 and 13. FIGS. 14-17 are for asynchronous channel (relative time delays are uniformly distributed between 0 and bit time,  $T$ ), processing gain of 100, all users have equal powers, and thermal signal to noise ratio ( $E_b/N$  of 30 dB). Length 8191 Gold codes are used for the PN sequences.

30 In FIG. 14, performance characteristic of each of the output stages of FIG. 12 is shown. Thus,  $S_0$  represents the BER performance at the output of CDMA/DS detector 611,  $S_1$

35



-23-

represents the BER performance at the output of interference canceler 612, S2 represents the BER performance at the output of interference canceler 613, etc. No combining of the outputs of the interference cancelers are used in determining the performance characteristic shown in FIG. 14. Instead, the performance characteristic is for repetitively using interference cancelers. As a guideline, in each of the subsequent figures the output for each characteristic of CDMA/DS detector 611 is shown in each figure.

FIG. 15 shows the performance characteristic when the output of subsequent interference cancelers are combined. This is shown for a particular channel. Thus, curve S0 is the output of the CDMA/DS detector 611. Curve S1 represents the BER performance of the average of the outputs of CDMA/DS detector 611 and interference canceler 612. Here  $C_0 = C_1 = 1/2$ ,  $C_j = 0$ ,  $j$  not equal to zero, one. Curve S2 represents the BER performance of the average output of interference canceler 613 and interference canceler 612. Curve S2 is determined using the combiner shown in FIG. 13. Here,  $C_1$  and  $C_2$  are set equal to  $1/2$  and all other  $C_j$  set to zero. Similarly, curve S3 is the performance of the output of a second and third interference canceler averaged together. Thus, curve S3 is the performance characteristic of the average between output of a second and third interference canceler. Curve S4 is the performance characteristic of the average output of a third and fourth interference canceler. Only two interference cancelers are taken at a time for determining a performance characteristic of an average output of those particular interference cancelers. FIG. 16 shows the regular outputs for the CDMA/DS detector 611, and a first and second interference canceler 612, 613. Additionally, the average output of the CDMA/DS detector 611 and the first interference canceler 612 is shown as S1 AVG. The BER performance of the average of the outputs of the first interference canceler 612 and the second interference

-24-

canceler 613 is shown as the average output S2 AVG.

FIG. 17 shows performance characteristic correspondence for those of Fig. 16, but in terms of signal to-noise ratio in decibels(dB).

5           It will be apparent to those skilled in the art that various modifications can be made to the spread-spectrum CDMA interference canceler and method of the instant invention without departing from the scope or spirit of the invention, and it is intended that the present invention  
10           cover modifications and variations of the spread-spectrum CDMA interference canceler and method provided they come within the scope of the appended claims and their equivalents.

-25-

WE CLAIM:

1. A spread-spectrum code division multiple access (CDMA) interference-canceler system for reducing interference in a spread-spectrum CDMA receiver having N channels, with each of the N channels identified by a distinct chip-code signal, comprising:

5 a plurality of interference cancelers, each of said interference cancelers including,

a plurality of means for generating a plurality of chip-code signals;

10 a plurality of despreading means, with each of said plurality of despreading means responsive to the respective distinct chip-code signal identifying a corresponding one of the N channels, for despreading a spread-spectrum CDMA signal as a plurality of despread signals; respectively

15 a plurality of means for timing the plurality of chip-code signals thereby generating a timed version of the plurality of chip-code signals;

20 a plurality of means, responsive to the timed version of the plurality of chip-code-signals, for spread-spectrum processing the plurality of despread signals, respectively, with a chip-code-signal corresponding to a respective despread signal;

25 means, for an  $i^{\text{th}}$  chip-code signal, for subtracting from the spread-spectrum CDMA signal each of an N-1 plurality of despread signals, with the N-1 plurality of despread signals not including a despread signal of an  $i^{\text{th}}$  despread signal, thereby generating a subtracted signal; and

30 channel means for despreading the subtracted signal with the  $i^{\text{th}}$  chip-code signal as an  $i^{\text{th}}$  channel signal; and

-26-

means, coupled to each of said plurality of interference cancelers, for combining the  $i^{\text{th}}$  channel signal output from each of a plurality of channel means, respectively.

35

2. The spread-spectrum CDMA interference canceler as set forth in claim 1 wherein each of said plurality of despreading means includes:

a filter;

5

a chip-code generator for generating a chip-code signal from a respective chip codeword; and

a mixer coupled between said filter and said chip-code generator.

3. The spread-spectrum CDMA interference canceler as set forth in claim 1 wherein each of said plurality of despreading means includes a matched filter having an impulse response matched to a respective chip codeword.

4. The spread-spectrum CDMA interference canceler as set forth in claim 1 wherein said channel-despreading means includes:

a filter;

5

a chip-code generator for generating a chip-code signal from a chip codeword corresponding to the  $i^{\text{th}}$  channel signal; and

a mixer coupled between said filter and said chip-code generator.

5. The spread-spectrum CDMA interference canceler as set forth in claim 2 wherein said channel-despreading means includes:

a filter;

-27-

5           a chip-code generator for generating a chip-code signal from a chip codeword corresponding to the  $i^{\text{th}}$  channel signal; and  
          a mixer coupled between said filter and said chip-code generator.

6.   The spread-spectrum CDMA interference canceler as set forth in claim 3 wherein said channel-despreading means includes:

          a filter;  
5           a chip-code generator for generating a chip-code signal from a chip codeword corresponding to the  $i^{\text{th}}$  channel signal; and  
          a mixer coupled between said filter and said chip-code generator.

7.   The spread-spectrum CDMA interference canceler as set forth in claim 3 wherein said channel-despreading means includes a matched filter having an impulse response matched to a chip codeword corresponding to the  $i^{\text{th}}$  channel.

8.   The spread-spectrum CDMA interference canceler as set forth in claim 1 wherein each of said plurality of despreading means includes a digital signal processor with digital matched filter having an impulse response matched to  
5   a respective chip codeword.

9.   The spread-spectrum CDMA interference canceler as set forth in claim 8 wherein said channel-despreading means includes a matched filter having an impulse response matched to a chip codeword corresponding to the  $i^{\text{th}}$  channel.

-28-

10. The spread-spectrum CDMA interference canceler as set forth in claim 1 wherein said channel-despreading means includes a digital signal processor with digital matched filter having an impulse response matched to a chip codeword corresponding to the  $i^{\text{th}}$  channel.

5

11. The spread-spectrum CDMA interference canceler as set forth in claim 8 wherein said channel-despreading means includes a surface acoustic wave (SAW) device having an impulse response matched to a chip codeword corresponding to the  $i^{\text{th}}$  channel.

5

12. The spread-spectrum CDMA interference canceler as set forth in claim 1 wherein each of said plurality of despreading means includes a surface acoustic wave (SAW) device having an impulse response matched to a chip codeword corresponding to the  $i^{\text{th}}$  channel.

5

13. The spread-spectrum CDMA interference canceler as set forth in claim 12 wherein said channel-despreading means includes a matched filter having an impulse response matched to a chip codeword corresponding to the  $i^{\text{th}}$  channel.

14. The spread-spectrum CDMA interference canceler as set forth in claim 12 wherein said channel-despreading means includes a chip-code generator for generating a chip-code signal from a digital matched filter having an impulse response matched to a chip codeword corresponding to the  $i^{\text{th}}$  channel.

5

15. The spread-spectrum CDMA interference canceler as set forth in claim 12 wherein said channel-despreading means includes a surface acoustic wave (SAW) device having an impulse response matched to a chip codeword corresponding to the  $i^{\text{th}}$  channel.

5

-29-

16. A spread-spectrum code division multiple access (CDMA) interference-canceler system for reducing interference in a spread-spectrum CDMA receiver having N channels, with each of the N channels identified by a distinct chip-code signal, comprising:

5 a plurality of interference cancelers, each of said interference cancelers including,

a plurality of chip-code-signal generators for generating a plurality of distinct chip-code signals;

10 a plurality of correlators, responsive to the plurality of distinct chip-code-signals, respectively, for despreading a spread-spectrum CDMA signal as a plurality of despread signals;

15 a plurality of delay devices coupled to said plurality of chip-code-signal generators for delaying the plurality of distinct chip-code signals as a timed plurality of chip-code signals, respectively;

20 a plurality of mixers, responsive to the timed plurality of chip-code signals, for spread-spectrum processing the plurality of despread signals, respectively, with a chip-code-signal corresponding to a respective despread signal;

25 a subtractor, for an  $i^{\text{th}}$  chip-code signal, for subtracting from the spread-spectrum CDMA signal, each of a plurality of  $N-1$  spread-spectrum-processed-despread signals, with the plurality of  $N-1$  spread-spectrum-processed-despread signals not including a spread-spectrum-processed-despread signal of an  $i^{\text{th}}$  despread signal, thereby generating a subtracted signal;

30 a channel correlator for despreading the subtracted signal with the  $i^{\text{th}}$  chip-code signal as an  $i^{\text{th}}$  channel signal; and

35 a combiner for combining the  $i^{\text{th}}$  channel signal output from each of a plurality of channel correlators, to generate an averaged estimate.

-30-

17. A spread-spectrum code division multiple access (CDMA) interference-canceler system for reducing interference in a spread-spectrum CDMA receiver having N channels, with each of the N channels identified by a distinct chip-code signal, comprising:

5 a plurality of interference cancelers, each of said interference cancelers including,

10 a plurality of matched filters, responsive to a plurality of distinct chip-code signals, respectively, for despreading a spread-spectrum CDMA signal as a plurality of despread signals;

15 a plurality of chip-code-signal generators, responsive to the plurality of despread signals from the plurality of matched filters, respectively, for generating a timed plurality of chip-code signals;

20 a plurality of mixers, responsive to the plurality of despread signals from the plurality of matched filters and the timed plurality of chip-code signals from the plurality of chip-code-signal generators, respectively, for spread-spectrum processing the plurality of despread signals, respectively, with a timed chip-code signal corresponding to a respective despread signal;

25 a subtractor, for an  $i^{\text{th}}$  chip-code signal, for subtracting from the spread-spectrum CDMA signal, each of a plurality of  $N-1$  spread-spectrum-processed-despread signals, with the plurality of  $N-1$  spread-spectrum-processed-despread signals not including a spread-spectrum processed-despread signal of an  $i^{\text{th}}$  despread signal, thereby generating a subtracted signal;

30 a channel matched filter for despreading the subtracted signal with the  $i^{\text{th}}$  chip-code-signal as an  $i^{\text{th}}$  channel signal; and

means for combining the  $i^{\text{th}}$  channel signal output from each of a plurality of channel matched filters.



-31-

18. A method for reducing interference in a spread-spectrum code division multiple access (CDMA) receiver having N channels, with each of the N channels identified by a distinct chip-code signal, using a first plurality of interference cancelers, comprising the steps, within each of  
5 said plurality of interference cancelers, of:

a. despreading, simultaneously, a plurality of spread-spectrum channels of a spread-spectrum CDMA signal as a plurality of despread signals, respectively;

10 b. spread-spectrum processing, simultaneously, using a timed version of a plurality of chip-code-signals, the plurality of despread signals, respectively, with a chip-code signal corresponding to a respective despread signal;

15 c. subtracting from the spread-spectrum CDMA signal, each of a plurality of N-1 spread-spectrum-processed-despread signals, with the plurality of N-1 spread-spectrum-processed-despread signals not including a spread-spectrum processed despread signal of an  $i^{\text{th}}$  despread signal, thereby generating a subtracted signal;

20 d. despreading the subtracted signal with an  $i^{\text{th}}$  chip-code signal as an  $i^{\text{th}}$  channel signal, producing a first set of estimates of the N channels;

25 e. repeating steps a through d, using a second plurality of interference cancelers, producing a second set of estimates of the N channels;

f. repeating steps a through d, using an  $M^{\text{th}}$  plurality of interference cancelers, producing an  $M^{\text{th}}$  set of estimates of the N channels; and

30 g. combining each estimate of the  $M^{\text{th}}$  set of estimates.

-32-

19. A spread-spectrum code division multiple access (CDMA) interference-canceler system for reducing interference in a spread-spectrum CDMA receiver having N channels, with each of the N channels identified by a distinct chip-code signal, comprising:

5 a plurality of interference cancelers, each of said interference cancelers including,

10 a plurality of chip-code-signal generators for generating, simultaneously, a plurality of chip-code signals;

15 a plurality of correlators, responsive to a plurality of distinct chip-code-signals, for simultaneously despread a plurality of spread-spectrum channels of a spread-spectrum CDMA signal as a plurality of despread signals, respectively;

20 a plurality of delay devices coupled to said plurality of chip-code-signal generators for delaying the plurality of chip-code signals as a timed plurality of chip-code signals, respectively;

25 a plurality of mixers, responsive to the timed plurality of chip-code signals, for spread-spectrum processing, simultaneously, the plurality of despread signals, respectively, with a chip-code-signal corresponding to a respective despread signal, producing N spread-spectrum-processed-despread signals;

30 a plurality of subtractors, each of said plurality of subtractors for subtracting from the spread-spectrum CDMA signal all but a particular one of the N spread-spectrum-processed-despread signals, with the particular one of the N spread-spectrum-processed-despread signals being different for each of said plurality of subtractors, thereby generating a plurality of subtracted signals;

-33-

35 a plurality of channel correlators for  
despreading the plurality of subtracted signals with a  
particular one of the plurality of chip-code signals,  
respectively, as a plurality of channel signals; and  
means for combining each channel signal from an  
interference canceler, respectively.

20. A spread-spectrum code division multiple access  
(CDMA) interference-canceler system for reducing  
interference in a spread-spectrum CDMA receiver having N  
channels, with each of the N channels identified by a  
5 distinct chip-code signal, comprising:

a plurality of interference cancelers, each of  
said interference cancelers including,

10 a plurality of chip-code-signal generators  
for generating, simultaneously, a plurality of chip-code  
signals;

a plurality of correlators, responsive to a  
plurality of distinct chip-code-signals, for simultaneously  
despreading a plurality of spread-spectrum channels of a  
spread-spectrum CDMA signal as a plurality of despread  
15 signals, respectively;

a plurality of delay devices coupled to said  
plurality of chip-code-signal generators for delaying the  
plurality of chip-code signals as a timed plurality of chip-  
code signals, respectively;

20 a plurality of mixers, responsive to the  
timed plurality of chip-code signals, for spread-spectrum  
processing, simultaneously, the plurality of despread  
signals, respectively, with a chip-code-signal corresponding  
to a respective despread signal, producing N spread-  
25 spectrum-processed-despread signals;

-34-

a first subtractor, for subtracting from the spread-spectrum CDMA signal, all but a first one of the N spread-spectrum-processed-despread signals, thereby generating a first subtracted signal;

30 a second subtractor, for subtracting from the spread-spectrum CDMA signal, all but a second one of the N spread-spectrum-processed-despread signals, thereby generating a second subtracted signal; and

35 an  $n^{\text{th}}$  subtractor, for subtracting from the spread-spectrum CDMA signal, all but an  $n^{\text{th}}$  one of the N spread-spectrum-processed-despread signals, thereby generating an  $n^{\text{th}}$  subtracted signal;

40 a first channel correlator for despreading the first subtracted signal with a first chip-code signal as an estimate of a first channel;

a second channel correlator for despreading the second subtracted signal with a second chip-code signal as an estimate of a second channel;

45 an  $n^{\text{th}}$  channel correlator for despreading the  $n^{\text{th}}$  subtracted signal with an  $n^{\text{th}}$  chip-code signal as an estimate of an  $n^{\text{th}}$  channel signal; and

means for combining the estimates of the  $n^{\text{th}}$  channel from said plurality of interference cancelers.

21. A spread-spectrum code division multiple access (CDMA) interference-canceler system for reducing interference in a spread-spectrum CDMA receiver having N channels, with each of the N channels identified by a distinct chip-code signal, comprising:

5 a plurality of interference cancelers, each of said interference cancelers including,

10 a plurality of matched filters, responsive to a plurality of distinct chip-code-signals, for despreading, simultaneously, a plurality of spread-spectrum channels of a

-35-

spread-spectrum CDMA signal as a plurality of despread signals, respectively;

15 a plurality of chip-code-signal generators, responsive to the plurality of despread signals from the plurality of matched filters, for generating, simultaneously, a timed plurality of chip-code signals, respectively;

20 a plurality of mixers, responsive to the plurality of despread signals from the plurality of matched filters and the timed plurality of chip-code signals from the plurality of chip-code-signal generators, respectively, for spread-spectrum processing, simultaneously, the plurality of despread signals, respectively, with a timed chip-code signal corresponding to a respective despread  
25 signal, producing N spread-spectrum-processed-despread signals;

30 a plurality of subtractors, each of said plurality of subtractors for subtracting from the spread-spectrum CDMA signal all but a particular one of the N spread-spectrum-processed-despread signals, with the particular one of the N spread-spectrum-processed-despread signals being different for each of said plurality of subtractors, thereby generating a plurality of subtracted signals;

35 a plurality of channel-matched filters for despreding the plurality of subtracted signals with a particular one of the plurality of distinct chip-code signals, respectively, as a plurality of channels; and

40 means for combining a respective channel from the plurality of interference cancelers to produce an averaged estimate.

-36-

22. A spread-spectrum code division multiple access (CDMA) interference-canceler system for reducing interference in a spread-spectrum CDMA receiver having N channels, with each of the N channels identified by a distinct chip-code signal, comprising:

5 a plurality of interference cancelers, each of said interference cancelers including,

10 a plurality of matched filters, responsive to a plurality of distinct chip-code-signals, for simultaneously despreding a plurality of spread-spectrum channels of a spread-spectrum CDMA signal as a plurality of despread signals, respectively;

15 a plurality of chip-code-signal generators, responsive to the plurality of despread signals from the plurality of matched filters, for generating, simultaneously, a timed plurality of chip-code signals, respectively;

20 a plurality of mixers, responsive to the plurality of despread signals from the plurality of matched filters and the timed plurality of chip-code signals from the plurality of chip-code-signal generators, respectively, for spread-spectrum processing, simultaneously, the plurality of despread signals, respectively, with a timed chip-code signal corresponding to a respective despread signal, producing N spread-spectrum-processed-despread signals;

25 a first subtractor, for subtracting from the spread-spectrum CDMA signal, all but a first one of the N spread-spectrum-processed-despread signals, thereby generating a first subtracted signal;

30 a second subtractor, for subtracting from the spread-spectrum CDMA signal, all but a second one of the N spread-spectrum-processed-despread signals, thereby generating a second subtracted signal; and

-37-

35                    an  $n^{\text{th}}$  subtractor, for subtracting from the  
spread-spectrum CDMA signal, all but an  $n^{\text{th}}$  one of the  $N$   
spread-spectrum-processed-despread signals, thereby  
generating an  $n^{\text{th}}$  subtracted signal;

40                    a first channel-matched filter for  
despreading the first subtracted signal with a first chip-  
code signal as an estimate of a first channel;

                    a second channel-matched filter for  
despreading the second subtracted signal with a second chip-  
code signal as an estimate of a second channel;

45                    an  $n^{\text{th}}$  channel-matched filter for despreading  
the  $n^{\text{th}}$  subtracted signal with an  $n^{\text{th}}$  chip-code signal as an  
estimate of an  $n^{\text{th}}$  channel; and

                    means for combining a plurality of estimates of  
the  $n^{\text{th}}$  channel from said plurality of interference  
50                    cancelers.

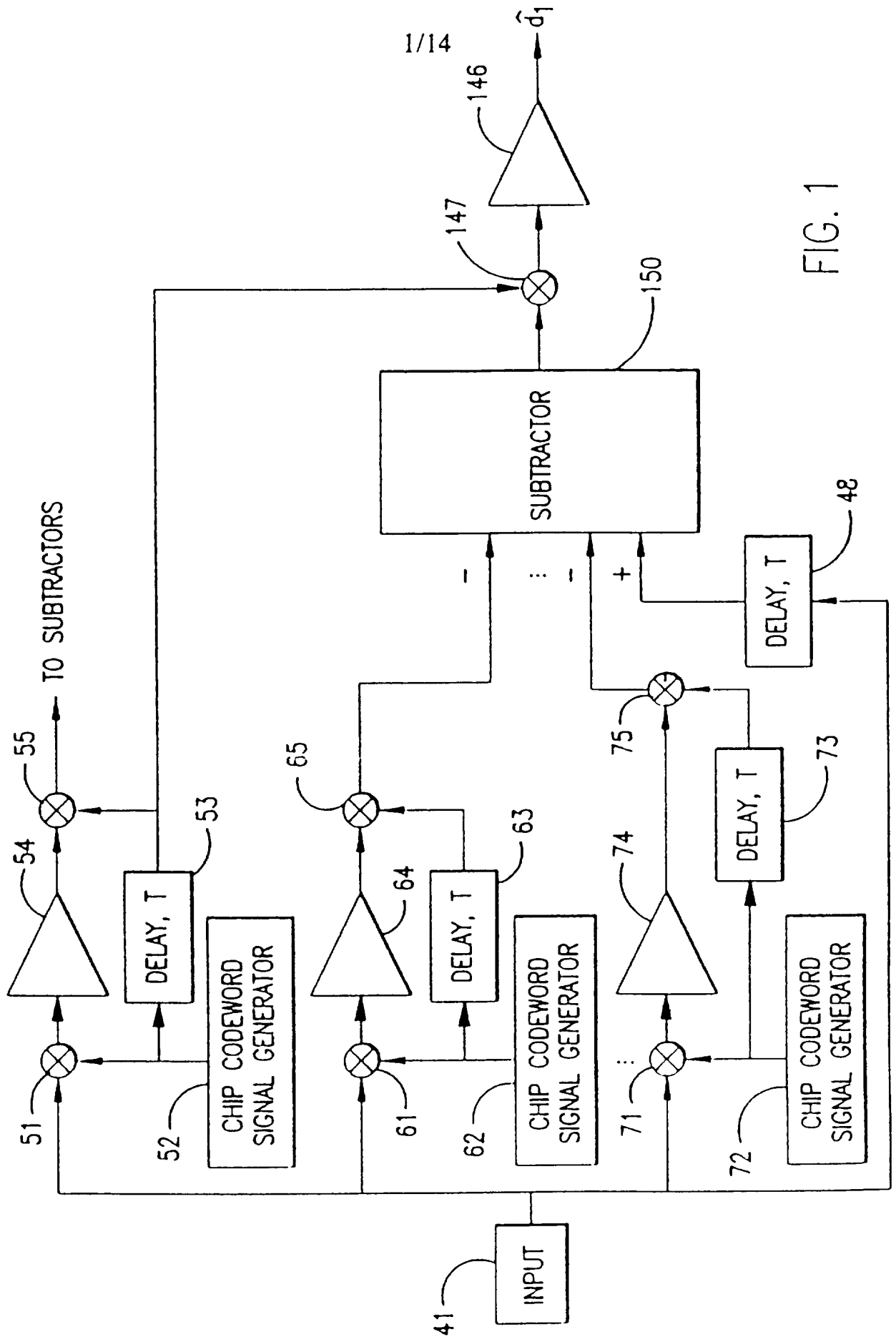


FIG. 1



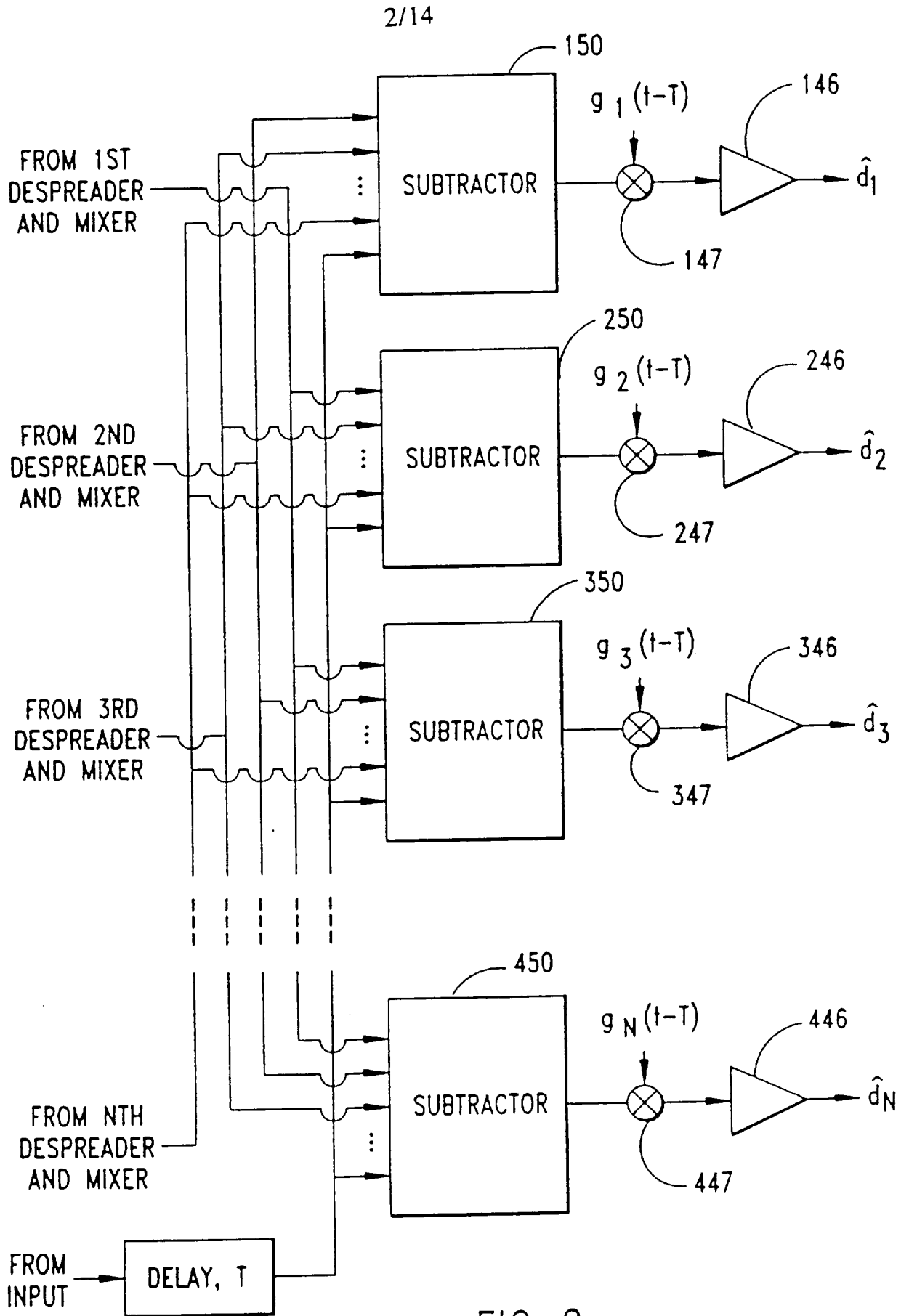


FIG. 2

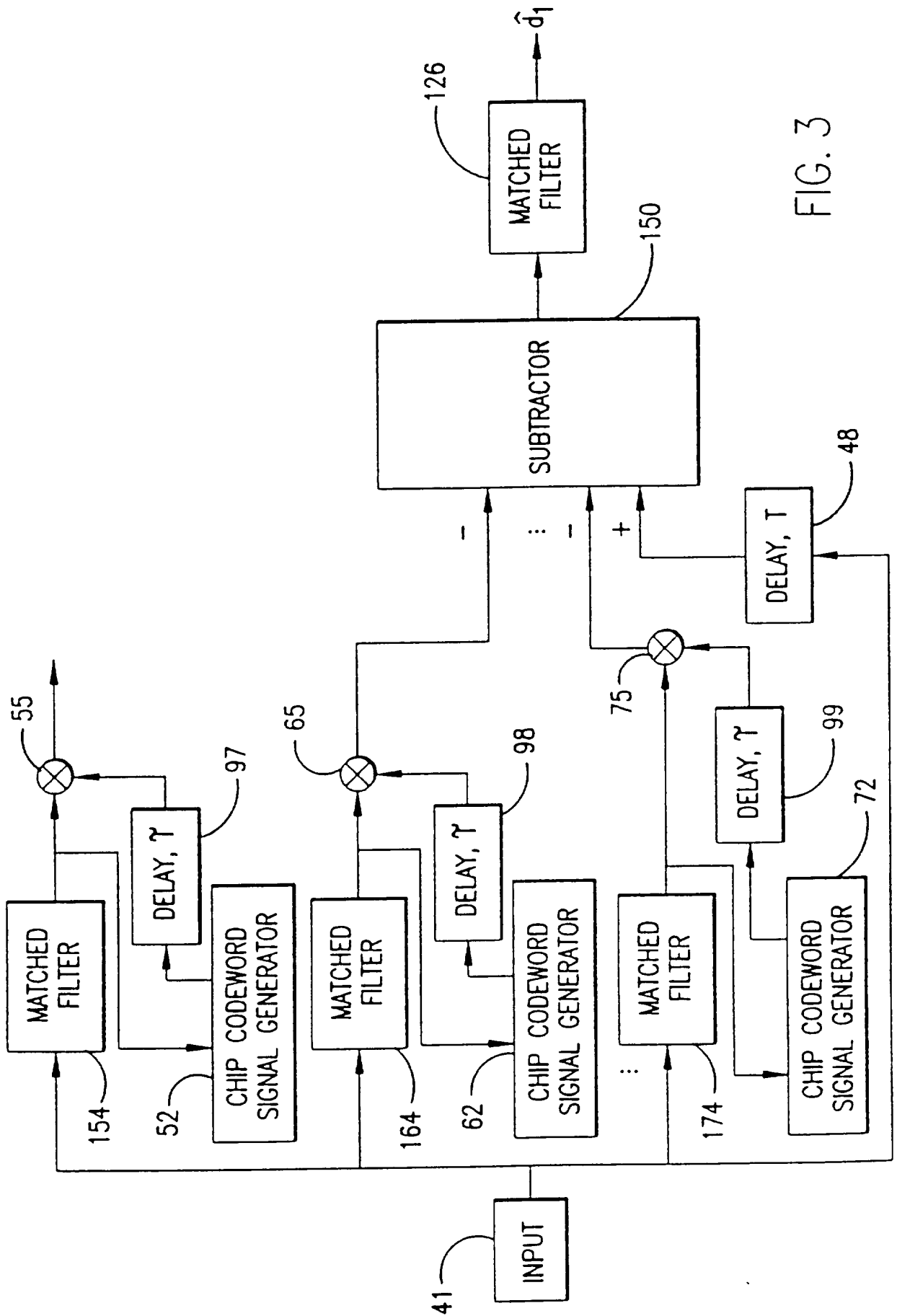


FIG. 3

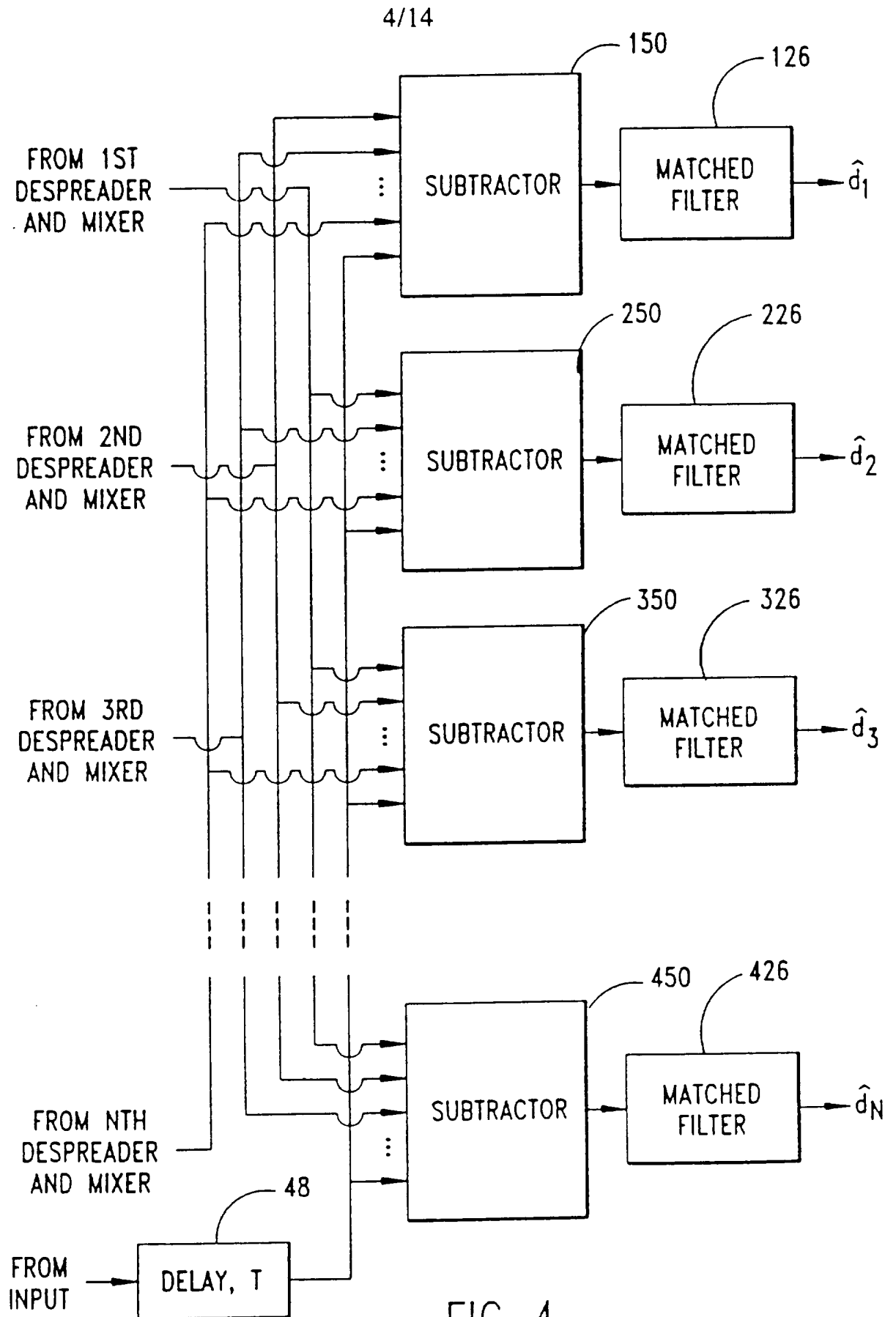


FIG. 4

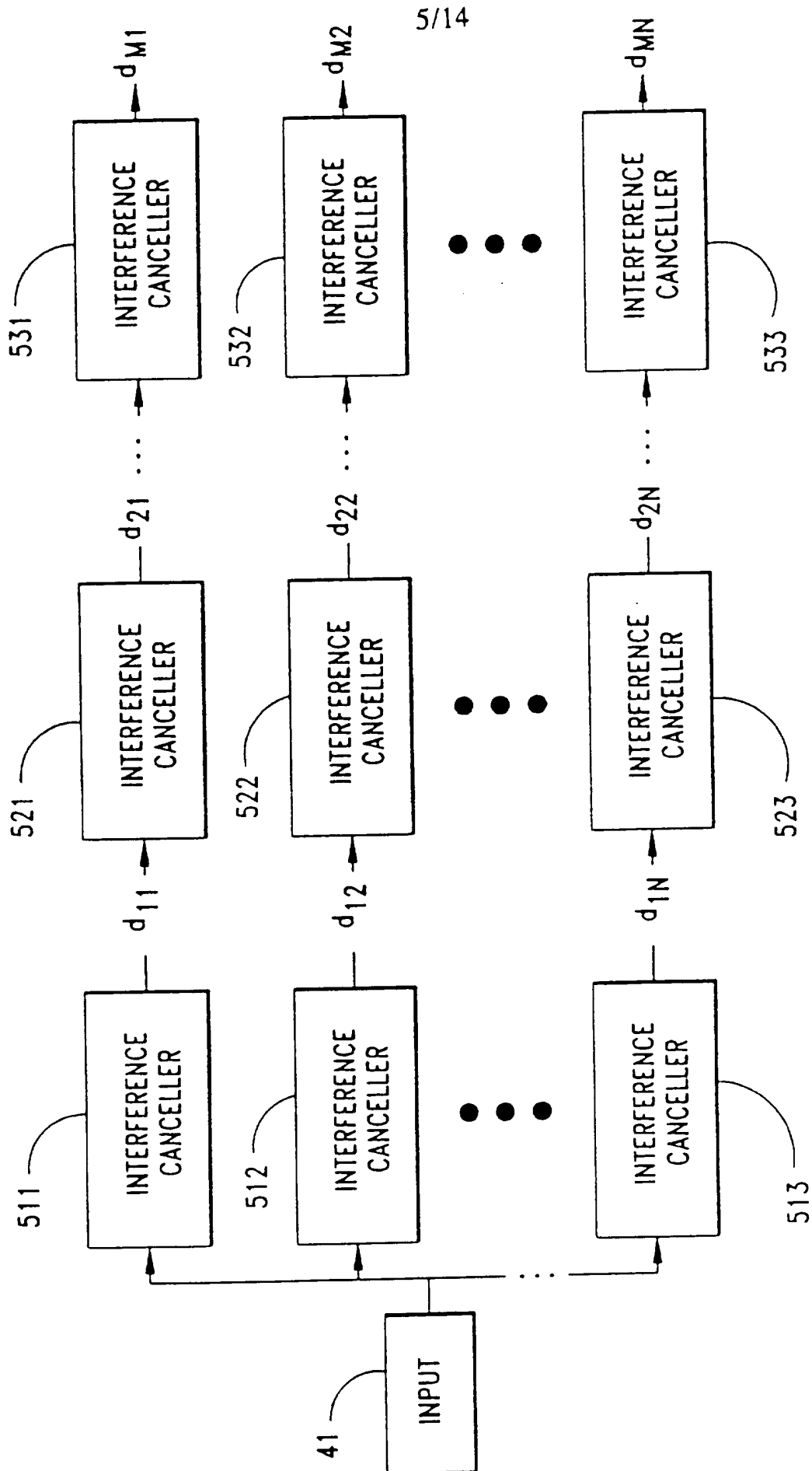


FIG. 5

6/14

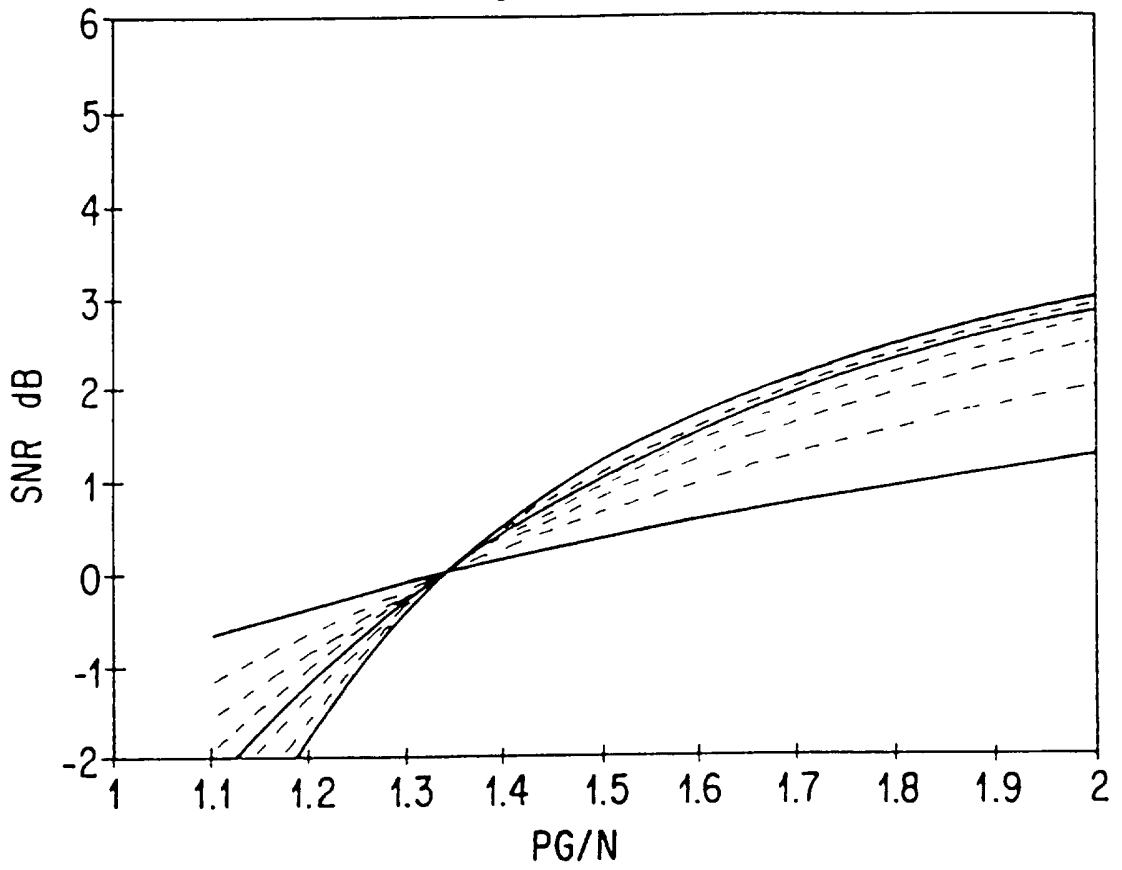


FIG.6

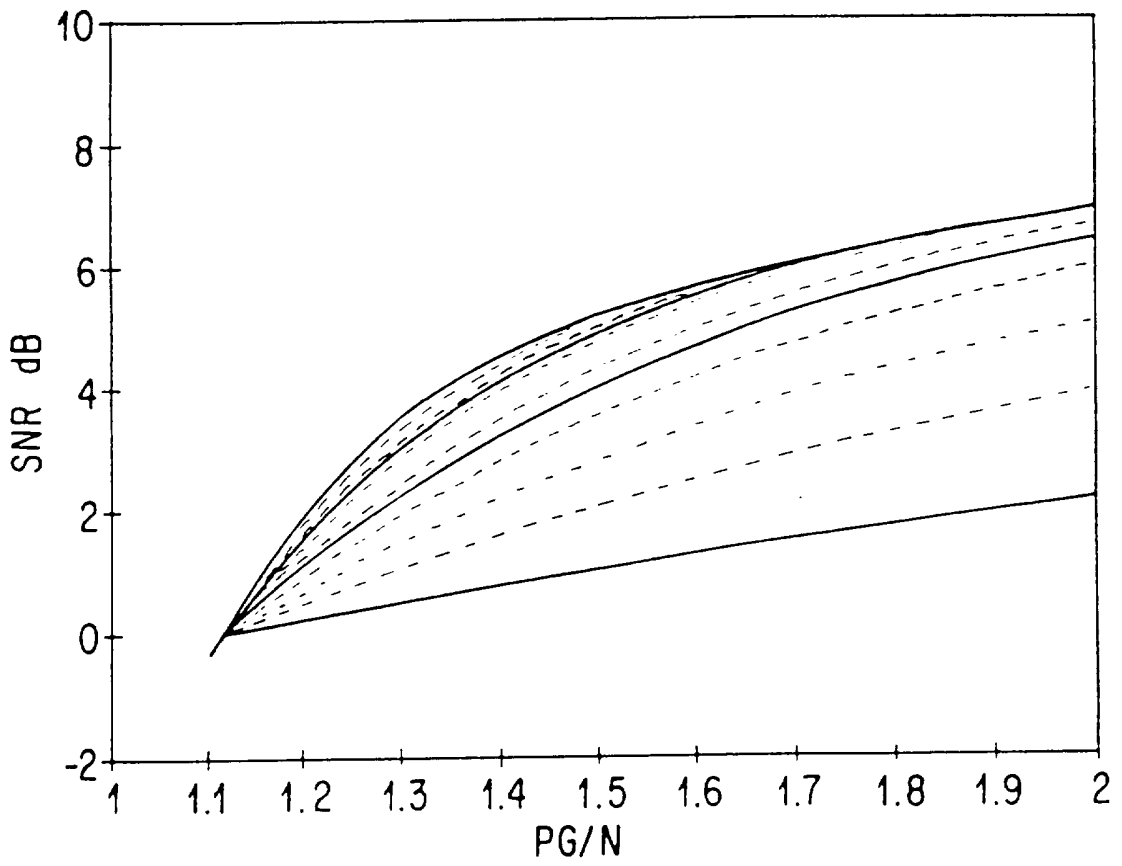


FIG.7

7/14

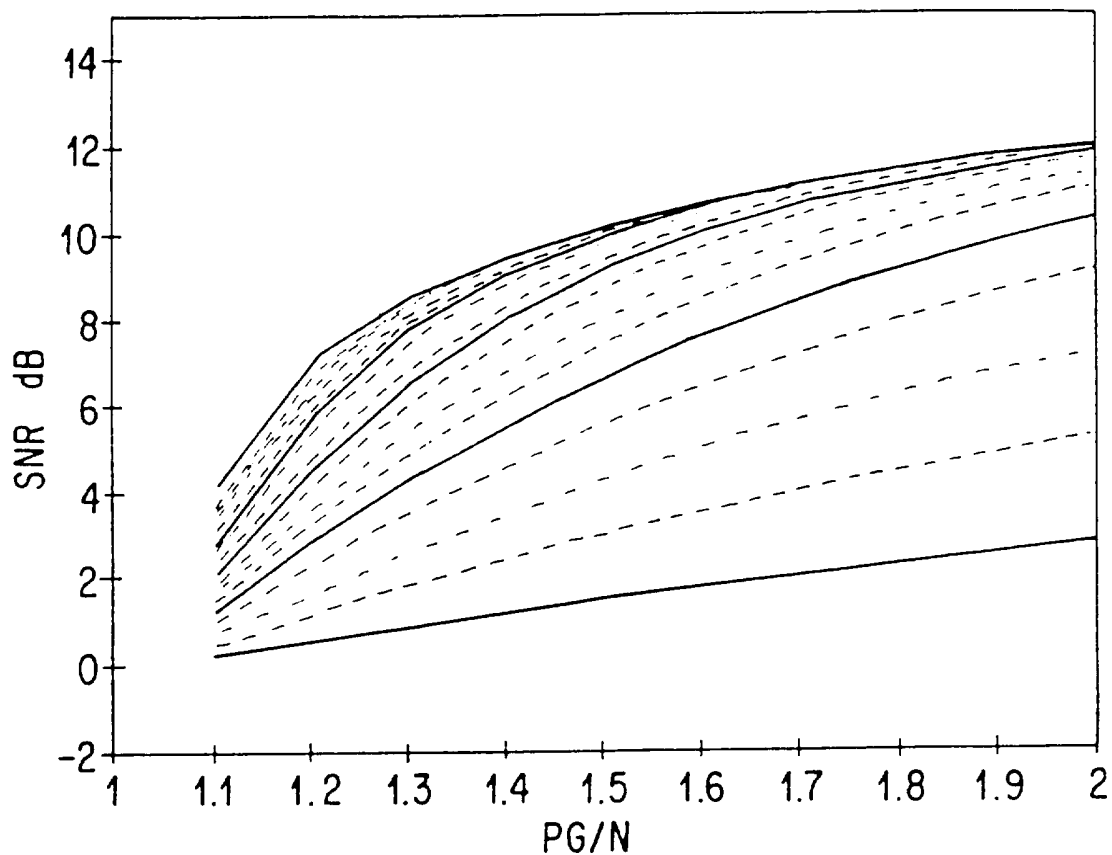


FIG. 8

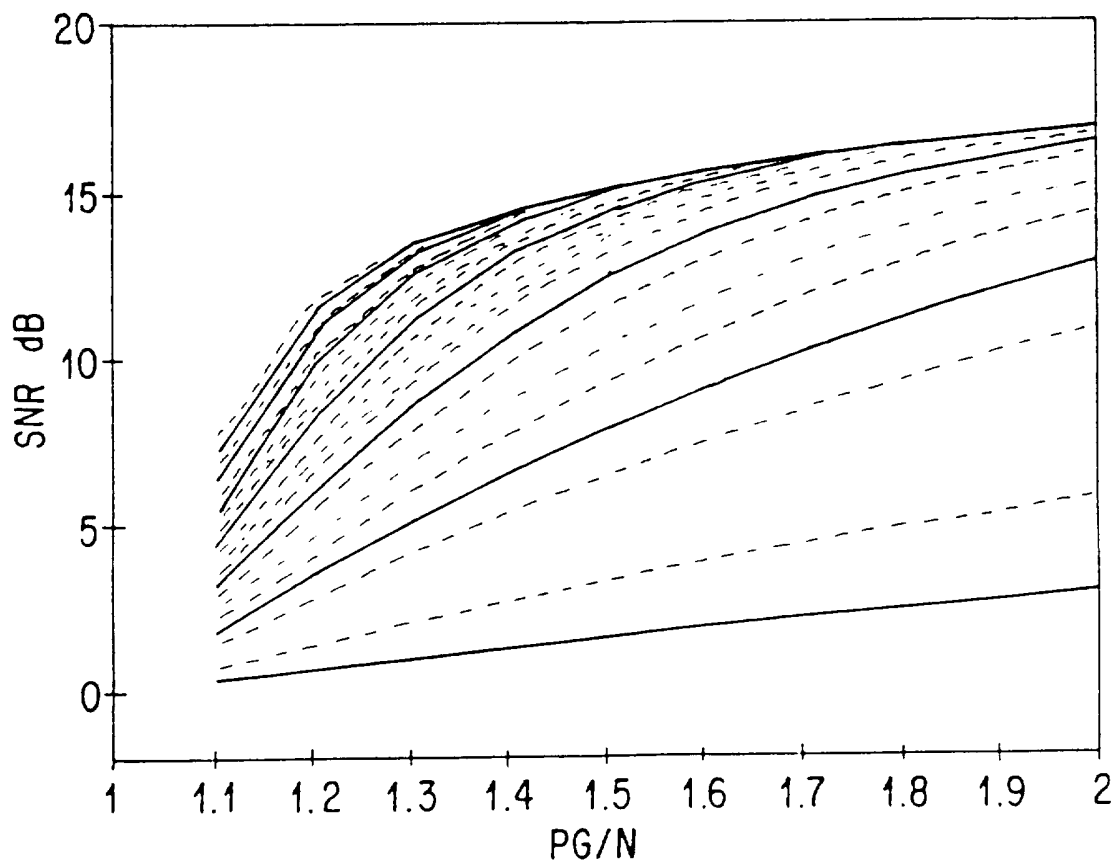


FIG. 9

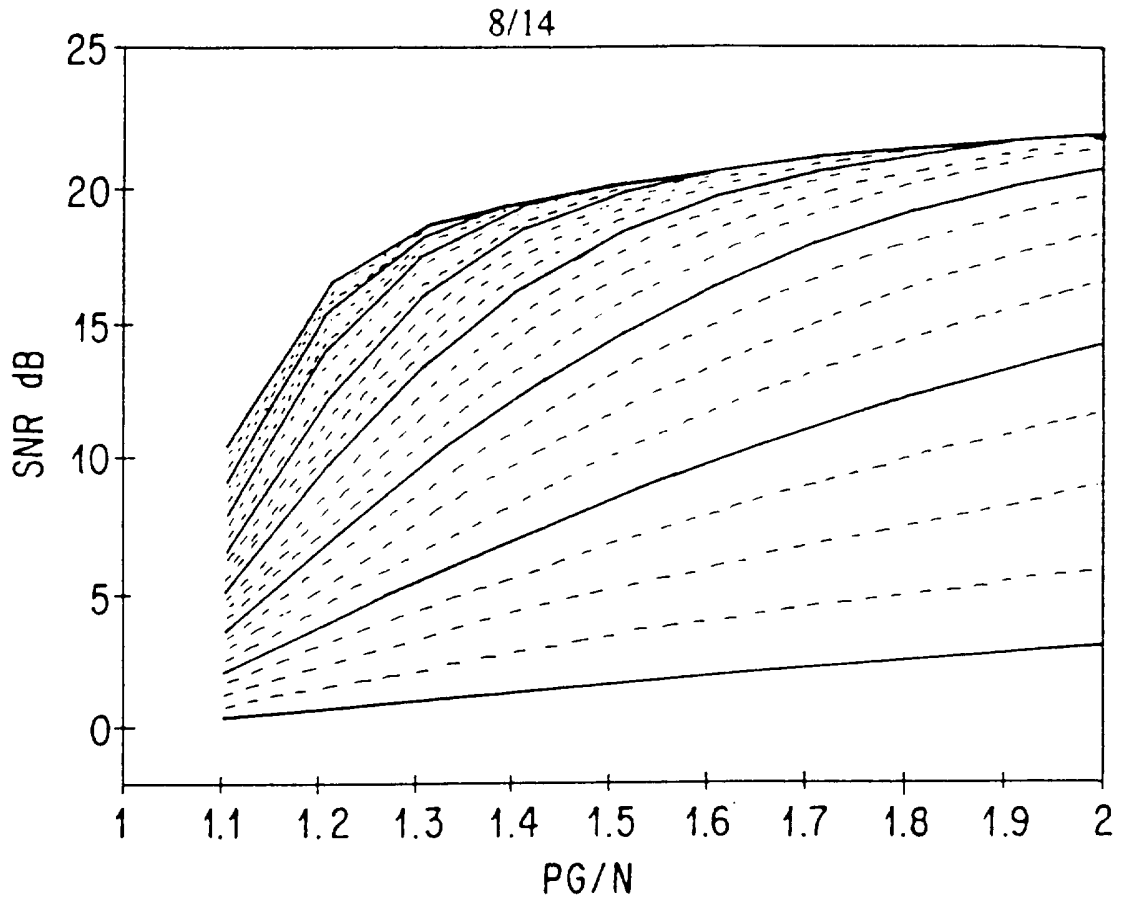


FIG.10

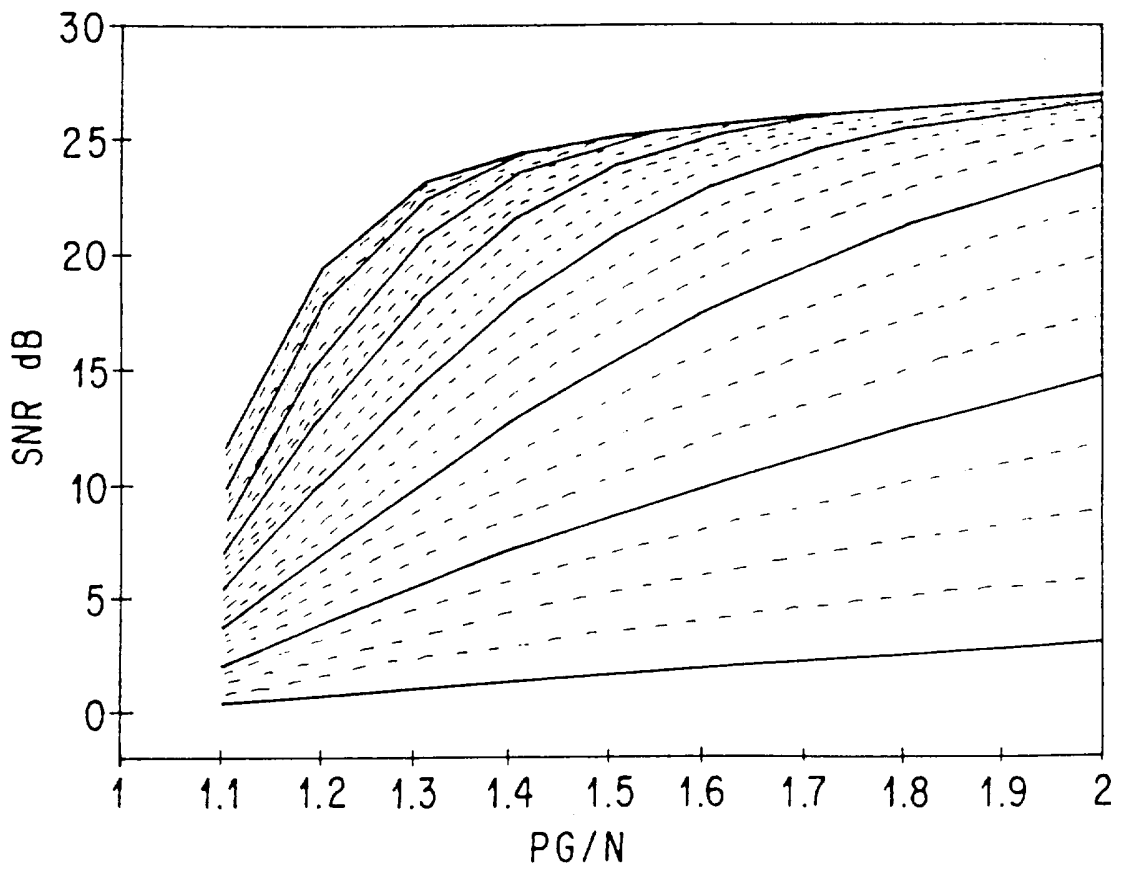


FIG.11

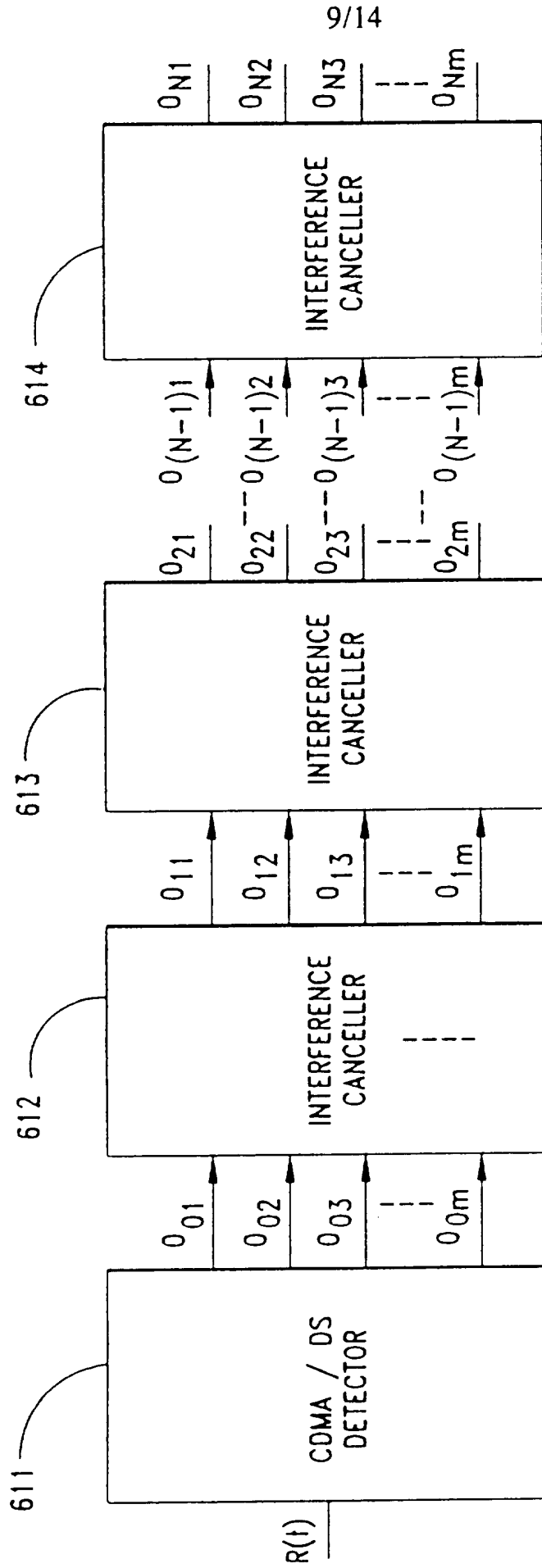


FIG. 12



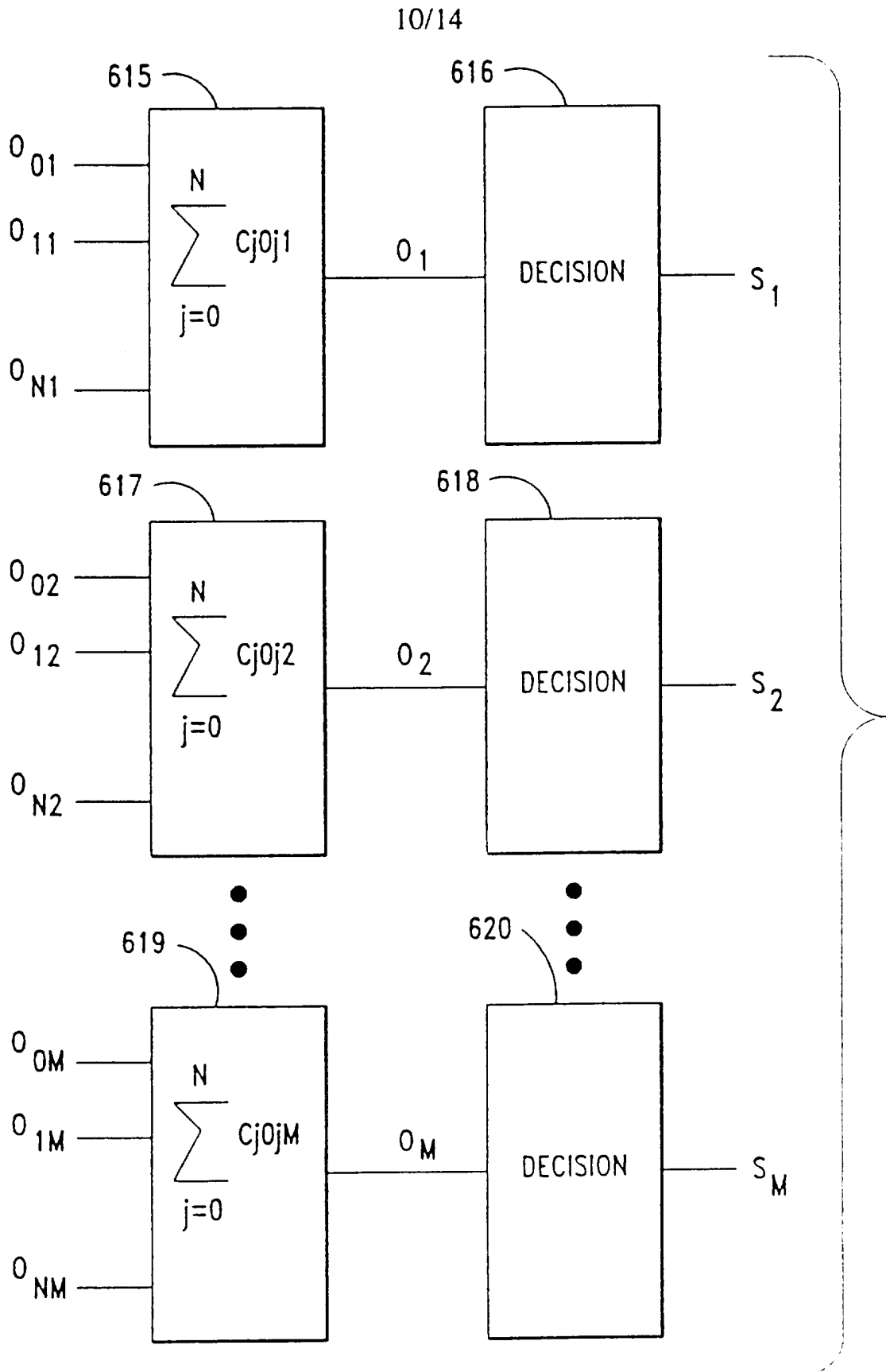


FIG. 13

11/14

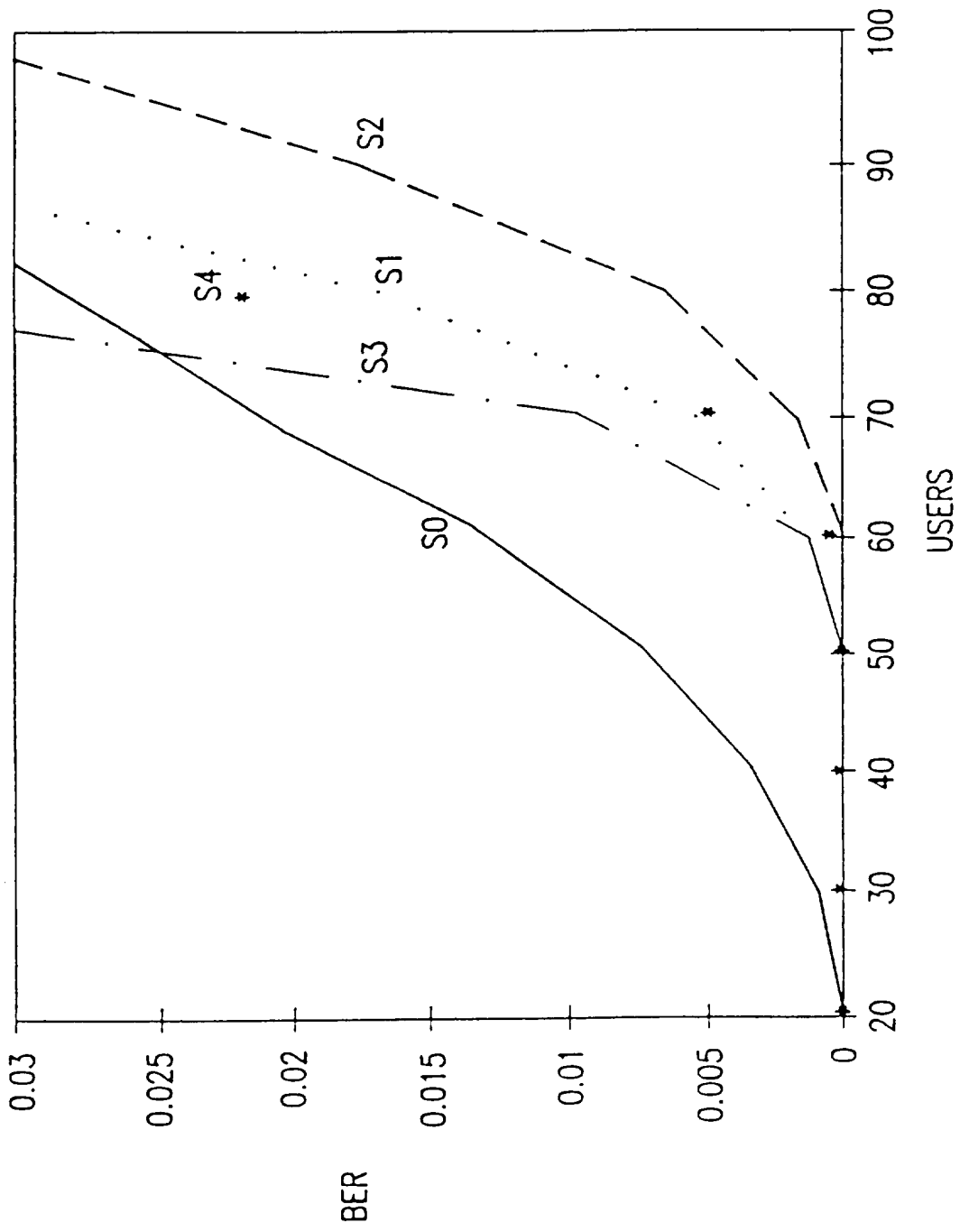


FIG. 14

12/14

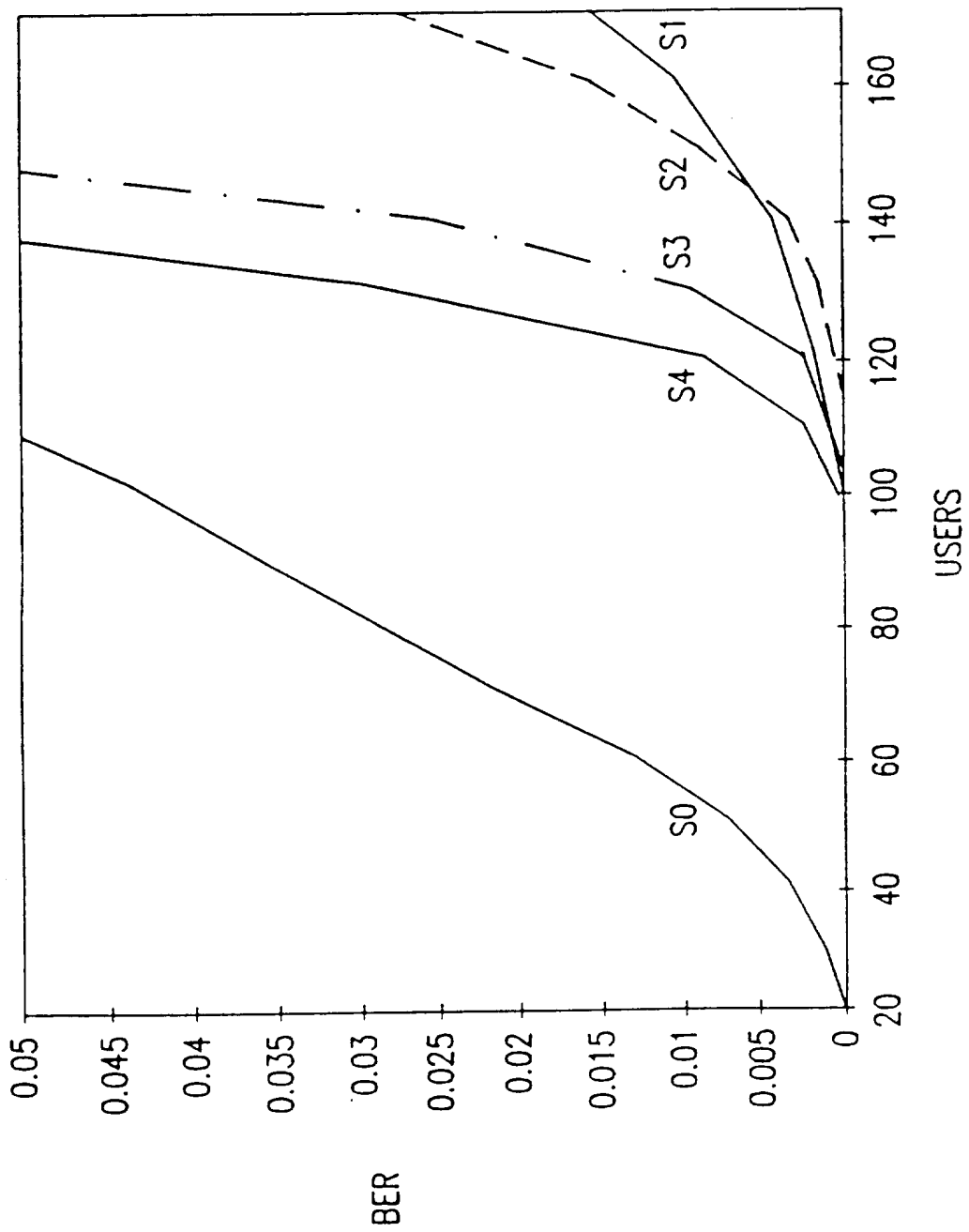


FIG. 15

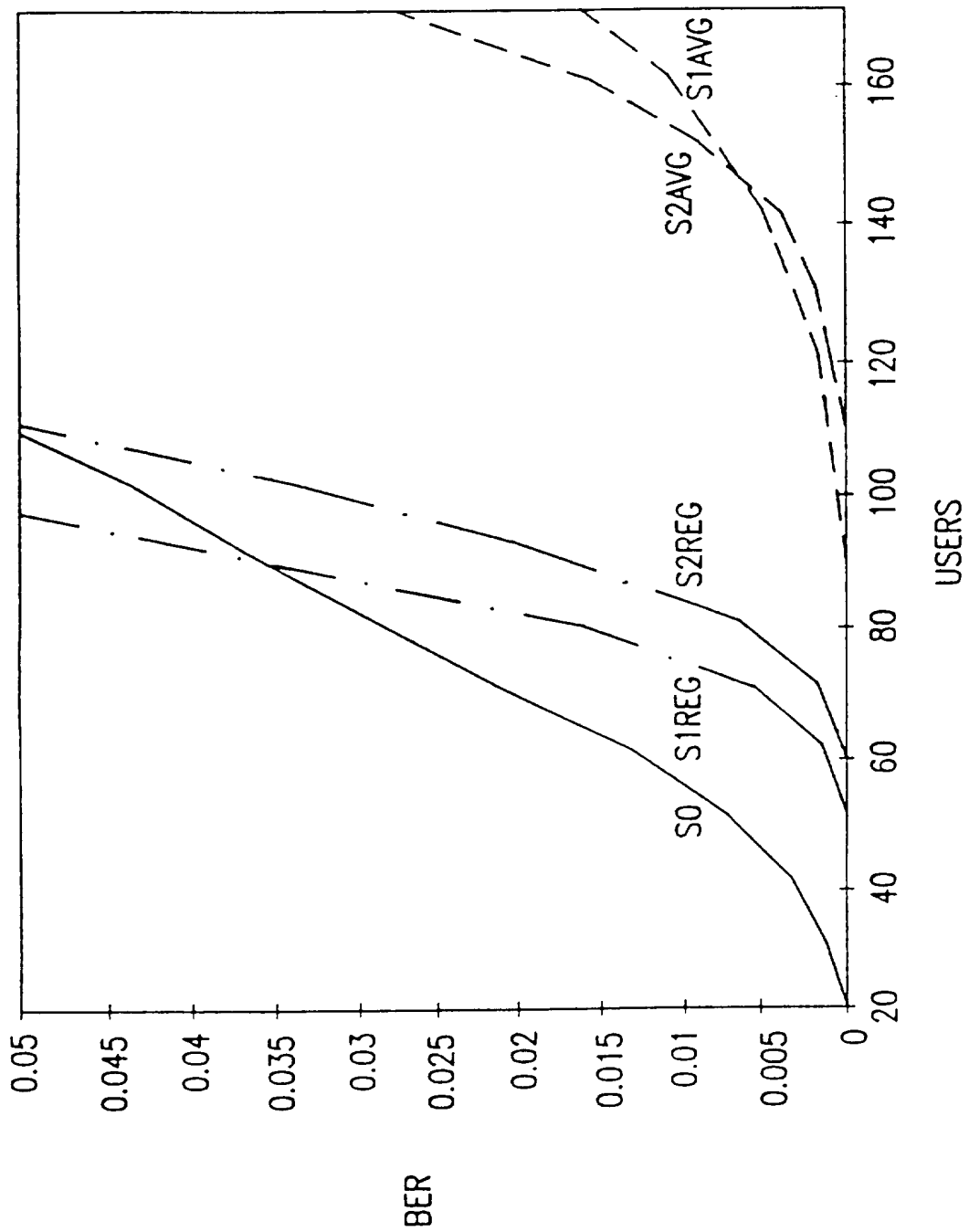


FIG. 16

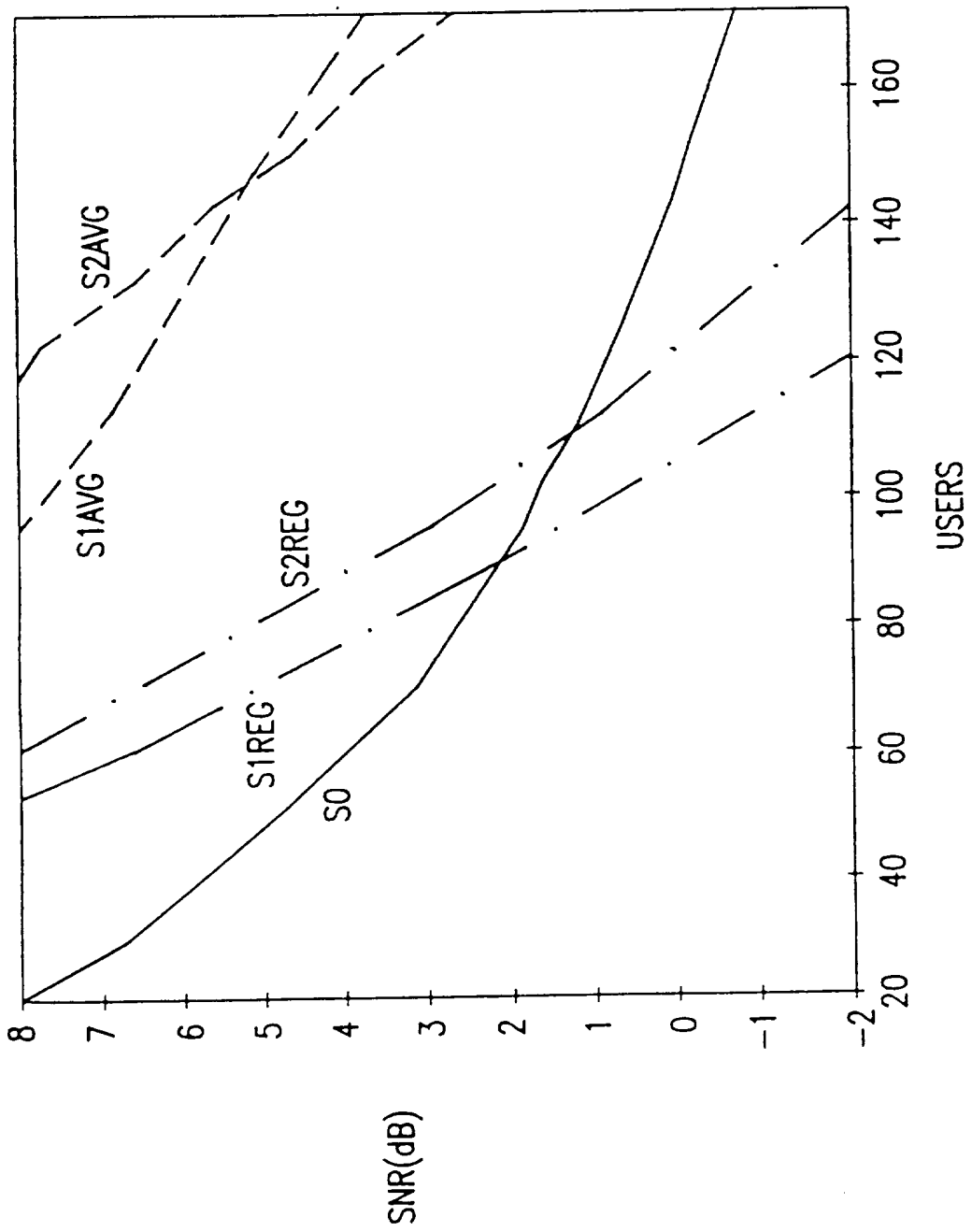


FIG. 17

INTERNATIONAL SEARCH REPORT

International application No.  
PCT/US95/09652

A. CLASSIFICATION OF SUBJECT MATTER

IPC(6) :H04J 13/02

US CL :370/18; 375/205, 207

According to International Patent Classification (IPC) or to both national classification and IPC

B. FIELDS SEARCHED

Minimum documentation searched (classification system followed by classification symbols)

U.S. : 370/18; 375/205, 207, 208, 209, 210; 380/34

Documentation searched other than minimum documentation to the extent that such documents are included in the fields searched

Electronic data base consulted during the international search (name of data base and, where practicable, search terms used)

Please See Extra Sheet.

C. DOCUMENTS CONSIDERED TO BE RELEVANT

Category*	Citation of document, with indication, where appropriate, of the relevant passages	Relevant to claim No.
A,P	US, A, 5,343,496 (HONIG ET AL) 30 December 1994, Col. 1-10.	1-22
A,P	US, A, 5,418,814 (HULBERT) 23 May 1995, Abstract, Col. 1-3.	1-22
A	US, A, 5,276,704 (DIXON) 04 January 1994, Abstract, Col. 1 and 2.	11-15
A	US, A, 5,151,919 (DENT) 29 September 1992, Abstract, col. 1-15.	1-22
A,P	US, A, 5,353,304 (MOCHIZUKI) 04 October 1994, Abstract.	11-15
A,P	US, A, 5,377,225 (DAVIS) 27 December 1994, col. 1-4	1-22

Further documents are listed in the continuation of Box C.  See patent family annex.

* Special categories of cited documents:	*T	later document published after the international filing date or priority date and not in conflict with the application but cited to understand the principle or theory underlying the invention
*A* document defining the general state of the art which is not considered to be part of particular relevance	*X*	document of particular relevance; the claimed invention cannot be considered novel or cannot be considered to involve an inventive step when the document is taken alone
*E* earlier document published on or after the international filing date	*Y*	document of particular relevance; the claimed invention cannot be considered to involve an inventive step when the document is combined with one or more other such documents, such combination being obvious to a person skilled in the art
*L* document which may throw doubts on priority claim(s) or which is cited to establish the publication date of another citation or other special reason (as specified)	*Z*	document member of the same patent family
*O* document referring to an oral disclosure, use, exhibition or other means		
*P* document published prior to the international filing date but later than the priority date claimed		

Date of the actual completion of the international search

31 AUGUST 1995

Date of mailing of the international search report

11 OCT 1995

Name and mailing address of the ISA/US  
Commissioner of Patents and Trademarks  
Box PCT  
Washington, D.C. 20231

Facsimile No. (703) 305-3230

Authorized officer

SEEMA RAO *Joni Hill*

Telephone No. (703) 308-5463

INTERNATIONAL SEARCH REPORT

International application No.  
PCT/US95/09652

B. FIELDS SEARCHED

Electronic data bases consulted (Name of data base and where practicable terms used):

APS

search terms: CDMA OR (CODE DIVISION MULTIPLEX ACCESS), INTERFERENCE