



US00D644456S

(12) **United States Design Patent**
Martin

(10) **Patent No.:** **US D644,456 S**

(45) **Date of Patent:** **** Sep. 6, 2011**

(54) **PERSONAL TABLE**

(75) Inventor: **Kirt D. Martin**, Alto, MI (US)

(73) Assignee: **Steelcase Inc.**, Grand Rapids, MI (US)

(**) Term: **14 Years**

(21) Appl. No.: **29/360,526**

(22) Filed: **Apr. 27, 2010**

(51) **LOC (9) Cl.** **06-06**

(52) **U.S. Cl.** **D6/483; D6/485**

(58) **Field of Classification Search** D6/480-489,
D6/429-431, 495-499; 108/150, 153.1,
108/155, 156, 161, 144.11, 146, 147, 147.19,
108/147.21; 248/188, 188.1, 188.7, 188.8
See application file for complete search history.

(56) **References Cited**

U.S. PATENT DOCUMENTS

3,058,793 A	10/1962	Schultz	
3,212,464 A *	10/1965	Steuer	108/159
3,240,170 A	3/1966	Shave	
3,361,088 A	1/1968	Hodgkin	
3,561,376 A	2/1971	Knoblock	
D262,171 S	12/1981	Lustig	
D275,164 S	8/1984	Buck	
D276,767 S	12/1984	Livi	
D282,034 S	1/1986	Janke	
D283,865 S	5/1986	Bergelin	
D289,588 S	5/1987	Winzeler, III	
D290,706 S	7/1987	Peart et al.	
D293,493 S	12/1987	Garr	
D296,284 S	6/1988	Colby	
D299,601 S	1/1989	Campbell	
4,819,568 A	4/1989	Coffrin	
D300,996 S	5/1989	Colby	
D306,243 S	2/1990	Livi	
D307,519 S	5/1990	Wright	

4,938,153 A	7/1990	Maes	
D325,035 S	3/1992	Sparks	
D327,796 S *	7/1992	Ryaa	D6/500
D328,677 S	8/1992	White	
D334,304 S	3/1993	Gilman	
D338,576 S	8/1993	Livi	
D344,076 S	2/1994	Zahabi	
D347,533 S	6/1994	Lambert	
5,358,208 A	10/1994	Moseley, III et al.	
D356,911 S	4/1995	Bubb	
D366,781 S	2/1996	Cartwright	
5,603,267 A	2/1997	Soper	
5,606,917 A	3/1997	Cauffiel	
D406,964 S	3/1999	Lewis	

(Continued)

OTHER PUBLICATIONS

Public showing, NEOCON® World Trade Fair 2008, Jun. 14, 2008, Chicago, IL.

Primary Examiner — Janice Seeger

(74) *Attorney, Agent, or Firm* — Price Heneveld LLP

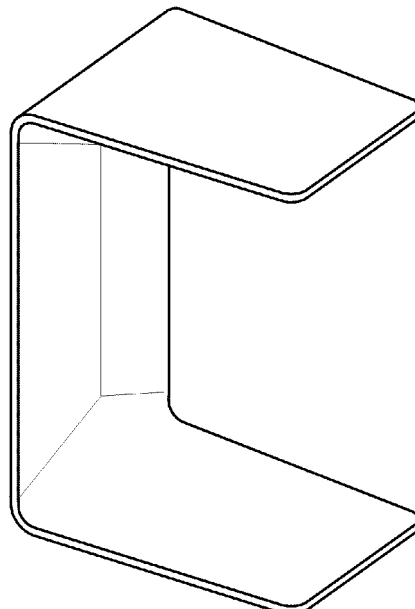
(57) **CLAIM**

I claim the ornamental design for a personal table, as shown.

DESCRIPTION

FIG. 1 is a perspective view showing a front, top and side of a personal table;
FIG. 2 is an elevational view of a side of the personal table, the opposite side being a mirror image thereof;
FIG. 3 is a front elevational view of the personal table;
FIG. 4 is a rear elevational view of the personal table;
FIG. 5 is a top plan view of the personal table, the bottom plan view being a mirror image thereof; and,
FIG. 6 is a cross-sectional top plan view of the personal table, taken along the line VI-VI, FIG. 3.

1 Claim, 2 Drawing Sheets



US D644,456 S

Page 2

U.S. PATENT DOCUMENTS

D409,992 S	5/1999	Mockett	D505,282 S	5/2005	Miyakawa
D411,689 S	6/1999	Papaioannou et al.	D539,569 S	4/2007	Lewis
D427,814 S	7/2000	Black	7,240,623 B2	7/2007	Jarke et al.
6,116,165 A	9/2000	Kadesky	D547,975 S	8/2007	Lighthart
D466,337 S	12/2002	Feng	D559,850 S	1/2008	Lye
D473,072 S	4/2003	Seeley	D564,253 S	3/2008	Daubon
D478,632 S	8/2003	Chen	D573,150 S	7/2008	Sween
D488,006 S	4/2004	Deichmann	D591,090 S	4/2009	Judkins
D503,176 S	3/2005	Wirachowsky	2005/0269477 A1	12/2005	Chen et al.

* cited by examiner

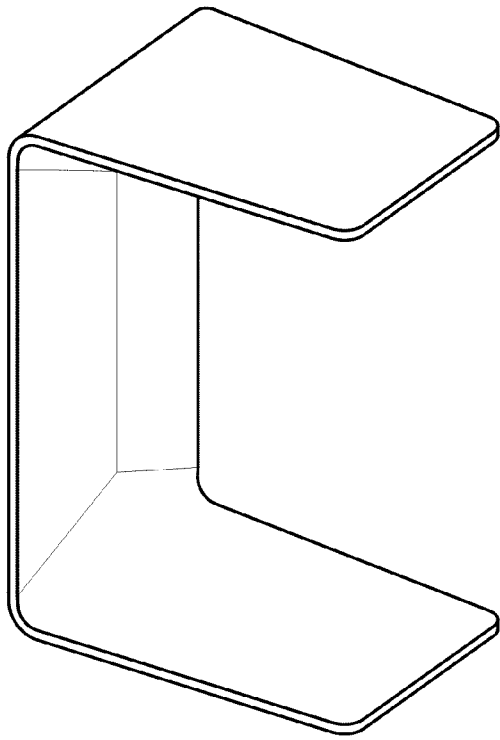


FIG. 1

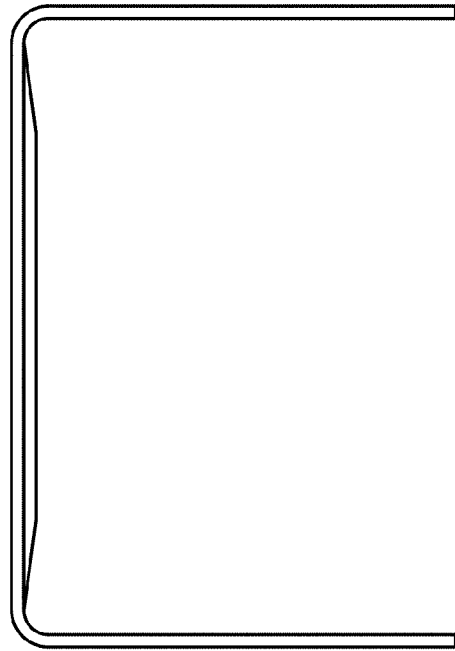


FIG. 2

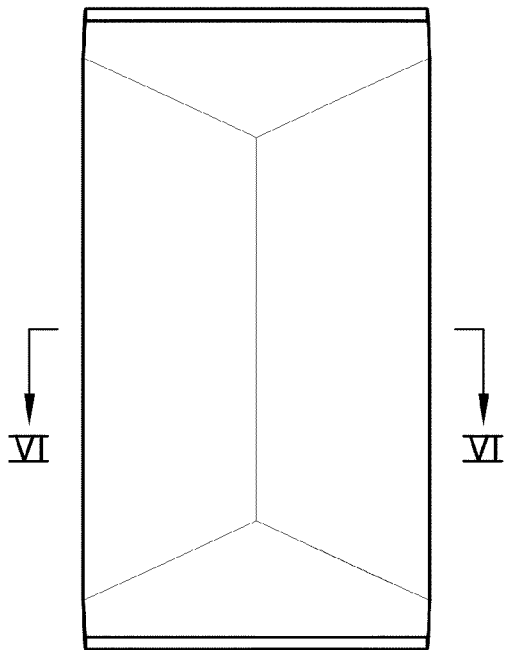


FIG. 3

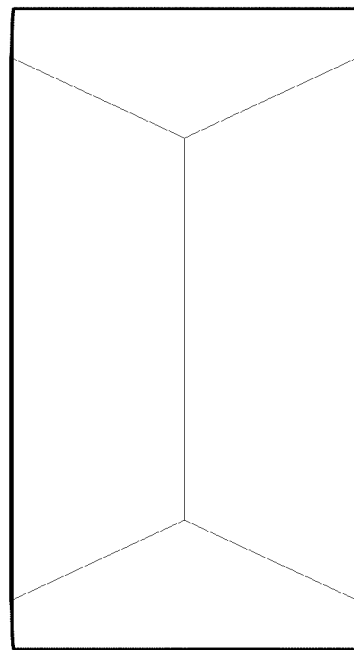


FIG. 4

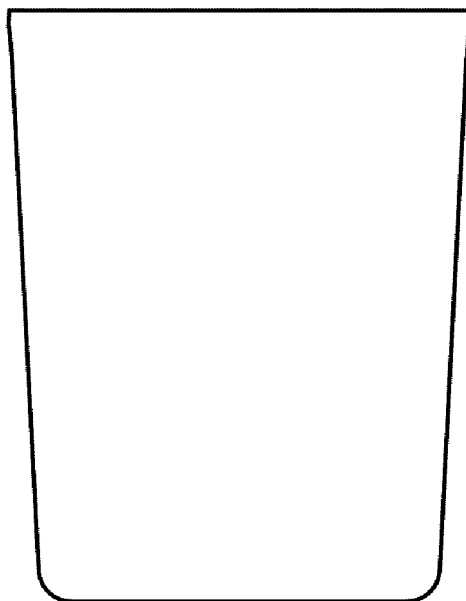


FIG. 5

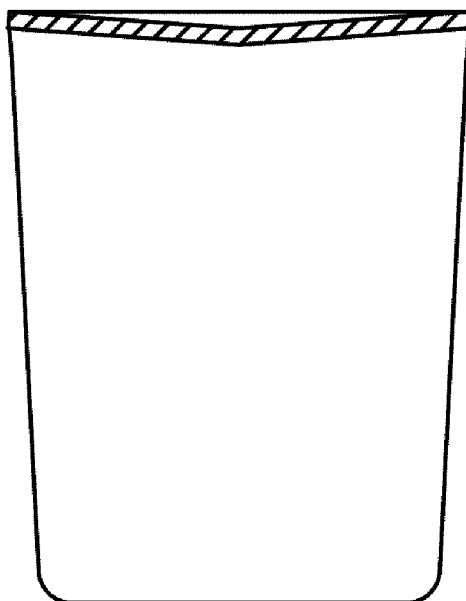


FIG. 6