



US00D892689S

(12) **United States Design Patent** (10) **Patent No.:** **US D892,689 S**
Anton (45) **Date of Patent:** **** Aug. 11, 2020**

(54) **SIDE MIRROR FOR A VEHICLE**
(71) Applicant: **Bayerische Motoren Werke Aktiengesellschaft**, Munich (DE)
(72) Inventor: **Moritz Anton**, Munich (DE)
(73) Assignee: **Bayerische Motoren Werke Aktiengesellschaft**, Munich (DE)

(**) Term: **15 Years**
(21) Appl. No.: **29/669,104**
(22) Filed: **Nov. 6, 2018**

(30) **Foreign Application Priority Data**
May 15, 2018 (DE) 40 2018 100 489
(51) **LOC (12) Cl.** **12-16**
(52) **U.S. Cl.**
USPC **D12/187**
(58) **Field of Classification Search**
USPC D26/1, 24, 25, 43, 60, 110, 113, 28, 37, D26/61, 85, 102, 138-140; 362/249.14, 362/311.02, 311.13
CPC F21S 4/00; F21S 4/10; F21S 4/15; F21S 4/26; F21S 4/005; F21S 4/025; F21S 4/027; F21S 4/04; F21S 2/00; F21V 11/02; F21V 11/06; F21V 17/10; F21V 17/16; F21V 21/0296; F21V 21/0054; F21V 21/008; F21V 21/00; F21V 21/08; F21V 23/00; F21V 23/04; F21V 33/00; F21W 2121/00; F21W 2121/04; F21Y 2115/10; F21L 4/00; F21L 4/02; F21L 4/04; F21L 4/08; F21L 13/00; F21L 13/08
See application file for complete search history.

(56) **References Cited**
U.S. PATENT DOCUMENTS
D409,262 S 5/1999 Stephenson
D432,475 S * 10/2000 Hankinson D12/196
D862,332 S * 10/2019 Woodhouse D12/187
D865,598 S * 11/2019 Grand D12/187
D869,363 S * 12/2019 Bucher D12/187
D873,745 S * 1/2020 Ruiz D12/187

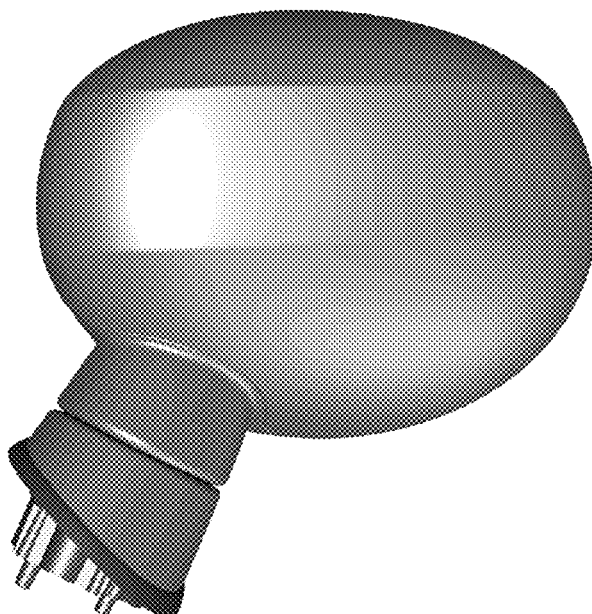
FOREIGN PATENT DOCUMENTS
EM 001023907-0002 12/2008
EM 002374272-0001 3/2014
WO WO DM/083394 10/2014
* cited by examiner

Primary Examiner — Abraham Bahta
(74) *Attorney, Agent, or Firm* — Crowell & Moring LLP

(57) **CLAIM**
The ornamental design for a side mirror for a vehicle, as shown and described.

DESCRIPTION
This application contains subject matter related to the following co-pending U.S. design patent application: Application Ser. No. 29/624,209, filed Oct. 31, 2017 and entitled "Vehicle, Toy, and/or Replicas Thereof."
FIG. 1 is a front view of a side mirror for a vehicle according to the design;
FIG. 2 is a left, front and top perspective view thereof;
FIG. 3 is a right, front and bottom perspective view thereof;
FIG. 4 is a right side view thereof;
FIG. 5 is a rear view thereof;
FIG. 6 is a top view thereof;
FIG. 7 is a bottom view thereof; and,
FIG. 8 is a left side view thereof.

1 Claim, 8 Drawing Sheets



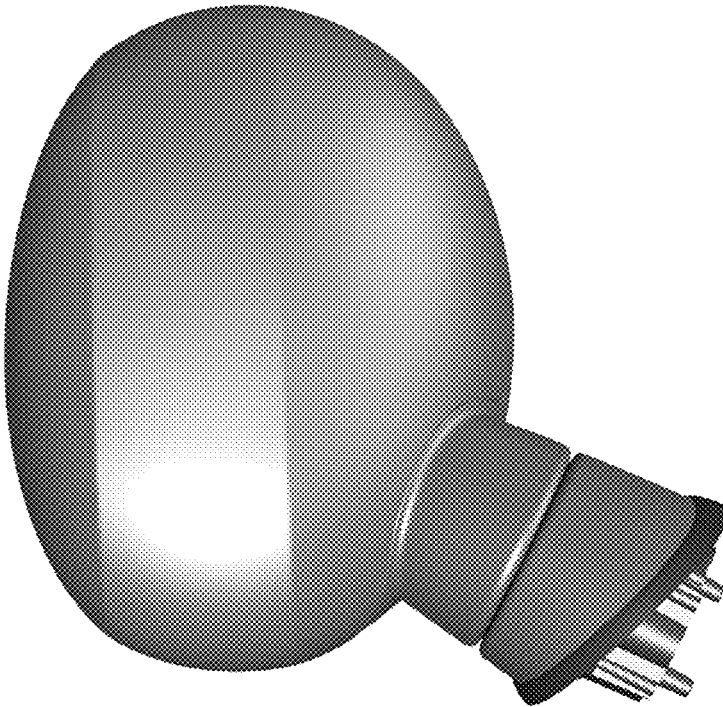


Fig. 1

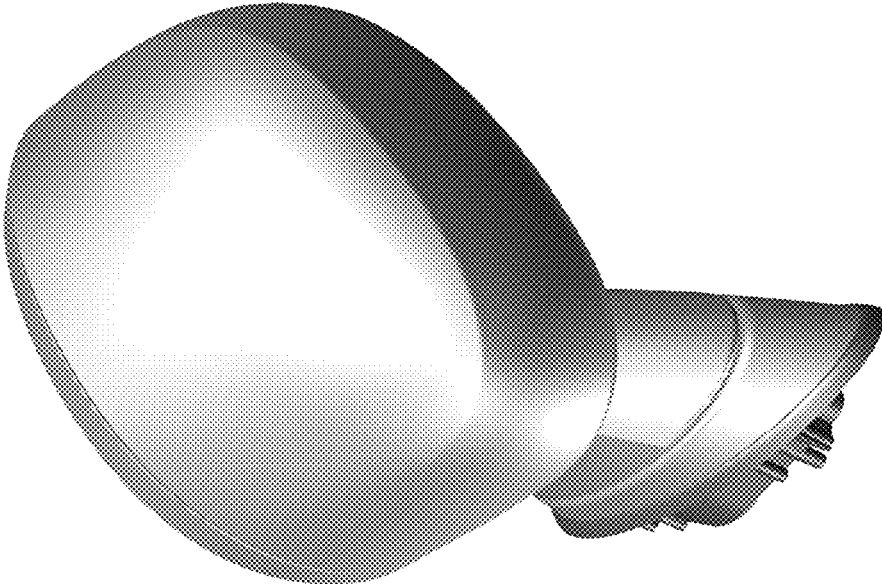


Fig. 2

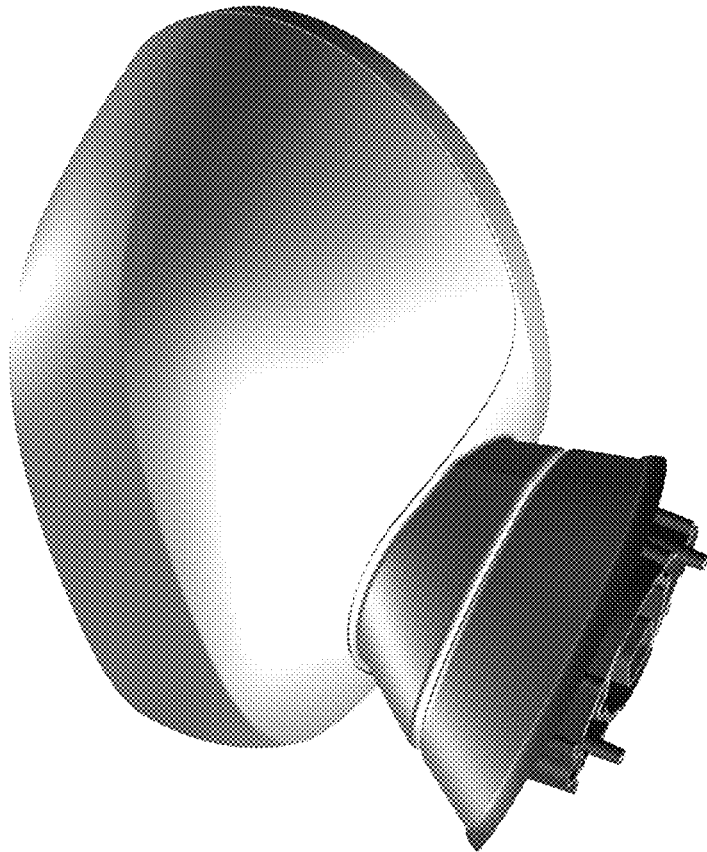


Fig. 3

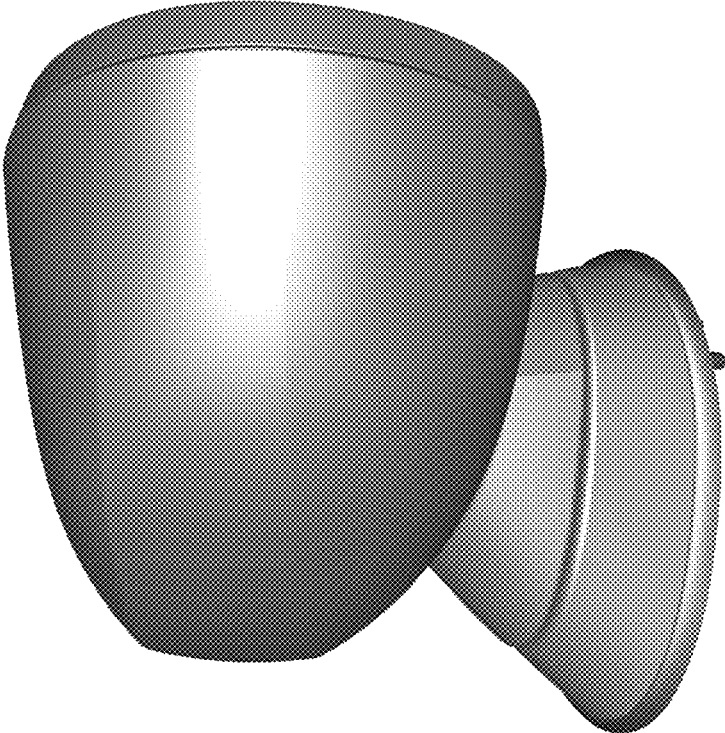


Fig. 4



Fig. 5

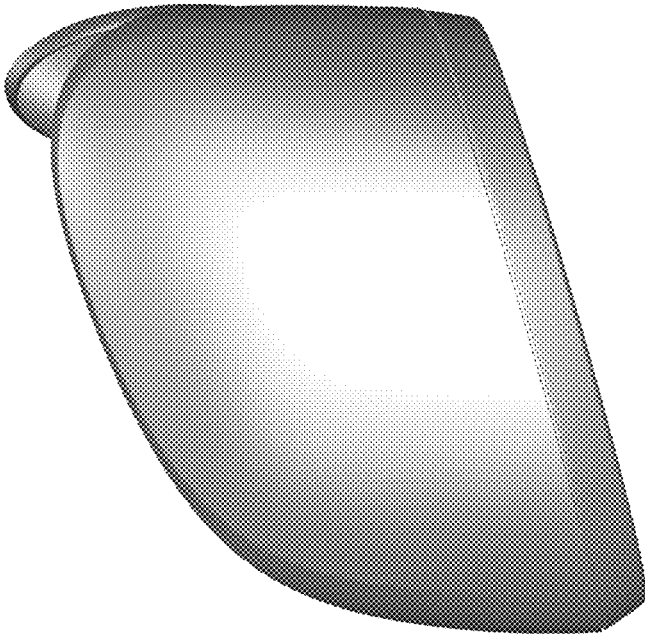


Fig. 6

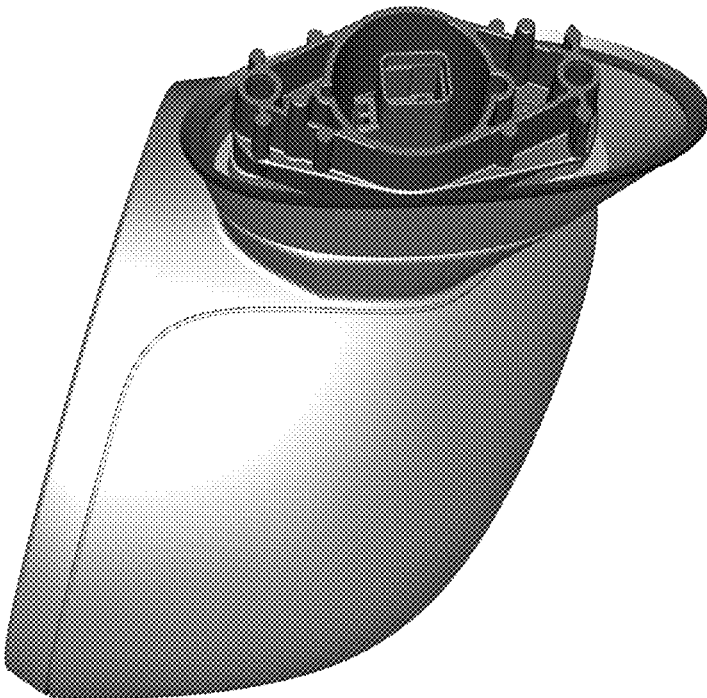


Fig. 7

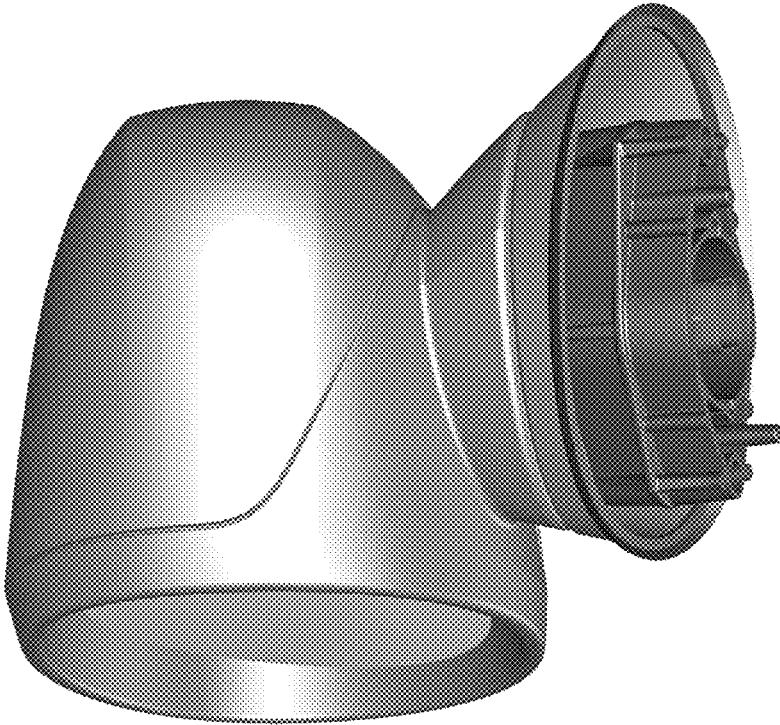


Fig. 8