



US00D537656S

(12) **United States Design Patent**
Stenhouse et al.

(10) **Patent No.:** **US D537,656 S**

(45) **Date of Patent:** **** Mar. 6, 2007**

(54) **STAND FOR SUPPORTING A FLAT PANEL DISPLAY WITH SHELVES**

(75) Inventors: **Brett Stenhouse**, Phoenix, AZ (US);
Zachary Eyman, Phoenix, AZ (US);
Korry Hoglan, Phoenix, AZ (US); **Tom Munday**, Scottsdale, AZ (US)

(73) Assignee: **OmniMount Systems, Inc.**, Phoenix, AZ (US)

(**) Term: **14 Years**

(21) Appl. No.: **29/253,818**

(22) Filed: **Feb. 13, 2006**

(51) **LOC (8) Cl.** **06-04**

(52) **U.S. Cl.** **D6/474**

(58) **Field of Classification Search** D6/460,
D6/461, 468, 474, 477-479; 312/7.2, 9.1;
108/59, 91, 92, 96; 211/40, 41.12, 42, 49.1,
211/50, 85.2, 90.04, 187, 190, 119.003, 134.153,
211/87.01, 71.01

See application file for complete search history.

(56) **References Cited**

U.S. PATENT DOCUMENTS

D367,782 S * 3/1996 Kazama D6/474
D373,914 S * 9/1996 Lechleiter et al. D6/470

6,149,253 A * 11/2000 Talasani 312/7.2
D474,047 S * 5/2003 Lara D6/479
D484,332 S * 12/2003 Niitsu D6/477
D495,163 S * 8/2004 Weatherly D6/479
D507,900 S * 8/2005 Sexton D6/474
D508,171 S * 8/2005 Choo D6/477

* cited by examiner

Primary Examiner—Cathron C. Brooks

(74) *Attorney, Agent, or Firm*—Hogan & Hartson LLP

(57) **CLAIM**

The ornamental design for a stand for supporting a flat panel display with shelves, as shown and described.

DESCRIPTION

FIG. 1 is a top, right isometric view of an embodiment of a stand for supporting a flat panel display with shelves showing our design.

FIG. 2 is a front elevational view thereof.

FIG. 3 is a rear elevational view thereof.

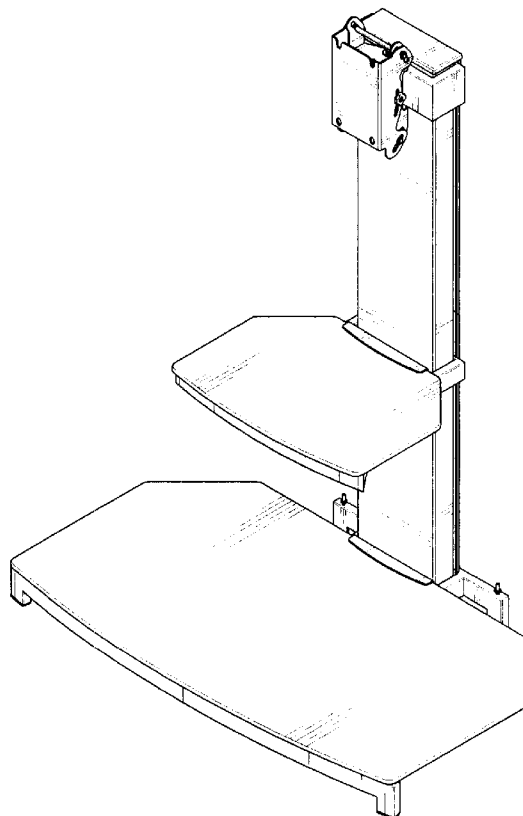
FIG. 4 is a right-side elevational view thereof; the left-side view is a mirror image of FIG. 4.

FIG. 5 is a top plan view thereof; and,

FIG. 6 is a bottom plan view thereof.

Elements identified in broken lines in the accompanying drawings form no part of the claimed invention.

1 Claim, 3 Drawing Sheets



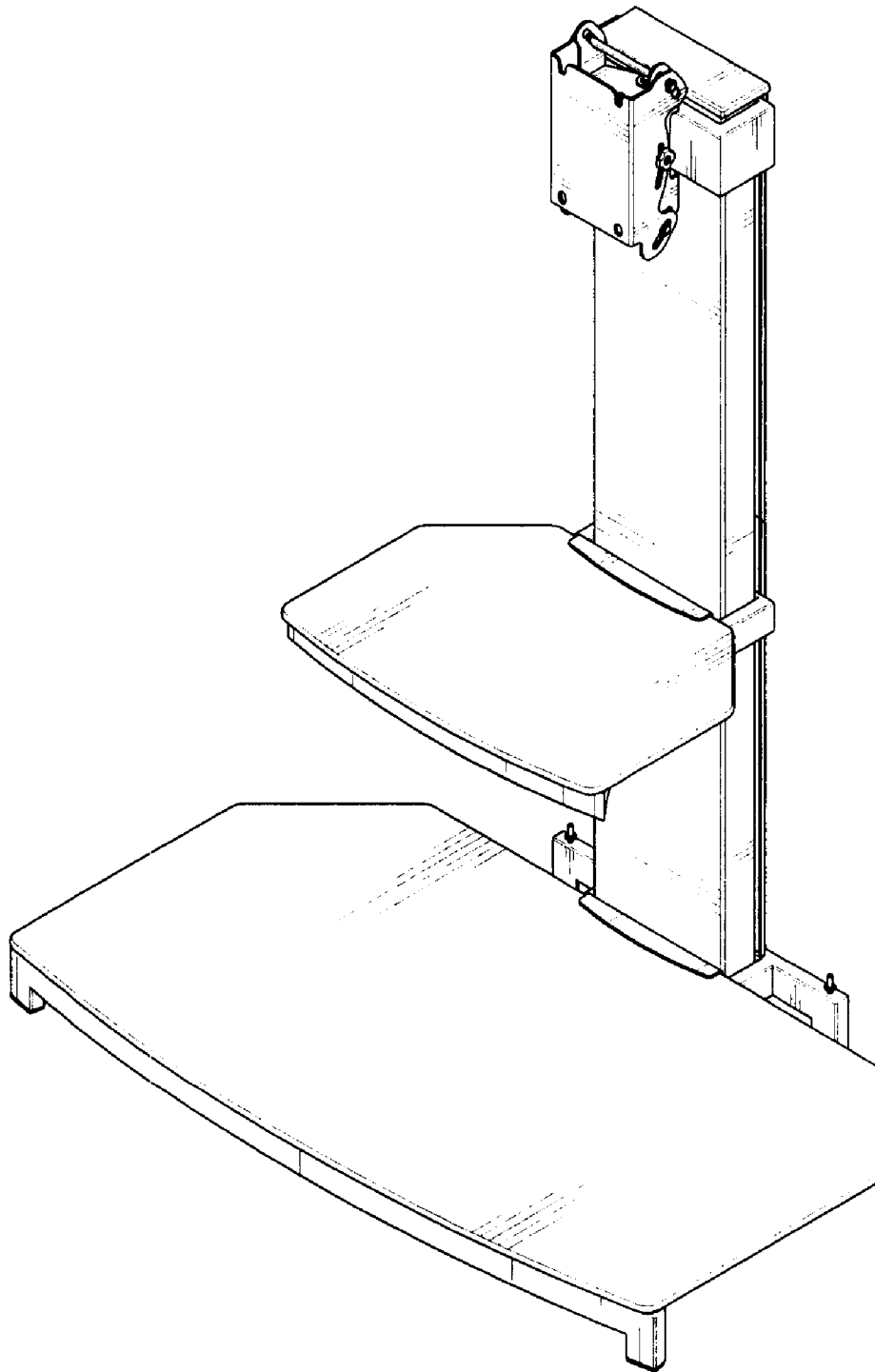


Fig. 1

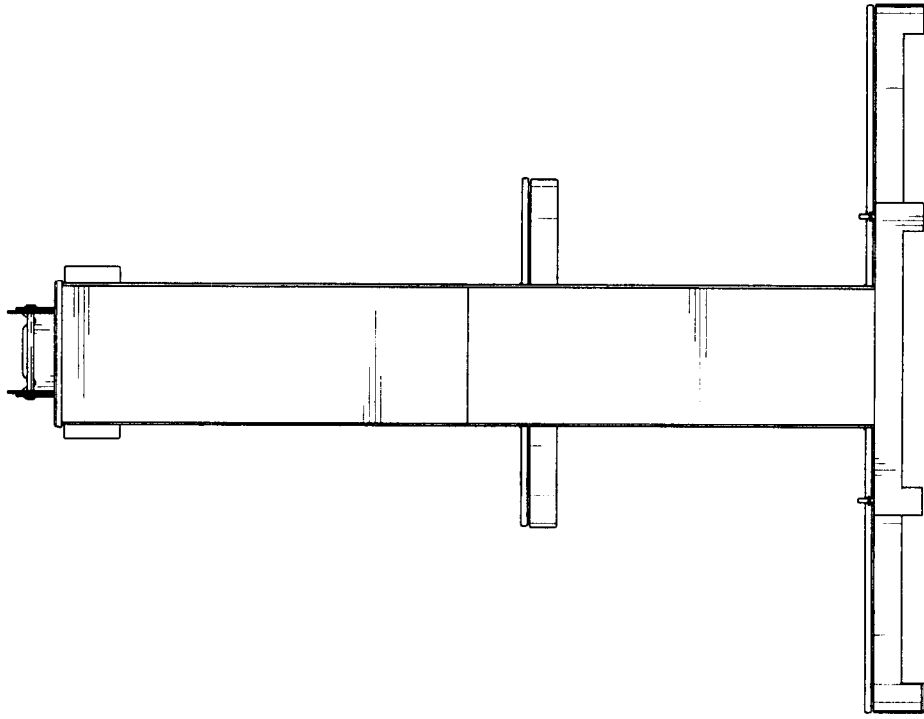


Fig. 3

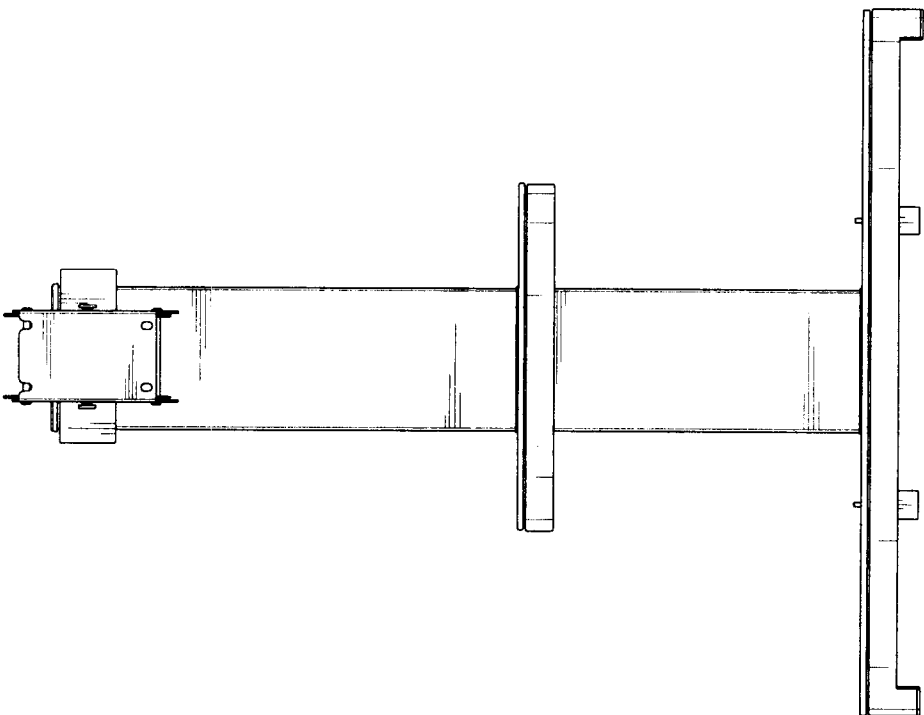


Fig. 2

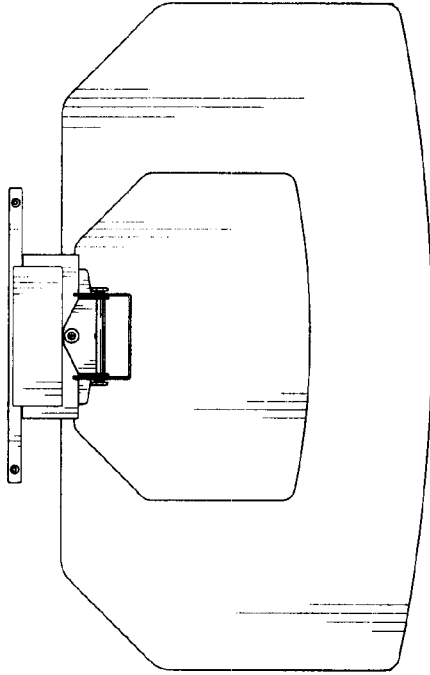


Fig. 5

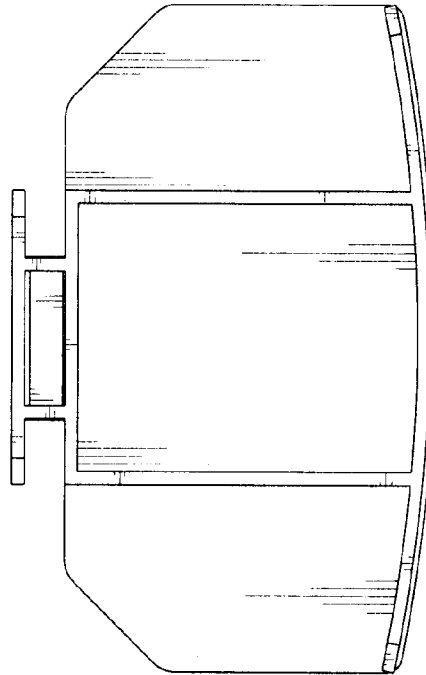


Fig. 6

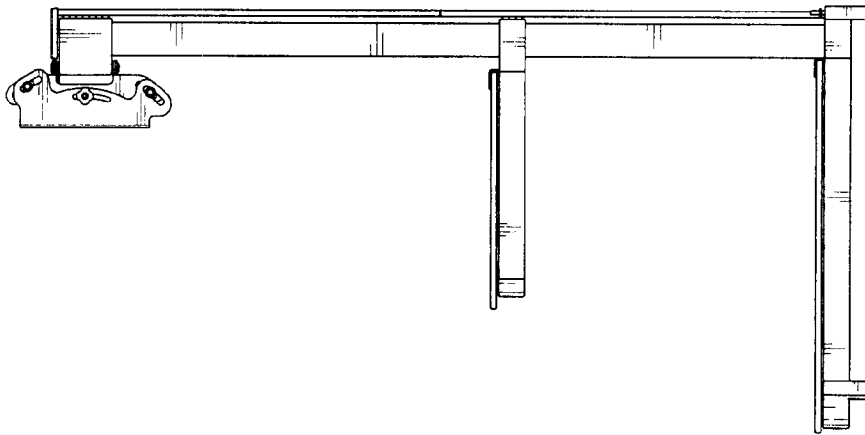


Fig. 4