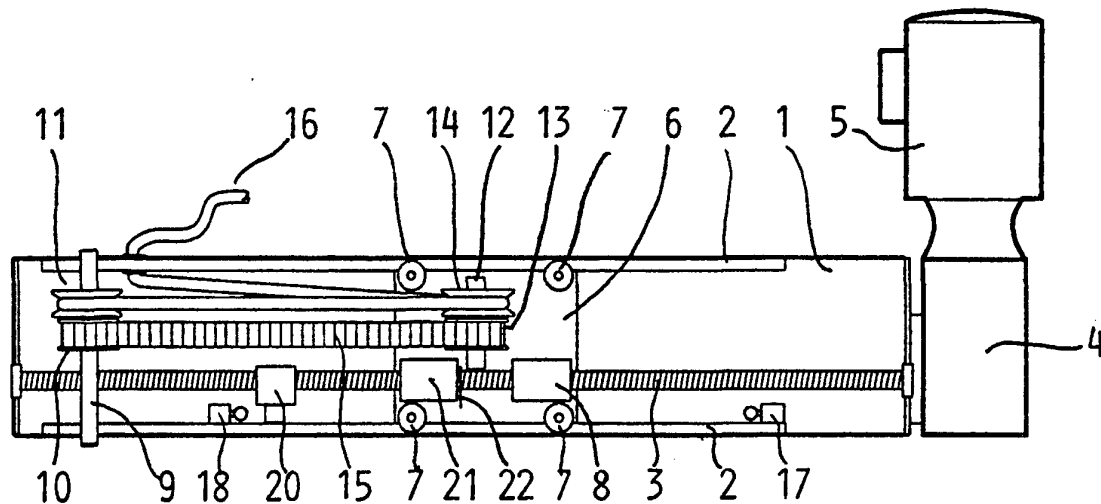


## INTERNATIONAL APPLICATION PUBLISHED UNDER THE PATENT COOPERATION TREATY (PCT)

|  |   |  |
|--|---|--|
| (51) International Patent Classification <sup>5</sup> :<br>F21V 21/36, B66F 19/00  | A1  | (11) International Publication Number: WO 94/16267<br>(43) International Publication Date: 21 July 1994 (21.07.94) |
| (21) International Application Number: PCT/SE94/00004<br>(22) International Filing Date: 4 January 1994 (04.01.94)<br>(30) Priority Data:<br>9300035-4 8 January 1993 (08.01.93) SE<br>(71)(72) Applicant and Inventor: ARNESSON, Per-Olof [SE/SE];<br>Björkhaga-Korsarp, S-563 91 Gränna (SE).<br>(74) Agent: LUNDQUIST, Arne; Pionjärgatan 31, S-582 65<br>Linköping (SE). | (81) Designated States: FI, NO, US, European patent (AT, BE, CH, DE, DK, ES, FR, GB, GR, IE, IT, LU, MC, NL, PT, SE).<br>Published<br>With international search report.<br>In English translation (filed in Swedish). |  |

(54) Title: A LIFTING DEVICE FOR THE CONTROLLED VERTICAL TRANSFER OF OBJECTS



## (57) Abstract

A lifting device for the controlled vertical movement of objects, especially such objects, to which is conveyed an electric current through a line, such as chandeliers, is described. It is especially characterized by the combination of a relatively longitudinal support (1), provided with longitudinal guiding means (2), furthermore a threaded, preferably trapezoidally-threaded driving shaft (3) journaled in the ends of the support (1), which shaft is driven by a motor (5) via a worm gear unit (4), furthermore a carriage (6) guided by said longitudinal guiding means (2) which carriage is movable in the longitudinal direction of the support (1) with a nut (8) fastened to the carriage, cooperating with said driving shaft (3), furthermore a shaft (9) provided perpendicularly in the support (1) carrying a first gear ring (10) and a chain (15) relatively heavy and stable to turning, running over said gear ring (10), the chain (15) being driven by said carriage (6) to change its position in relationship to the support (1) as the position of the carriage (6) is changed in relationship to the support (1) by the driving shaft (3), the chain carrying in a first end said object.

*FOR THE PURPOSES OF INFORMATION ONLY*

Codes used to identify States party to the PCT on the front pages of pamphlets publishing international applications under the PCT.

|    |                          |    |  |    |                          |
|----|--------------------------|----|--|----|--------------------------|
| AT | Austria                  | GB | United Kingdom                           | MR | Mauritania               |
| AU | Australia                | GE | Georgia                                  | MW | Malawi                   |
| BB | Barbados                 | GN | Guinea                                   | NE | Niger                    |
| BE | Belgium                  | GR | Greece                                   | NL | Netherlands              |
| BF | Burkina Faso             | HU | Hungary                                  | NO | Norway                   |
| BG | Bulgaria                 | IE | Ireland                                  | NZ | New Zealand              |
| BJ | Benin                    | IT | Italy                                    | PL | Poland                   |
| BR | Brazil                   | JP | Japan                                    | PT | Portugal                 |
| BY | Belarus                  | KE | Kenya                                    | RO | Romania                  |
| CA | Canada                   | KG | Kyrgyzstan                               | RU | Russian Federation       |
| CF | Central African Republic | KP | Democratic People's Republic<br>of Korea | SD | Sudan                    |
| CG | Congo                    | KR | Republic of Korea                        | SE | Sweden                   |
| CH | Switzerland              | KZ | Kazakhstan                               | SI | Slovenia                 |
| CI | Côte d'Ivoire            | LI | Liechtenstein                            | SK | Slovakia                 |
| CM | Cameroon                 | LU | Luxembourg                               | SN | Senegal                  |
| CN | China                    | LV | Latvia                                   | TD | Chad                     |
| CS | Czechoslovakia           | MC | Monaco                                   | TG | Togo                     |
| CZ | Czech Republic           | MD | Republic of Moldova                      | TJ | Tajikistan               |
| DE | Germany                  | MG | Madagascar                               | TT | Trinidad and Tobago      |
| DK | Denmark                  | ML | Mali                                     | UA | Ukraine                  |
| ES | Spain                    | MN | Mongolia                                 | US | United States of America |
| FI | Finland                  |    |  | UZ | Uzbekistan               |
| FR | France                   |    |  | VN | Viet Nam                 |
| GA | Gabon                    |    |  |    |                          |

**A lifting device for the controlled vertical transfer of objects**

The present invention relates to a lifting device for the controlled vertical movement of objects, especially such objects, to which is conveyed an electric current through a line, such as chandeliers.

In assembly halls, like churches, theatres etc. there is often a need for a vertical movement of objects, well controlled, that is to say so that the objects may be set accurately vertically and so that they are not caused to perform any turning movement during or after the vertical movement. There may be chandeliers, pictures, set-pieces etc. The chandeliers may have electric lights and candles, which are common in churches, which means, that they must be available for replacing electric lights and more often for replacing candles. If there are no suitable lifting devices, and the objects must be made available with the aid of a ladder or the like, there is much work to be done.

Thus there is a need for a simple and reliable lifting device of the art mentioned introductorily, which is constructed in a not too complicated way, and the object of the present invention is to provide such a lifting device.

According to the invention such a device is primarily characterized by the combination of a relatively longitudinal support, provided with longitudinal guiding means, furthermore a threaded, preferably trapezoidally-threaded shaft, journaled in the ends of the support, which shaft is driven by a motor via a worm gear unit, furthermore a carriage, guided by said longitudinal guiding means, which carriage is movable in the longitudinal direction of the support, with a nut, fastened to the carriage, cooperating with said driving shaft, furthermore a shaft provided perpendicularly in the support, carrying a 1:st gear ring, and a chain, relatively heavy and stable to turning, running over said gear ring, the chain being driven by said carriage to change its position in relationship to the support as the position of the carriage is changed in relationship to the support by the driving shaft, the chain carrying in a 1:st end said object.

Different embodiments are possible within the scope of the invention. The driving shaft may be driven in any of the ends of the support. The support is intended to be mounted primarily horizontally or substantially horizontally in an attic or on attic beams, so that the chain can run downwardly via said gear ring through an opening in the roof, in which a chandelier or other object is hanging.

In one advantageous embodiment of the invention, the lifting device is arranged in such a way, that said shaft, provided perpendicularly in the support, also carries a 1:st pulley, over which there is an electric wire running, the same also being driven by said carriage to change its position in relationship to the support (1) as the position of the carriage in relationship to the support (1) is changed by the driving shaft (3), the end of the wire (16) being connected in a 1:st end to said object. The other end of the wire is connected, possibly via a connecting means, to the electric mains.

Per se, the chain may be fixed directly to the carriage, which also is true for the other end of the wire, if any, which in that case had to be connected to a movable wire, which in turn had to be connected to the electric mains. More available possible vertical movement length is gained, however, at a given length of the support, if the chain, and the electric wire, if any, are fixed to the support, preferably in the vicinity of said shaft, provided perpendicularly in the support, and the carriage is provided with a perpendicular shaft, which carries a 2:nd gear ring with a 2:nd pulley over which the chain resp. the wire are running before the contact with said 1:st gear ring and 1:st pulley.

The lifting device according to the invention may, in an advantageous embodiment be provided with a limit switch, which increases the safety in utilizing the lifting device and furthermore facilitates the vertical setting at a certain height of the actual object. Per se the limit switches may be arranged themselves to be movable along the support, at each side of the carriage, but in one suitable embodiment of the lifting device according to the invention, a 1:st limit switch for the electric voltage to said electric motor is provided in the support at its end, turned from the perpendicular shaft, the 1:st limit switch being acted upon by said carriage, whilst the 2:nd limit switch is provided in the support in the vicinity of the perpendicular shaft, the 2:nd limit switch being acted upon by a position indicator, provided with a nut means, embracing said driving shaft, guided in the longitudinal direction of the support by guiding means, possibly said guiding means.

The carriage may be guided in different ways in the support by said guiding means, and it is suitable to provide it with steering wheels, cooperating with guiding means provided in the support, in the form of guiding bars on the raised walls of a U- beam.

The invention shall be described in the following, reference being made to the two enclosed figures, of which

figure 1 schematically shows a plan view of a lifting device according to the invention, whilst

figure 2 schematically shows a view from the side, partly as a section, of same lifting device, that is shown in figure 1.

In figure 1 a longitudinal support in the form of a U- beam is denoted by 1, and on the walls of the U- beam at the inside, there are guiding bars 2, as guiding means. In the ends of the support, there is journaled a trapezoidally threaded driving shaft 3, driven via a gear worm 4 by an electric motor 5. In the support 1 there runs a carriage 6, provided with four steering wheels 7, which are guided by the guiding bars 2. A nut 8 is fixed to the carriage 6, embracing the driving shaft 3, which is made from steel, whilst the nut is made from bronze. In the support, in the vicinity of its end there is provided a perpendicular shaft 9 in the support, carrying a 1:st gear ring 10 and a 1:st pulley 11. In the carriage a second shaft 12 is arranged perpendicularly, carrying a 2:nd gear ring 13 and a 2:nd pulley 14. A relatively heavy chain 15, stable to turning is fastened to the bottom of the support, in the vicinity to said perpendicular shaft, provided in the support. The chain runs over the 2:nd gear ring, turns over and runs over the 1:st gear ring and thereby changes direction  $90^\circ$  if the support is mounted horizontally, and carries in its free end the actual object, which is best shown in figure 2. An electric wire 16 is fixed to the support, longitudinally seen at level with the fixing point of the chain in the support, then runs up over the 2:nd pulley and further to the 1:st pulley, then changes direction  $90^\circ$  and goes down to the object, where the end of the wire is connected to a light source or other current consumer.

When the driving shaft 3 is brought to rotate in the desired direction by the electric motor 5, via a worm gear 4, which may have a exchange gear reduction of 14:1, the carriage 6 is moved in the desired direction, running smoothly, and the chain 15 resp the wire 16 are extended or reduced a desired stretch. A 1:st limit switch 17 is fixed to the support on the side of the carriage 6, turned to the electric motor 5, and a 2:nd limit switch 18 is fixed to the support on the other side of the carriage. A position indicator, formed like a nut 19 embraces the the driving shaft and is moved with this at the same rate as the carriage 6, as it is prevented from rotating by a tap 20, guided by the guiding bar 2. The nut 19 is suitably formed so that it can be opened, so that it can be moved along the driving shaft 3 to a desired breaking position. An extra nut 21 runs freely on the driving shaft 3 at the carriage 6. In these there is a stop 22. If the fixed nut would break, the forced movement of the carriage 6 is stopped by the nut 21 and the stop 22.

## Patent Claims

1. A lifting device for the controlled vertical movement of objects, especially such objects, to which is conveyed an electric current through a line, such as chandeliers, characterized by the combination of
  - a) a relatively longitudinal support (1), provided with longitudinal guiding means (2),
  - b) a threaded, preferably trapezoidally-threaded driving shaft (3) journaled in the ends of the support (1) which shaft is driven by a motor (5) via a worm gear unit (4),
  - c) a carriage (6) guided by said longitudinal guiding means (2) which carriage is movable in the longitudinal direction of the support (1) with a nut (8) fastened to the carriage, cooperating with said driving shaft (3)
  - d) a shaft (9) provided perpendicularly in the support (1) carrying a 1:st gear ring (10) and a chain (15) relatively heavy and stable to turning, running over said gear ring (10), the chain (15) being driven by said carriage (6) to change its position in relationship to the support (1) as the position of the carriage (6) is changed in relationship to the support (1) by the driving shaft (3), the chain carrying in a 1:st end said object.
  
2. A lifting device according to claim 1, characterized in that said shaft (9), provided perpendicularly in the support (1) also carries a 1:st pulley over which there is an electric wire (16) running, the same also being driven by said carriage (6) to change its position in relationship to the support (1) as the position of the carriage in relationship to the support (1) is changed by the driving shaft (3), the end of the wire (16) being connected in a 1:st end to said object.
  
3. A lifting device according to claim 2, characterized in that the chain (15) and the wire (16) are fixed to the support (1), preferably near said shaft (9), provided perpendicularly to the support (1) and that the carriage (6) is provided with a perpendicular shaft (12), which carries a 2:nd gear ring (13) with a 2:nd pulley over which the chain (15) resp. the wire (16) are provided to run before the contact with said 1:st gear ring (10) and the 1:st pulley (11).
  
4. A lifting device according to any of claims 1 to 3, characterized by a 1:st limit switch (17) for the electric voltage to the electric motor (5), provided in the support (1) in its end turned from the shaft (9), provided perpendicularly, the 1:st limit switch being acted upon by said carriage (6), and a 2:nd limit switch provided in the support (1) in the vicinity of the shaft (9), provided perpendicularly, the 2:nd limit switch (18) being acted upon by a position indicator (19), provided with a nut means (19), embracing said driving shaft (3)

guided in the longitudinal direction of the support by guiding means, possibly said guiding means (2).

5. A lifting device according to any of claims 1 to 4, characterized in that said carriage (6) is provided with steering wheel (7), cooperating with guiding means in the support (1) in their form of guiding bars (2) on the raised walls of a U-beam.

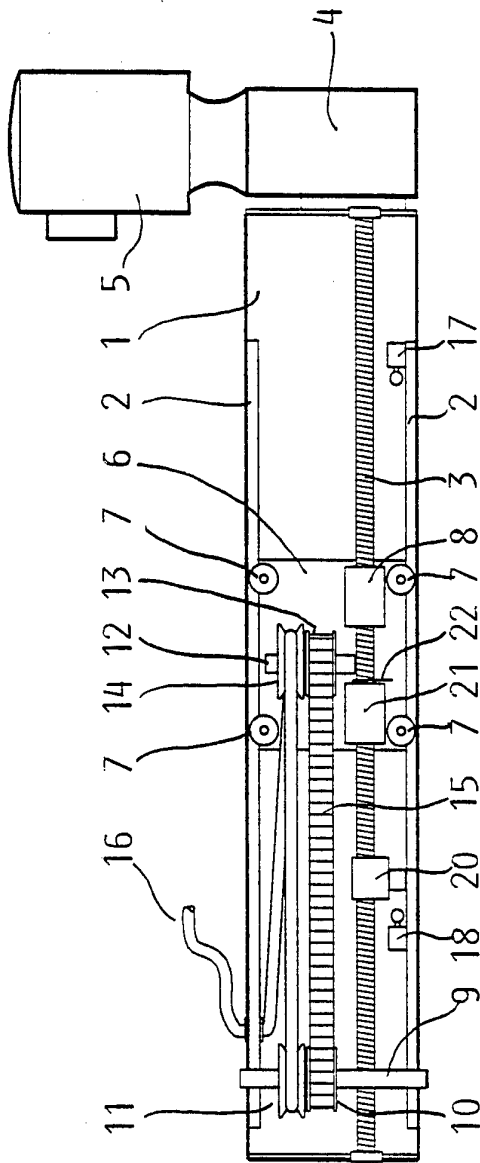


FIG. 1

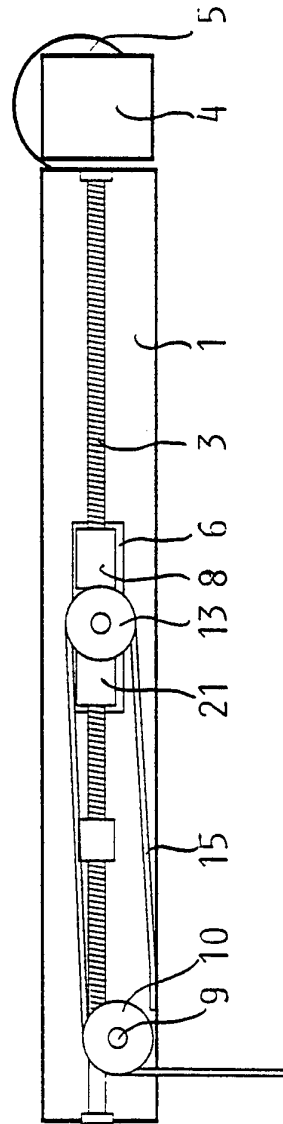


FIG. 2

## INTERNATIONAL SEARCH REPORT

International application No.

PCT/SE 94/00004

| A. CLASSIFICATION OF SUBJECT MATTER   |  |  |
|---|--|--|
| IPC5: F21V 21/36, B66F 19/00<br>According to International Patent Classification (IPC) or to both national classification and IPC   |  |  |
| B. FIELDS SEARCHED  |  |  |
| Minimum documentation searched (classification system followed by classification symbols)   |  |  |
| IPC5: B66F, F21V  |  |  |
| Documentation searched other than minimum documentation to the extent that such documents are included in the fields searched   |  |  |
| SE,DK,FI,NO classes as above  |  |  |
| Electronic data base consulted during the international search (name of data base and, where practicable, search terms used)  |  |  |
| C. DOCUMENTS CONSIDERED TO BE RELEVANT  |  |  |
| Category*   | Citation of document, with indication, where appropriate, of the relevant passages                       | Relevant to claim No.  |
| A   | EP, A2, 0493297 (GARCIA, E.R ET AL), 1 July 1992<br>(01.07.92), the whole document<br><br>--             |  |
| A   | US, A, 5105349 (J.W. FALLS ET AL), 14 April 1992<br>(14.04.92), the whole document<br><br>--             |  |
| A   | DE, A1, 3913321 (VIEBRANTZ, H.-J.),<br>2 November 1989 (02.11.89), the whole document<br><br>--<br>----- |  |
| <input type="checkbox"/> Further documents are listed in the continuation of Box C. <input checked="" type="checkbox"/> See patent family annex.  |  |  |
| * Special categories of cited documents:<br>"A" document defining the general state of the art which is not considered to be of particular relevance<br>"E" earlier document but published on or after the international filing date<br>"L" document which may throw doubts on priority claim(s) or which is cited to establish the publication date of another citation or other special reason (as specified)<br>"O" document referring to an oral disclosure, use, exhibition or other means<br>"P" document published prior to the international filing date but later than the priority date claimed<br>"T" later document published after the international filing date or priority date and not in conflict with the application but cited to understand the principle or theory underlying the invention<br>"X" document of particular relevance: the claimed invention cannot be considered novel or cannot be considered to involve an inventive step when the document is taken alone<br>"Y" document of particular relevance: the claimed invention cannot be considered to involve an inventive step when the document is combined with one or more other such documents, such combination being obvious to a person skilled in the art<br>"&" document member of the same patent family |  |  |
| Date of the actual completion of the international search   |  | Date of mailing of the international search report                       |
| 15 April 1994   |  | 19 -04- 1994   |
| Name and mailing address of the ISA/<br>Swedish Patent Office<br>Box 5055, S-102 42 STOCKHOLM<br>Facsimile No. +46 8 666 02 86  |  | Authorized officer<br><br>Mariana Eddin<br>Telephone No. +46 8 782 25 00 |

**INTERNATIONAL SEARCH REPORT**  
Information on patent family members

26/02/94

International application No.  
PCT/SE 94/00004

| Patent document cited in search report | Publication date | Patent family member(s) | Publication date |
|--|------------------|-------------------------|------------------|
| EP-A2- 0493297                         | 01/07/92         | NONE                    |                  |
| US-A- 5105349                          | 14/04/92         | NONE                    |                  |
| DE-A1- 3913321                         | 02/11/89         | NONE                    |                  |