



US00D815682S

(12) **United States Design Patent**
Trifilio et al.

(10) **Patent No.:** **US D815,682 S**

(45) **Date of Patent:** **** Apr. 17, 2018**

(54) **GUITAR EFFECTS PEDALBOARD**

D554,647 S * 11/2007 Chan D14/447
7,293,751 B2 * 11/2007 Eriksson A47B 23/002
108/43

(71) Applicant: **Chemistry Design Werks LLC**, St. Paul, MN (US)

D594,564 S 6/2009 Disch et al.
D637,600 S * 5/2011 Leyva-Menendez D14/447
(Continued)

(72) Inventors: **Christian Richard Trifilio**, St. Paul, MN (US); **Ryne Anderson**, Afton, MN (US)

OTHER PUBLICATIONS

(73) Assignee: **Chemistry Design Werks LLC**, St. Paul, MN (US)

Walmart, Allsop Large Metal Monitor Stand, customer review on Oct. 23, 2011, [online], [site visited on Jan. 9, 2018]. Available from Internet, <URL: <https://www.walmart.com/ip/Allsop-Large-Metal-Monitor-Stand/16609086>> (Year: 2011).*

(**) Term: **15 Years**

(Continued)

(21) Appl. No.: **29/578,865**

Primary Examiner — Sheryl Lane

(22) Filed: **Sep. 26, 2016**

Assistant Examiner — Samantha N Wood

(51) **LOC (11) Cl.** **17-03**

(74) *Attorney, Agent, or Firm* — Grumbles Law PLLC; Brittany Nanzig

(52) **U.S. Cl.**

(57) **CLAIM**

USPC **D17/20**

The ornamental design for a guitar effects pedalboard, as shown and described.

(58) **Field of Classification Search**

DESCRIPTION

USPC D17/1, 2, 4, 5, 7-9, 13, 14, 20, 21, 24, D17/99; D19/99-101, 150, 192; D6/329, D6/512-514, 641, 650, 707, 702; D7/550.1, 554.2, 554.3; D10/103; D14/299, 328, 432, 447; D23/393; D21/405, 406, 408, 409, 586
CPC G10H 2220/071; G10H 2220/076; G10H 2220/165; G10H 2220/221; G10H 2220/30; G10H 2220/485; G10H 3/186; G10H 2210/231; G10D 13/023; G10D 13/027; G10D 13/006; G10D 3/006
See application file for complete search history.

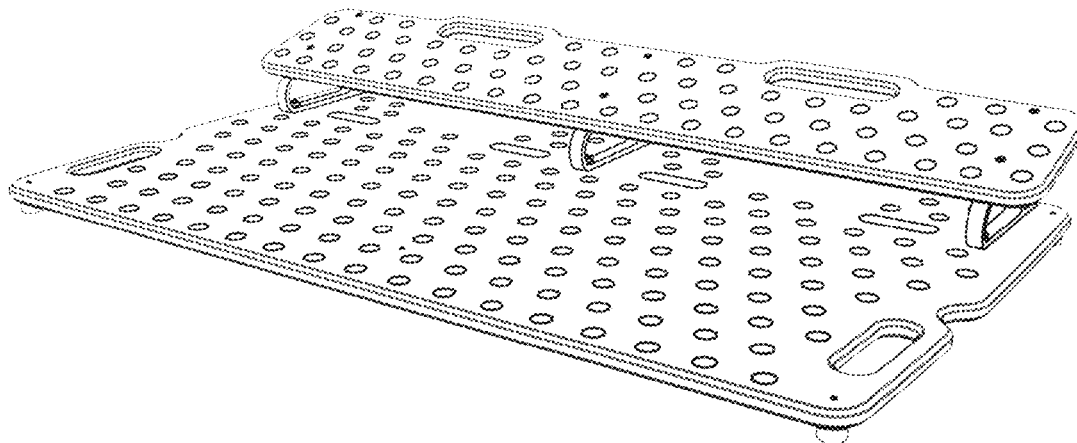
FIG. 1 is a right side elevational view of a guitar effects pedalboard showing our new design.
FIG. 2 is a front elevational view of the guitar effects pedalboard.
FIG. 3 is a top plan view of the guitar effects pedalboard.
FIG. 4 is a left side elevational view of the guitar effects pedalboard.
FIG. 5 is a back elevational view of the guitar effects pedalboard.
FIG. 6 is a bottom plan view of the guitar effects pedalboard.
FIG. 7 is a front right side perspective view of the guitar effects pedalboard; and,
FIG. 8 is a back left side perspective view of the guitar effects pedalboard.

(56) **References Cited**

U.S. PATENT DOCUMENTS

D311,458 S 10/1990 La Croix
D354,636 S * 1/1995 Cable D19/113
6,459,023 B1 10/2002 Chandler
6,538,185 B1 3/2003 Stratton
D493,256 S * 7/2004 Kim D24/230

1 Claim, 3 Drawing Sheets



(56)

References Cited

U.S. PATENT DOCUMENTS

D689,741	S	*	9/2013	Wang	D7/554.3
D690,708	S		10/2013	Smith et al.		
D745,923	S		12/2015	Trifilio		
D745,924	S		12/2015	Trifilio		
D769,364	S		10/2016	Trifilio		
2003/0230220	A1		12/2003	Evans et al.		
2004/0250673	A1		12/2004	Salerno		
2006/0120550	A1		6/2006	McCann		
2007/0295190	A1		12/2007	Collins		
2011/0271821	A1		11/2011	McKinney et al.		

OTHER PUBLICATIONS

Best Guitar Effects, Chemistry Design Werks Holeyboard WIDE Review, comment on Aug. 22, 2013, [online], [site visited on Jan. 10, 2018]. Available from Internet, <URL: <http://www.bestguitareffects.com/chemistry-design-werks-holeyboard-wide-review-best-guitar-pedalboard/>> (Year: 2013).*

GideonD's, Little Holey Vegeance Pedal Board, posted on Jun. 12, 2012, [online], [site visited on Jan. 10, 2018]. Available from Internet, <URL: <https://gideon.wordpress.com/2012/06/12/little-holey-vengeance-pedal-board-followup-1/>> (Year: 2012).*

"My New Pedalboard," Posted at musiciansroadhouse.com, earliest date available Dec. 1, 2015, [online], acquired on Jul. 1, 2016. Available from Internet, <URL: <http://musiciansroadhouse.com/viewtopic.php?t=4562&start=300>>.

"Chemistry Design Werks Holeyboard WIDE Review—Best Guitar Pedalboard?," posted at bestguitareffects.com, earliest date available Aug. 23, 2013, [online], acquired on Jul. 1, 2016. Available

from Internet, <URL: <http://www.bestguitareffects.com/chemistry-design-werks-holeyboard-wide-review-best-guitar-pedalboard/>>. Pedaltrain; Pedal Boards—Pedaltrain; Website; Jul. 27, 2014; <http://www.pedaltrain.com/pedalboards>.

Trailer Trash Pedalboards; Trailer Trash Pedal Boards: Custom Pedalboards; Website; Feb. 7, 2005; <http://trailertrashpedalboards.com>.

Rogue Guitar Shop; Pedalboards—Rogue Guitar Shop; Website; Oct. 10, 2014; <http://www.rogueguitarshop.com/collections/pedalboards>.

Gator Cases, INC.; Pedal Boards and Stands; Website; Mar. 3, 2012; <http://www.gatorcases.com/c/16108/pedal-boards-and-stands>.

Blackbird; Blackbird Custom Pedalboards; Website; May 19, 2013; <http://blackbirdpedalboards.com>.

FIX Pedal Boards; Welcome to FIX Pedalboards; Website; Apr. 21, 2013; <http://blackbirdpedalboards.com>.

MKS Professional Stage Products, Inc; Pedal Pad Get Serious; Website; Apr. 29, 2013; <http://www.pedalpad.com>.

Phantom Pedalboards; Phantom Pedalboards; Website; Apr. 1, 2015; <http://www.phantompedalboards.com/boards/index>.

SKB Corporation; Guitar Products; Website; Jun. 3, 2014; <https://www.skbcases.com/music/products/prodlist.php?c=85&s=75>.

Renovo AMP Works; Stombox Modular Pedalboards; Website; Jan. 22, 2015; <http://www.stompbox.com>.

Diago; Diago Hardcase Pedalboards; Website; Apr. 23, 2012; <http://www.diago.co.uk/pedalboards/diago-pedalboards.html>.

LYT Pedalboards; LYT Pedalboards; Website; Jan. 1, 2012; <http://www.lytpedalboards.com>.

Llevinac SL; Adam Guitars; Website; 2015; <https://www.aclamguitars.cat/shop/en/pedalboards/>.

Prosecution History from U.S. Appl. No. 15/231,314, dated Aug. 8, 2016 through Nov. 2, 2016, 82 pp.

* cited by examiner

FIG. 1

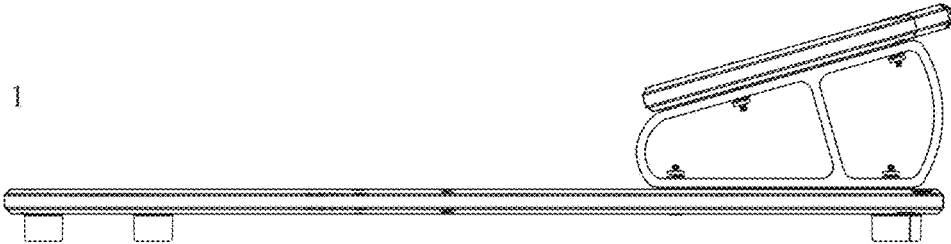


FIG. 2

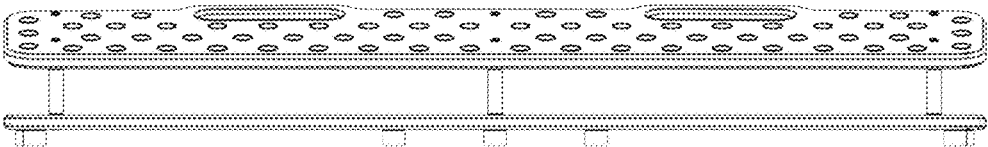


FIG. 3

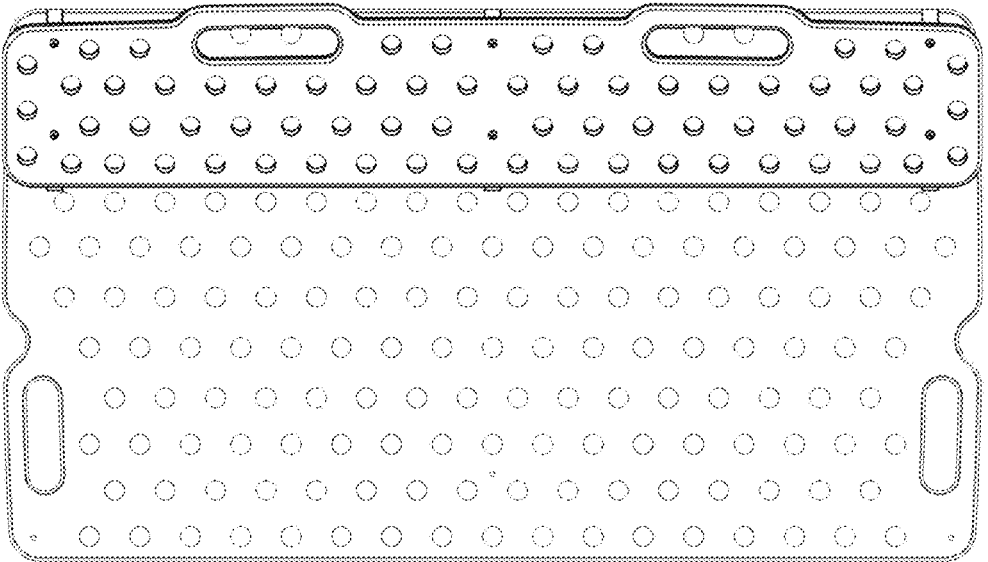


FIG. 4



FIG. 5

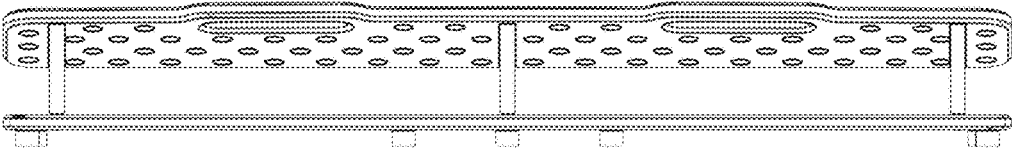


FIG. 6

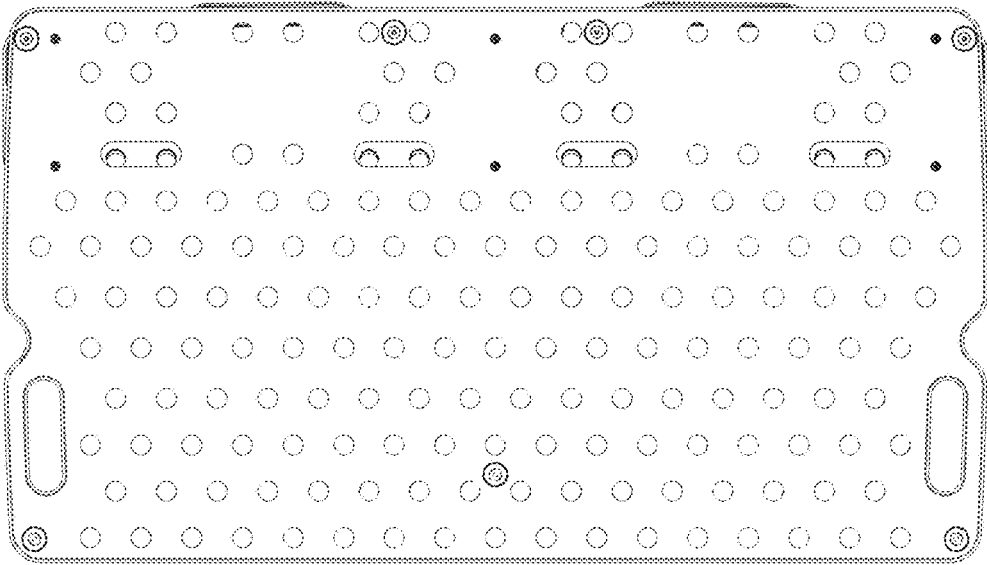


FIG. 7

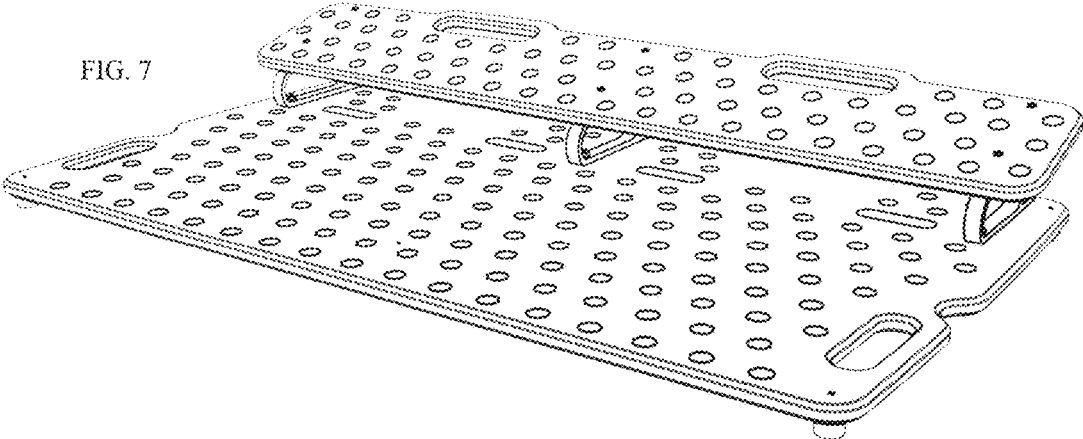


FIG. 8

