



US00D461080S

(12) **United States Design Patent** (10) **Patent No.:** **US D461,080 S**
Bartholomew et al. (45) **Date of Patent:** **** Aug. 6, 2002**

(54) **COSMETIC DISPENSER**

(75) Inventors: **Julie R. Bartholomew**, Birmingham;
Charles P. Hines, Jr., Hamburg, both
of MI (US)

(73) Assignee: **IMX Labs, Inc.**, Birmingham, MI (US)

(**) Term: **14 Years**

(21) Appl. No.: **29/142,822**

(22) Filed: **Jun. 1, 2001**

(51) **LOC (7) Cl.** **20-02**

(52) **U.S. Cl.** **D6/515**

(58) **Field of Search** D6/515, 517, 542,
D6/544; D28/76, 99; 206/822; 221/45,
282-284; 222/105, 173, 181.1

(56) **References Cited**

U.S. PATENT DOCUMENTS

D306,808 S * 3/1990 Thomas D6/515

D322,542 S * 12/1991 Fontlladosa D6/515 X
D393,150 S * 4/1998 Swanston et al. D6/515
D437,151 S * 2/2001 Gerstmar D6/515 X
D442,405 S * 5/2001 Gerstmar D6/515

* cited by examiner

Primary Examiner—Brian N. Vinson

(74) *Attorney, Agent, or Firm*—Dobrusin & Thennisch PC

(57) **CLAIM**

The ornamental design for a cosmetic dispenser, as shown and described.

DESCRIPTION

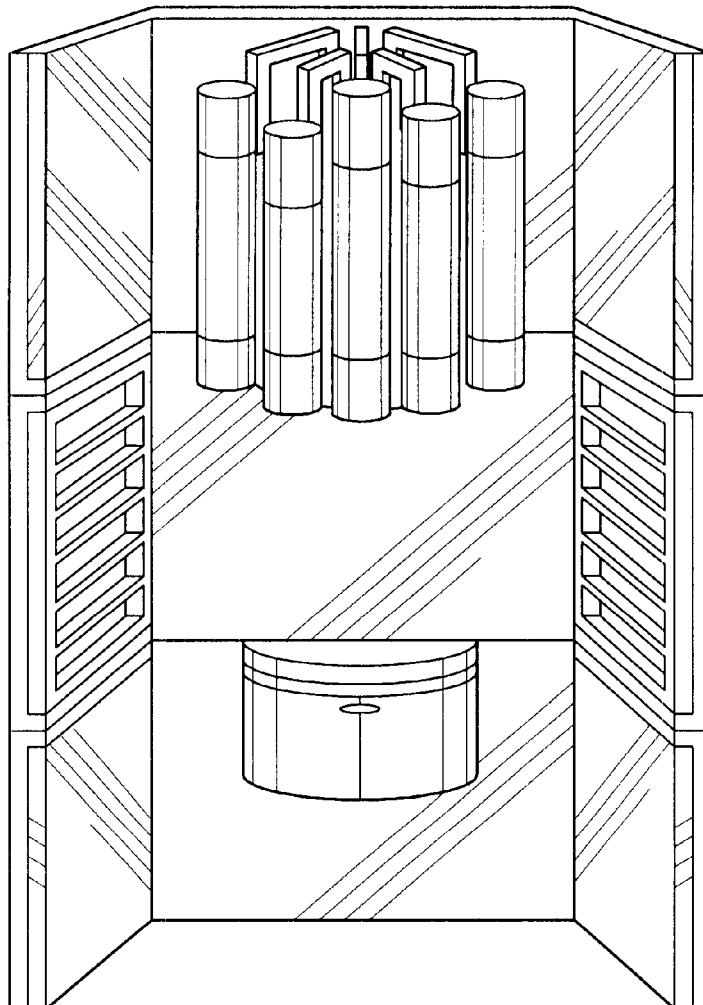
FIG. 1 is a perspective view illustrating the cosmetic dispenser of the present invention;

FIG. 2 is a front elevational view thereof;

FIG. 3 is a top view thereof; and,

FIG. 4 is a bottom view thereof.

1 Claim, 2 Drawing Sheets



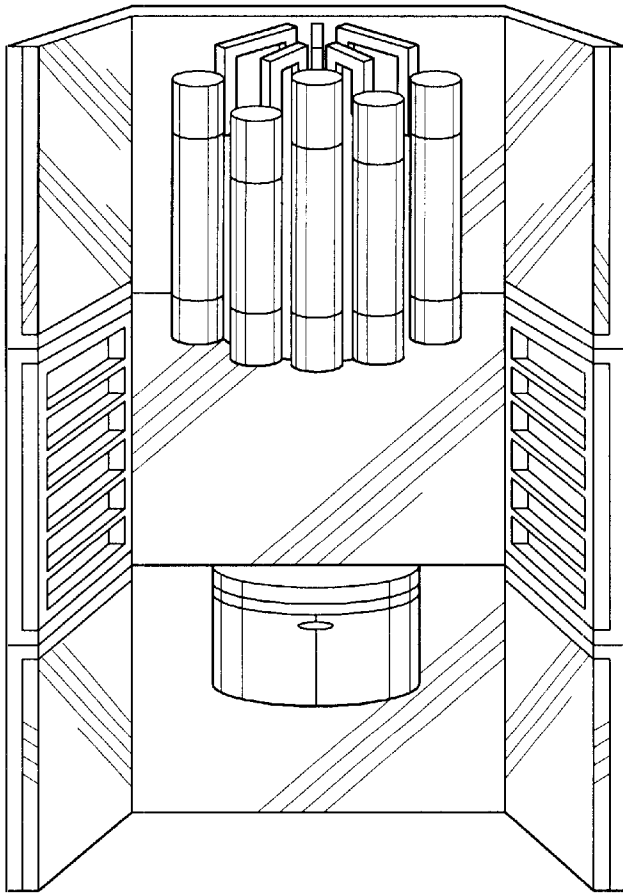


Fig-1

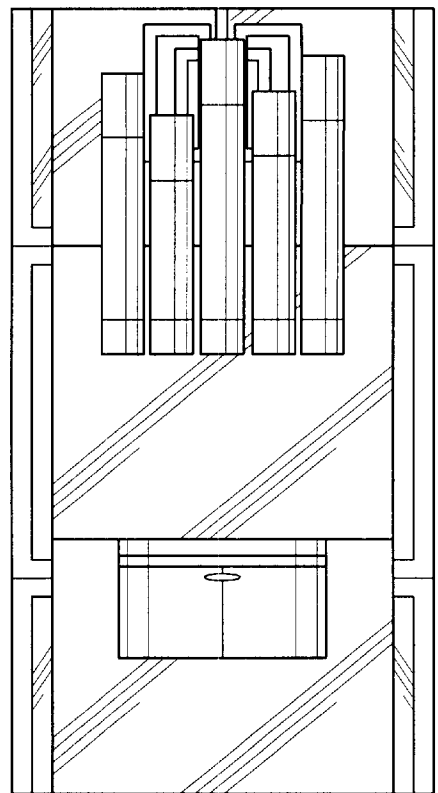


Fig-2

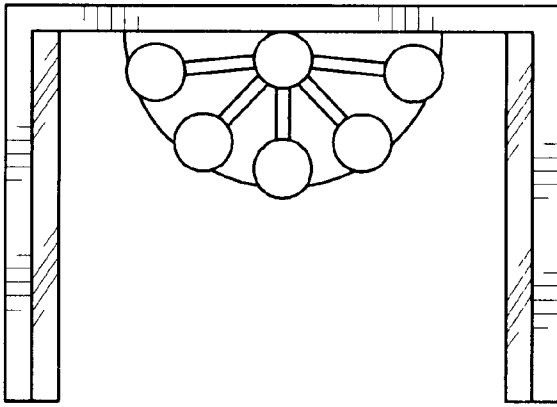


Fig-3

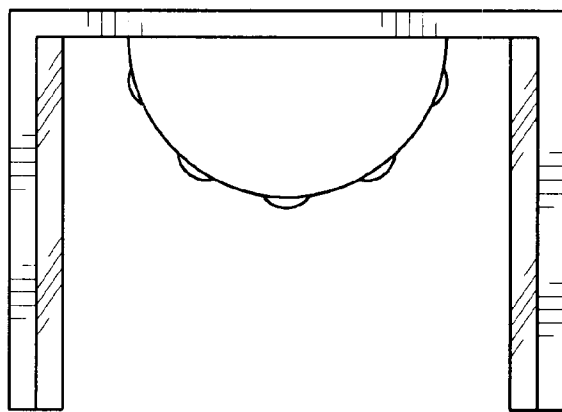


Fig-4