



US00D412640S

United States Patent [19]
Much

[11] **Patent Number: Des. 412,640**

[45] **Date of Patent: ** Aug. 10, 1999**

[54] **CANTEEN LID**

[75] Inventor: **Hubert G. Much**, Calabasas, Calif.

[73] Assignee: **Muetal, Inc.**, Calabasas, Calif.

[**] Term: **14 Years**

[21] Appl. No.: **29/088,837**

[22] Filed: **Jun. 2, 1998**

[51] **LOC (6) Cl.** **07-99**

[52] **U.S. Cl.** **D7/392; D7/392.1**

[58] **Field of Search** **D7/391, 392, 392.1,**
D7/601, 602, 605, 608, 538, 541, 542,
510, 511, 396.2, 6.2, 321, 3.3; D9/503,
435, 440, 445, 446, 447, 454; 220/711,
713, 254

[56] **References Cited**

U.S. PATENT DOCUMENTS

D. 181,199	10/1957	Jocelyn	D7/392 X
D. 221,886	9/1971	Gruett	D7/392 X
D. 275,181	8/1984	Jeffries et al.	D9/447 X
D. 288,667	3/1987	Miner	D9/443
D. 294,325	2/1988	Fiore, Jr.	D7/320
D. 321,624	11/1991	Fiore et al.	D7/321

D. 324,822	3/1992	Brabeck et al.	D9/446 X
D. 355,121	2/1995	Kohl	D9/447
D. 364,810	12/1995	Meisner	D9/446
5,088,614	2/1992	Dumestre	220/713

Primary Examiner—M. N. Pandozzi

Attorney, Agent, or Firm—Kelly Bauersfeld Lowry & Kelley, LLP

[57] **CLAIM**

The ornamental design for a canteen lid, as shown and described.

DESCRIPTION

FIG. 1 is a top and left side perspective view of a canteen lid showing my new design;

FIG. 2 is a front elevational view thereof;

FIG. 3 is a rear elevational view thereof;

FIG. 4 is a right side elevational view thereof;

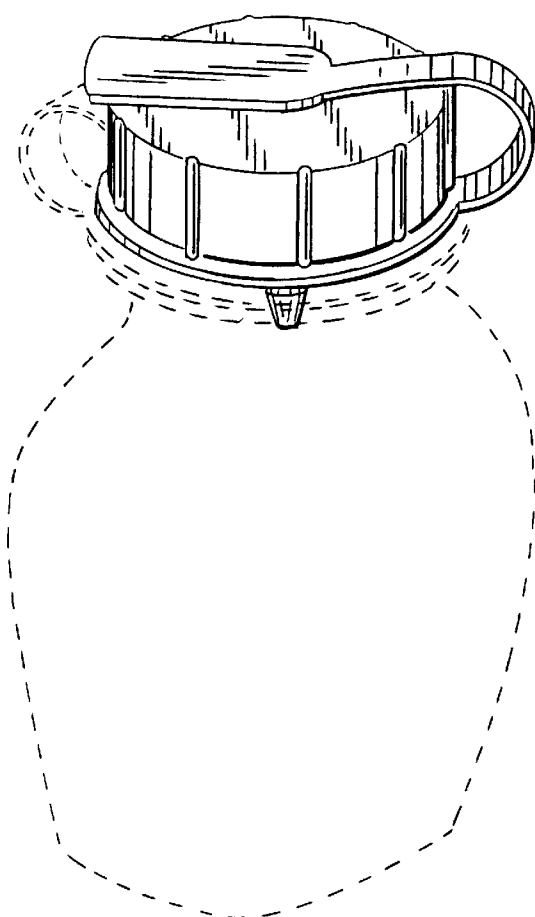
FIG. 5 is a left side elevational view thereof;

FIG. 6 is a top plan view; and,

FIG. 7 is a bottom plan view thereof.

The broken line showing of a canteen in FIG. 1 is for illustrative purposes only and forms no part of the claimed design.

1 Claim, 2 Drawing Sheets



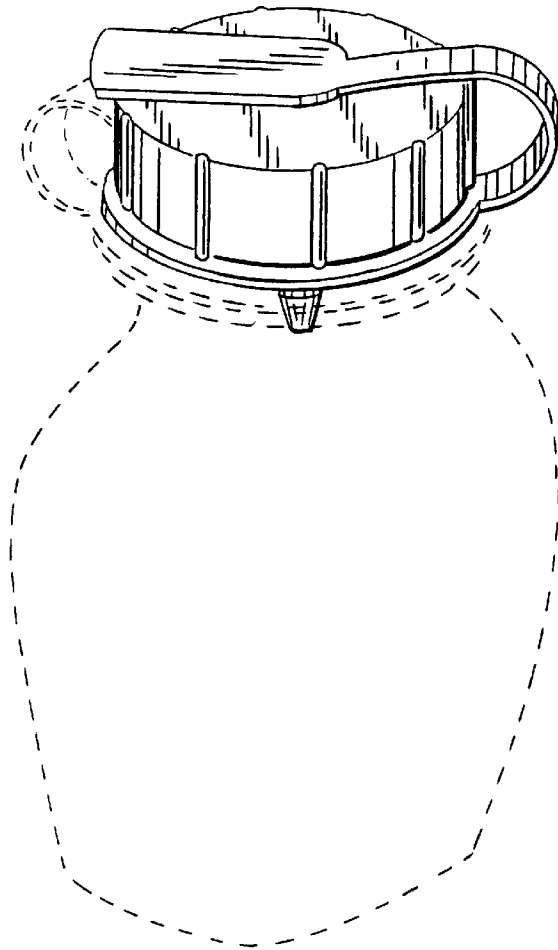


FIG. 1

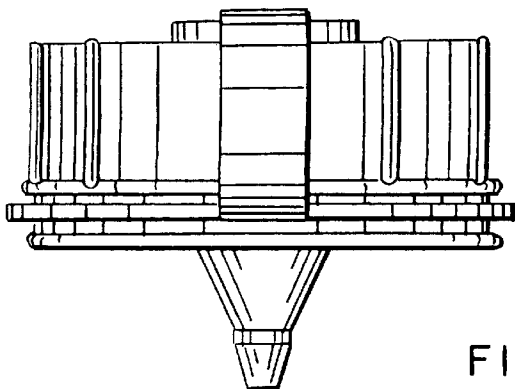


FIG. 3

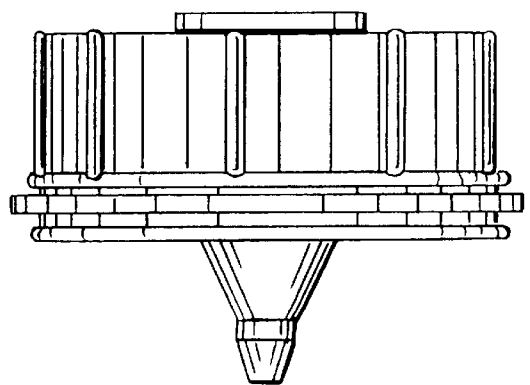


FIG. 2

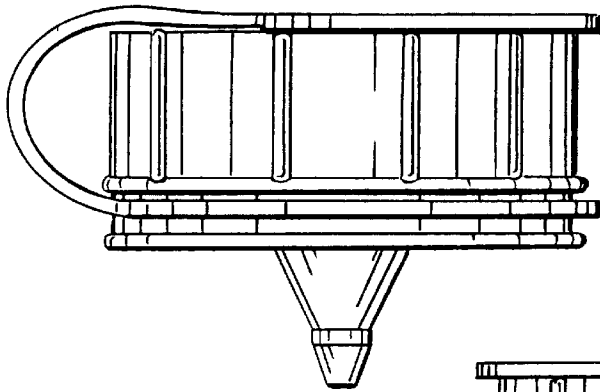


FIG. 4

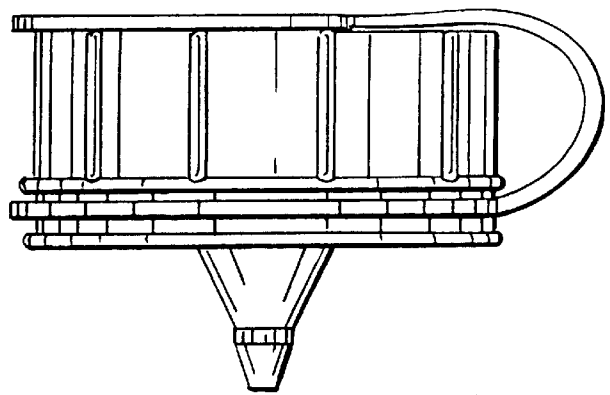


FIG. 5

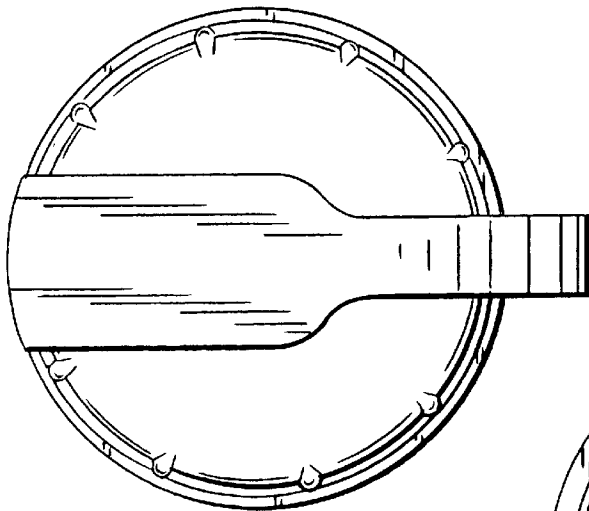


FIG. 6

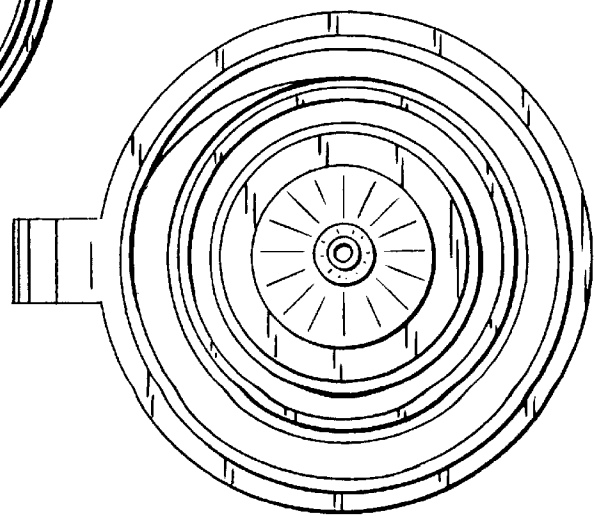


FIG. 7