



US00D402106S

United States Patent [19]

[11] Patent Number: **Des. 402,106**

Buckingham et al.

[45] Date of Patent: ****Dec. 8, 1998**

[54] **MULTIPLE GAME PORTABLE STORAGE CONTAINER**

D. 357,116 4/1995 Lancaster D3/295
5,522,508 6/1996 Pesola 206/315.1

[76] Inventors: **Ronda E. L. Buckingham; David G. Buckingham**, both of 5555-13 A Avenue, Ste. 101, Delta, B.C., Canada, V4M 2E7

Primary Examiner—Philip S. Hyder

[**] Term: **14 Years**

[57] CLAIM

The ornamental design for a multiple game portable storage container, as shown and described.

[21] Appl. No.: **79,328**

[22] Filed: **Nov. 12, 1997**

[51] **LOC (6) Cl.** **03-01**

[52] **U.S. Cl.** **D3/284; D3/295**

[58] **Field of Search** **D3/273, 274, 276, D3/283, 284, 294, 295; 206/315.1, 315.11, 349, 372, 373; 190/110, 111, 112, 113**

DESCRIPTION

FIG. 1 is a front elevational view of the multiple game portable storage container showing our new design; FIG. 2 is a rear elevational view thereof; FIG. 3 is a right side view thereof; FIG. 4 is a left side view thereof; FIG. 5 is a top plan view thereof; and FIG. 6 is a bottom plan view thereof; FIG. 7 is an isometric view thereof, wherein the cover is open and the upper interior tray has been dislodged; FIG. 8 is an isometric view thereof, wherein the cover is open and all of the interior trays have been dislodged; and, FIG. 9 is a fragmentary isometric view of the underside of the upper tray, depicting the grooves which interlink with the lower trays.

[56] References Cited

U.S. PATENT DOCUMENTS

- D. 267,834 2/1983 Yew D3/905
- D. 281,836 12/1985 Sparkman D3/905
- D. 333,487 2/1993 Papp D3/295
- D. 353,047 12/1994 Lackie D3/905

1 Claim, 6 Drawing Sheets

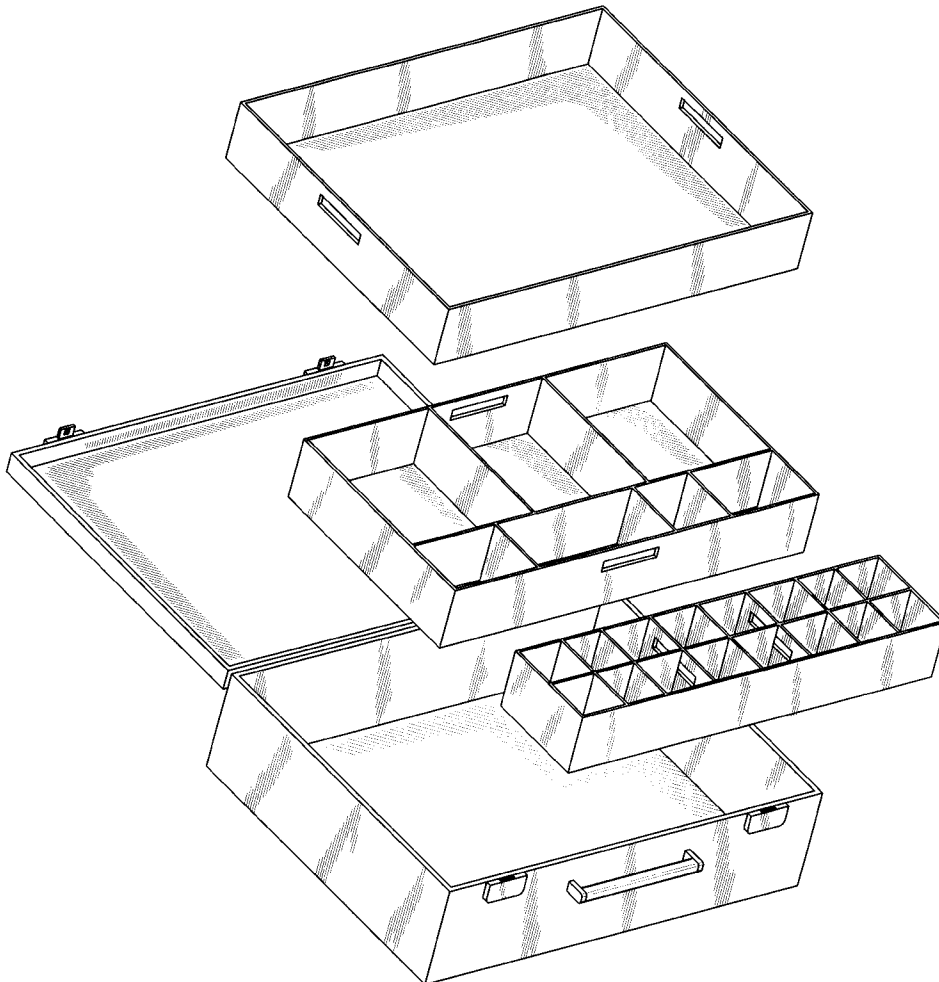


FIG. 1

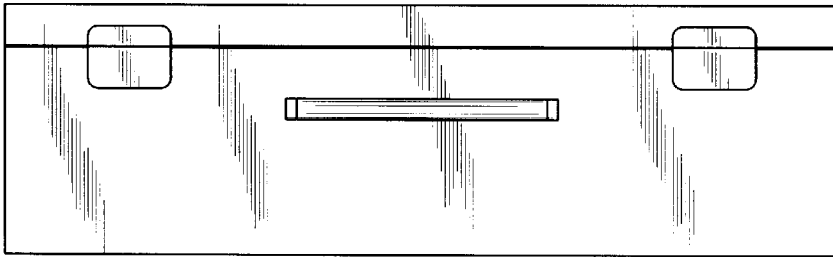


FIG. 2

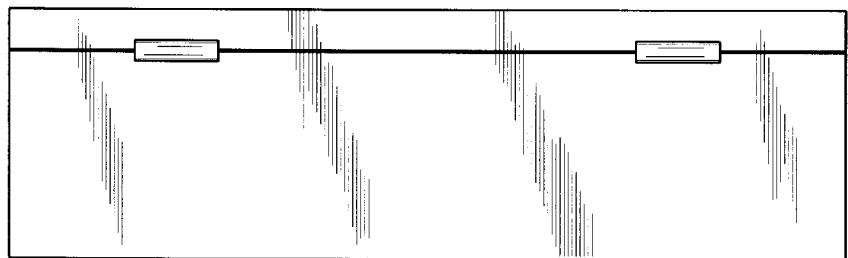


FIG. 3

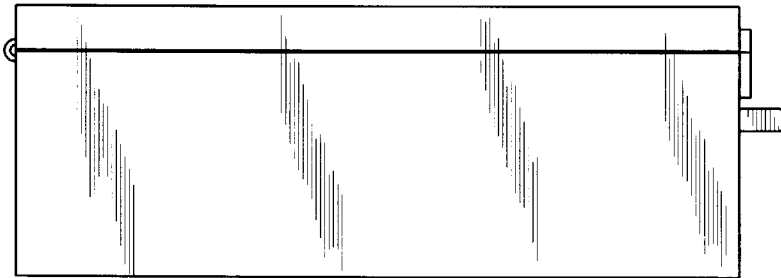


FIG. 4

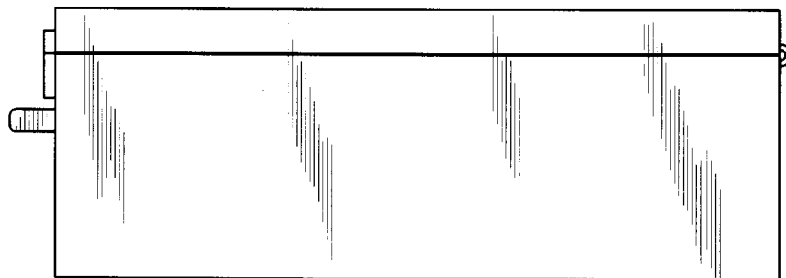


FIG. 5

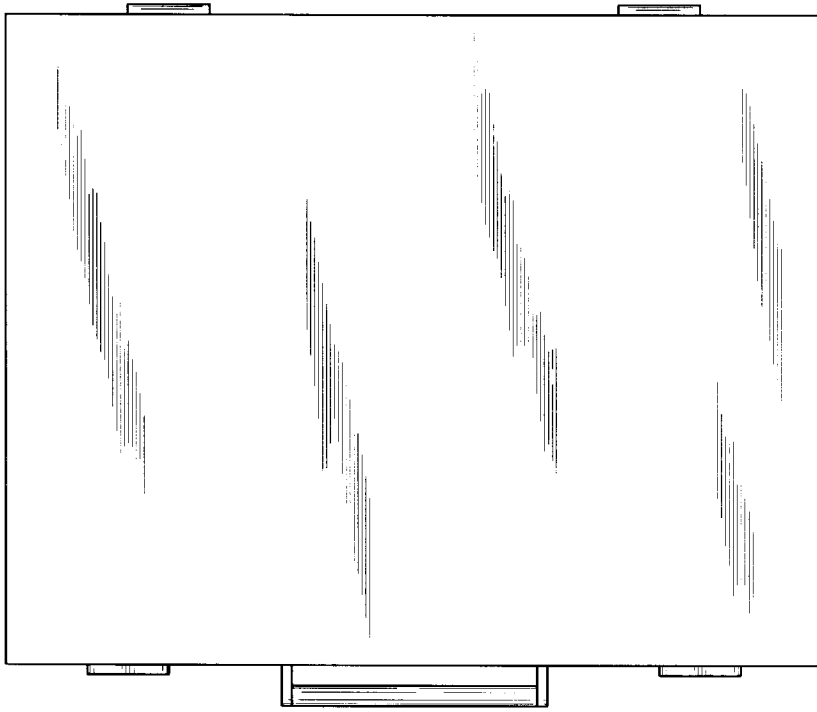


FIG. 6

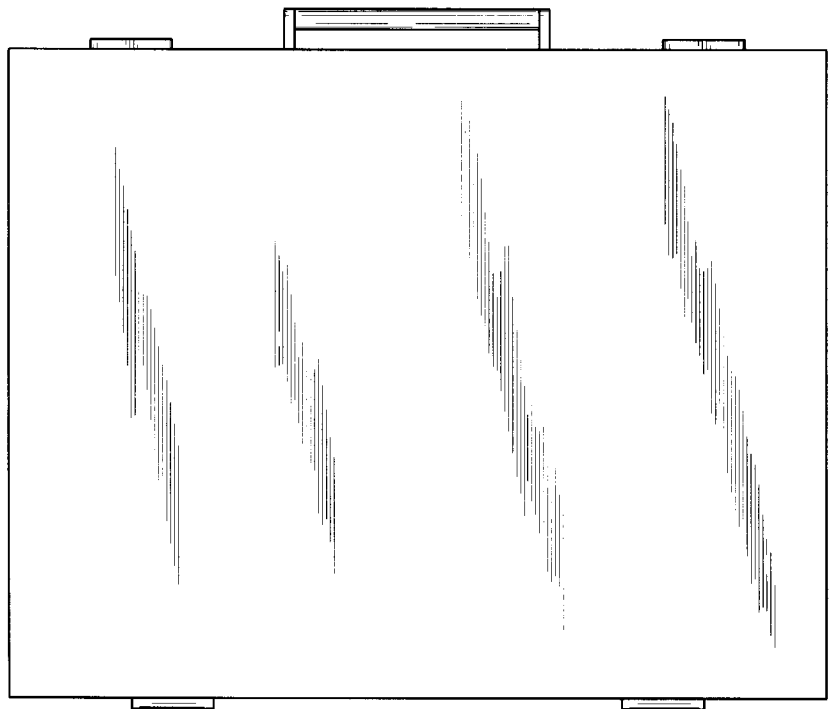


FIG. 7

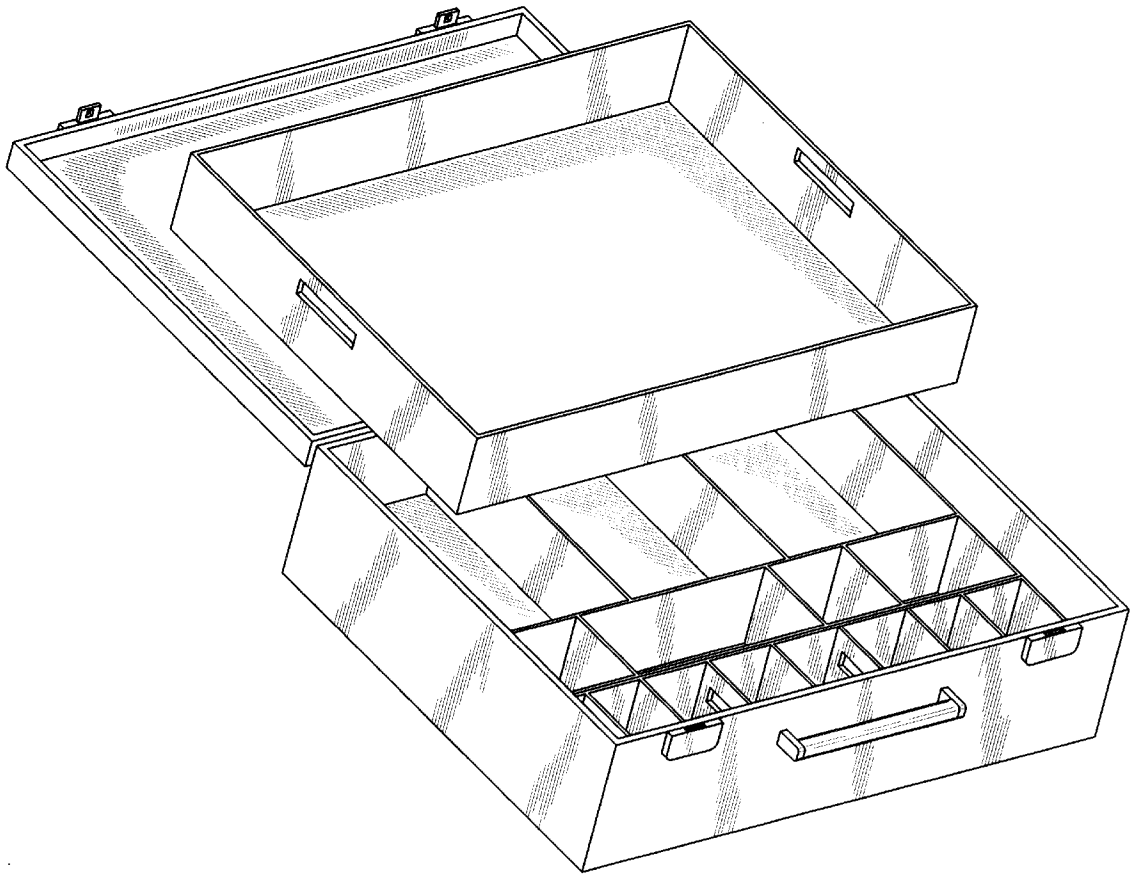


FIG. 8

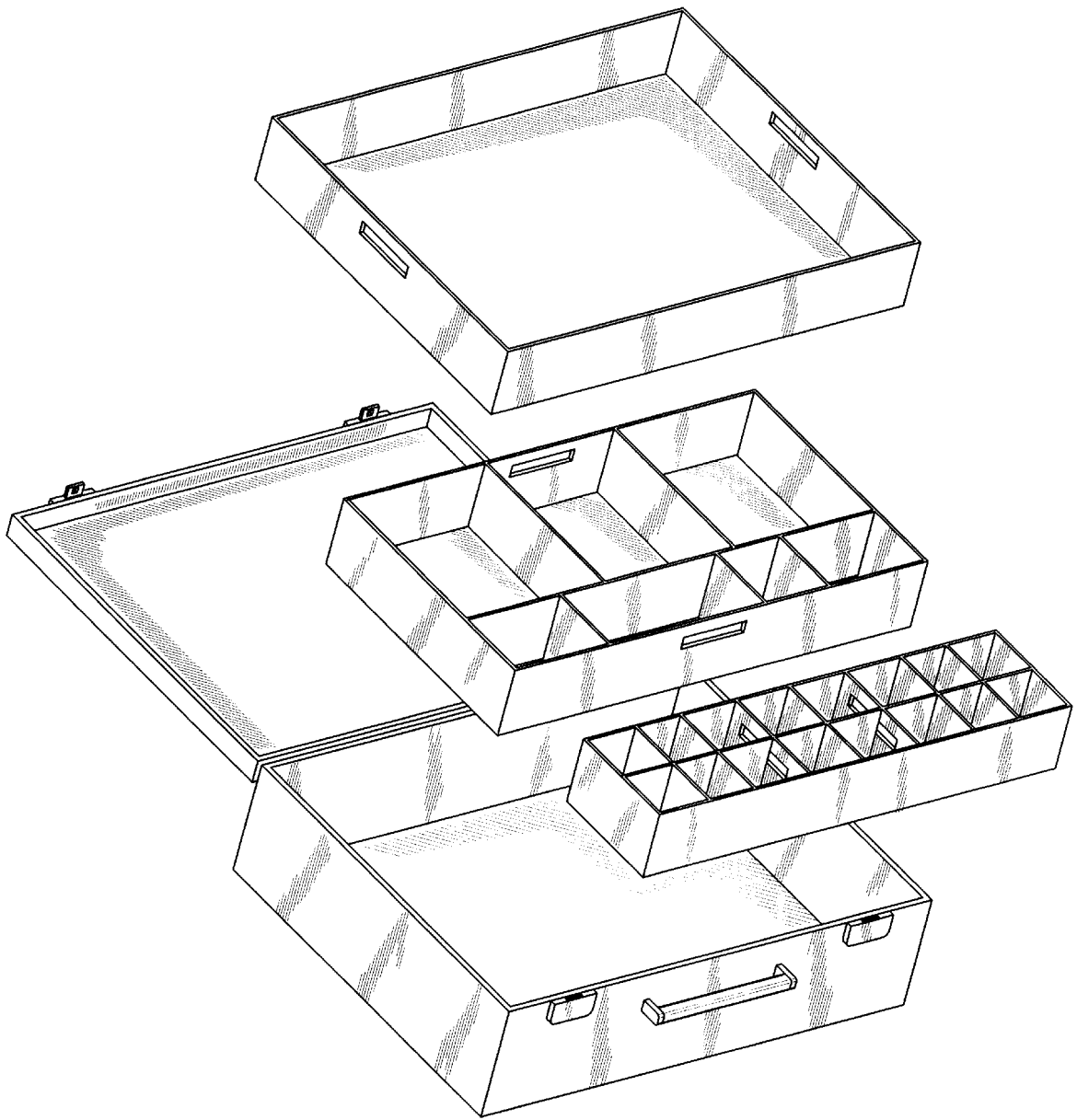


FIG. 9

